

13 TRANSPORT HARDWARE	Pages
Electric Trailer Jockey Wheel / Levelling Stand	2
316SS Hook, Eye & Carabiner	3
Locker / Compartment Latch	3
Hasp & Staples	4
Lifting Eye Bolts	5
316SS Slide "Tower" Bolt	5
Spring Bolts	6 - 8
Antiluce, "Anti-rattle", "Drop" Locks	9
Tie Down Lashing Rings	10
Rubber Bonnet Latches	10
Rubber Door / Ramp Stoppers & Mushroom Buffers	11
Door Retainers "Hold Backs"	11 - 14
Emergency Hammers	15
Truck / Container "Cam Lock" Door Locking Kits - Surface Mount	16 - 20
Truck / Container "Cam Lock" Door Locking Kits - Recessed Mount	21 - 22

13 TRANSPORT HARDWARE



TRANSPORT HARDWARE

ELECTRIC JOCKEY WHEEL & ACCESSORIES

FEATURES:

- 1590kg 12V DC 20A Electric jack
- Push button Up/Down control
- Powder coated rust-resistant construction
- Sturdy base - greater stability
- Acme rolled inner screw thread
- Motor protected with 20A fuse
- IP54

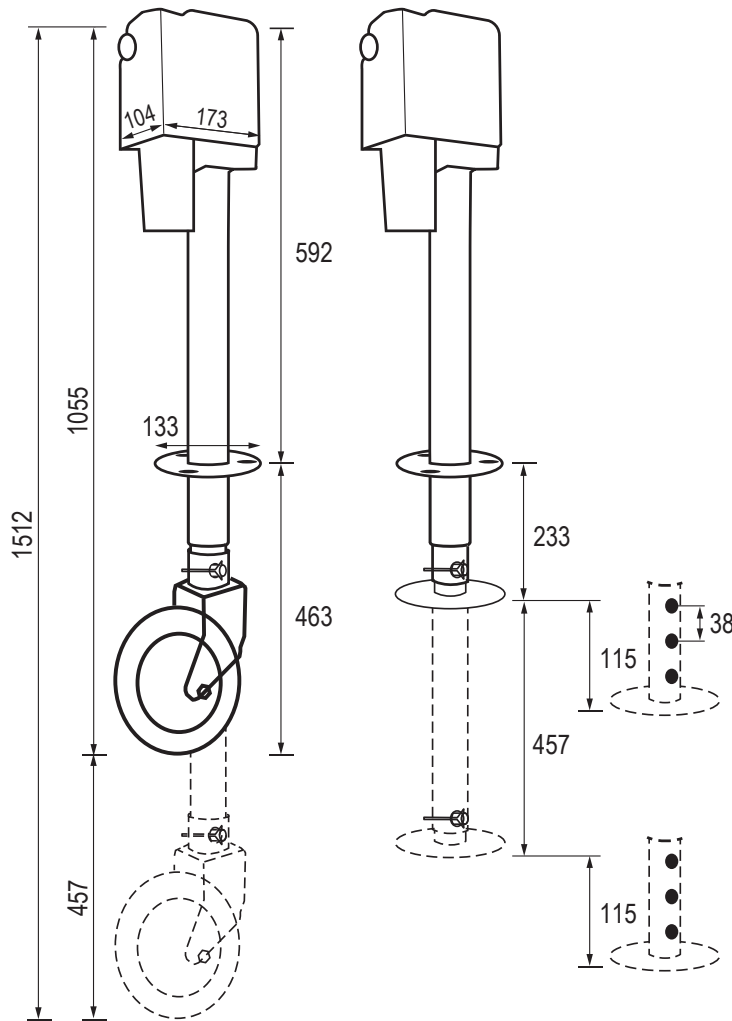
DIMENSIONS:

Load capacity = 1590kg

Travel (Lift) = 457mm

Weight = 11.7kg

Wheel size = \varnothing 200mm (680kg Max)



TK-JW-3205



TK-DBB



TK-LF

Code	Description
TK-JW-3205	12V DC 20A 1590kg 18" Lift Electric Jack. 200Dia x 50mm Jockey Wheel 680kg Max
TK-LF	Levelling foot attachment with 4 holes for quick height adjustment up to 115mm
TK-DBB	Draw bar bracket for attaching jockey wheel

Note: Specifications can change from time to time without notice.
Cut-outs & construction should only be done with the products onsite.

SELECTLOK
NEW ZEALAND LTD

TRANSPORT HARDWARE

HOOK, EYE & CARIBINER TIE OFF BRACKETS

MARINE GRADE 316 STAINLESS STEEL

- Tie off points for rope and bungys for boat covers, sun shades, trailers, etc
- 316 Stainless steel suitable for use in marine environments



DX316-HOOK



DX316-EYE



DX316-CARIBINER

Code	Base (mm)	Gap For Rope	Holes (mm)
DX316-HOOK	27 x 27	6mm H	M4 CSK
DX316-EYE	35 x 30	10mm Dia	M5 CSK
DX316-CARIBINER	36 x 30	11mm H	M4 CSK

COMPARTMENT LATCHES

ZINC ALLOY & MARINE GRADE 316 STAINLESS STEEL

- Surface mount locker / cabinet latch
- Zinc alloy / chrome or 316 Stainless steel



90042
Zinc alloy



94042-316
316 Stainless steel suitable for use in marine environments

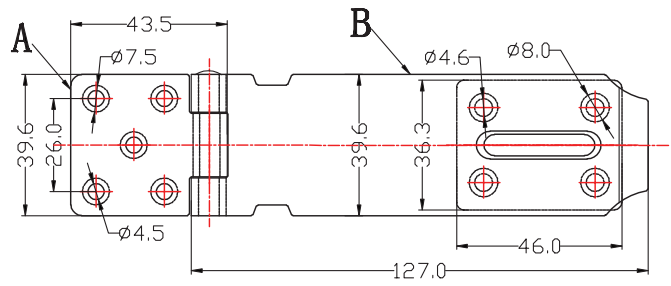
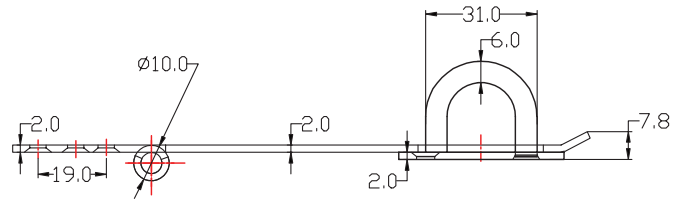


Code	Description	Material	Dimensions	Fixing method
90042	Compartment latch	Zinc / Chrome	45Dia x 12H	4xM4 CSK Holes
94042-316	Compartment latch	316 S/Steel	50Dia x 19H	4xM4 CSK Holes

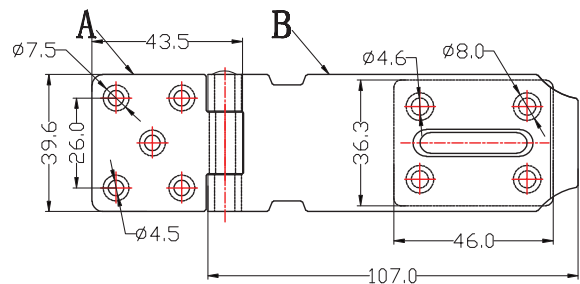
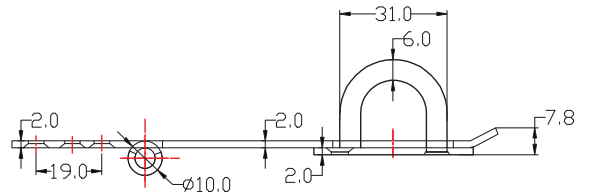
TRANSPORT HARDWARE

HASP & STAPLE PADLOCKABLE STAINLESS STEEL

- 304 Stainless Steel Hasp and Staple
- Padlockable



HS-01SS



HS-02SS

Code	Description	Dimensions
HS-01SS	Large hasp & staple	39.6W x 127H
HS-02SS	Small hasp & staple	39.6W x 107H

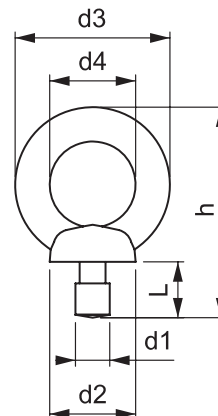
TRANSPORT HARDWARE

TRANSPORT HARDWARE

LIFTING EYE BOLTS

STEEL

- Creates easy lifting / moving of enclosures, machines and trailer bodies, cages and covers



M-2455



M-2453



M-2452



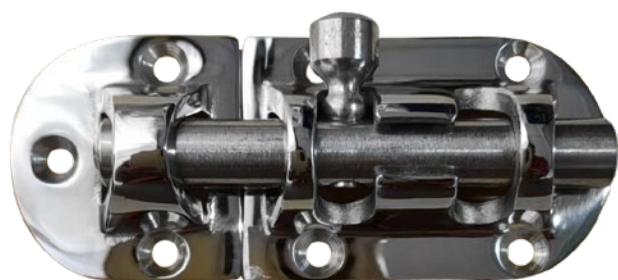
M-2451

Code	Thread (mm)	Safe Load at 90° (kg)	d2 (mm)	d3 (mm)	d4 (mm)	h (mm)	L (mm)	Material / Finish
M-2451	M8	140	20	36	20	49	13.0	Steel / Zinc
M-2452	M10	230	25	45	25	63	17.0	Steel / Zinc
M-2453	M12	340	30	54	30	73.5	20.5	Steel / Zinc
M-2455	M16	700	35	63	35	89	27.0	Steel / Zinc

SLIDE BOLT

MARINE GRADE 316 STAINLESS STEEL

- Free moving slide ("tower") bolt
- Suitable for latching doors, cupboards, lockers
- Suitable for use in marine applications



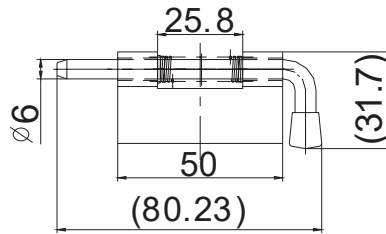
Code	Pin Ø (mm)	Material / Finish	Fixing
DX316-SB-90	10	316 S/steel	6xM4 Holes

TRANSPORT HARDWARE

SPRING BOLT 6mm

STAINLESS STEEL

- Mini 6mm spring bolt with plate for welding or drill and bolt on

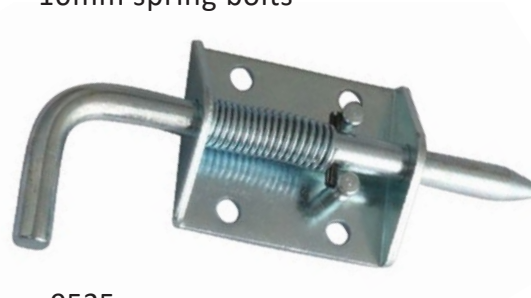


Code	Pin Ø (mm)	Material / Finish
152104-S	6	304 S/steel

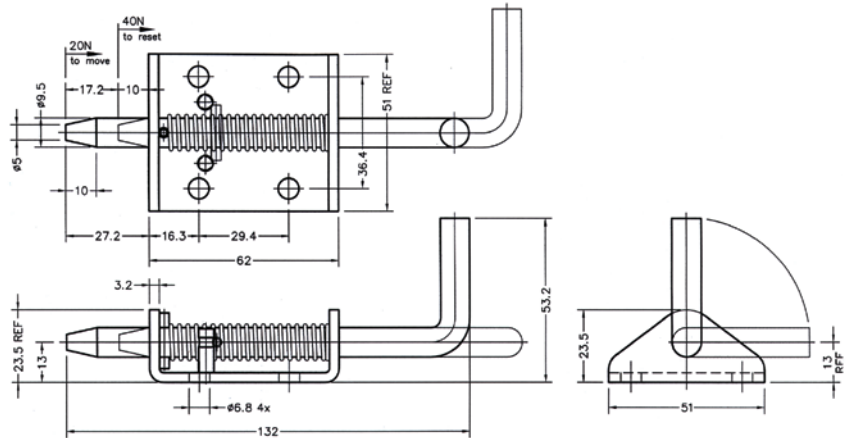
SPRING BOLT 10mm

STEEL

- 10mm spring bolts



9535



9535-1

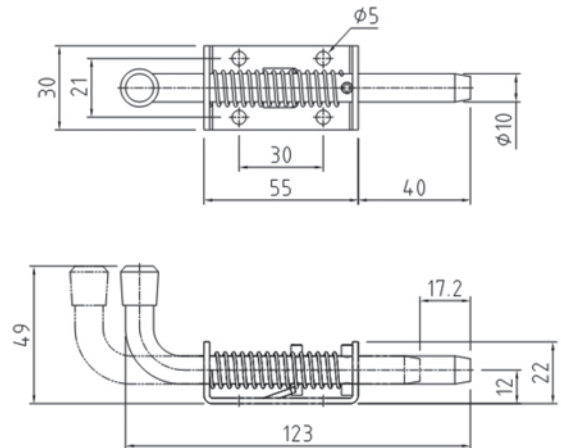
Code	Pin Ø (mm)	Pin Retracted (mm)	Pin Extended (mm)	Material / Finish
9535	9.5	34	51	Steel / Zinc
9535-1	9.5	10	27	Steel / Zinc

TRANSPORT HARDWARE

SPRING BOLT 10mm

STAINLESS STEEL

- 10mm Spring bolt



Code	Pin Ø (mm)	Material / Finish
152103-S	10	304 S/steel

SPRING BOLT 12mm

STEEL & STAINLESS STEEL

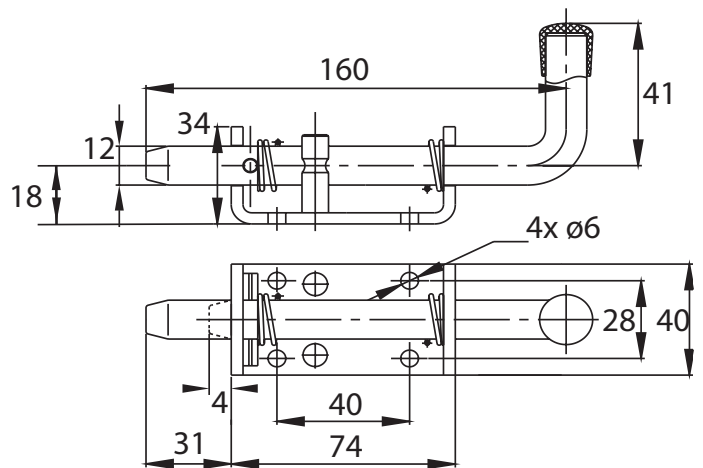
- Heavy duty 12mm spring bolts



9156



9156-SS

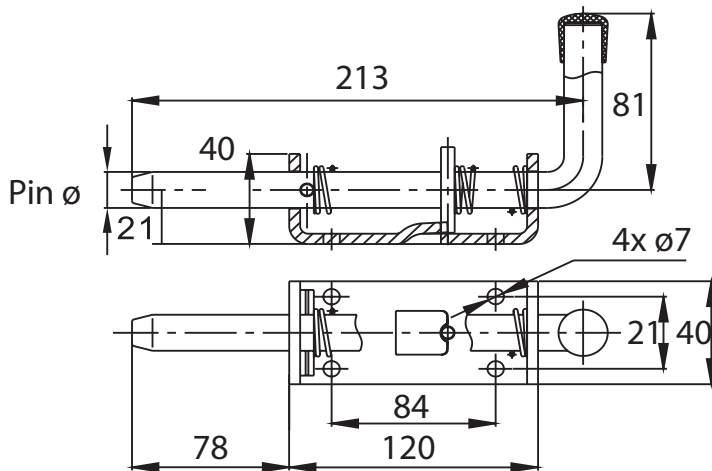


Code	Pin Ø (mm)	Material / Finish
9156	12	Steel / Zinc
9156-SS	12	304 S/Steel

TRANSPORT HARDWARE

SPRING BOLT - 12mm & 16mm STEEL & STAINLESS STEEL

- Heavy duty 12 & 16mm spring bolts



Code	Pin Ø (mm)	Material / Finish
152020	16	Steel / Zinc
152030	12	Steel / Zinc
152030-S	12	304 S/steel

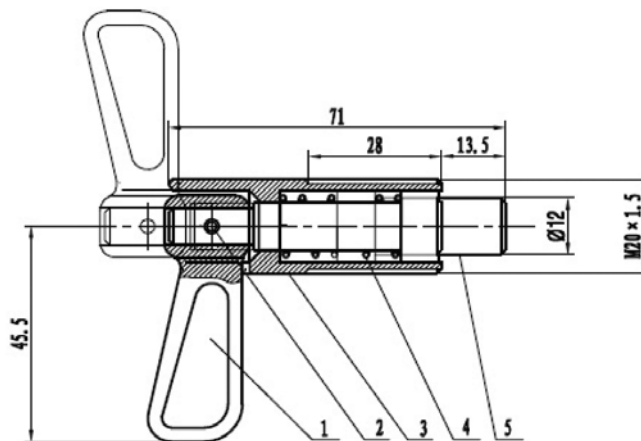
LIFT & TURN SPRING BOLT - 12mm STEEL

- Heavy duty 12mm pistol type lift & turn spring bolt



152081

HN-M20X1.5-ZP



Code	Description	Pin Ø (mm)	Material / Finish
152081	Spring bolt	12	Steel / Zinc
F-HN-M20X1.5-ZP	M20 Hex Half Nut		Steel / Zinc

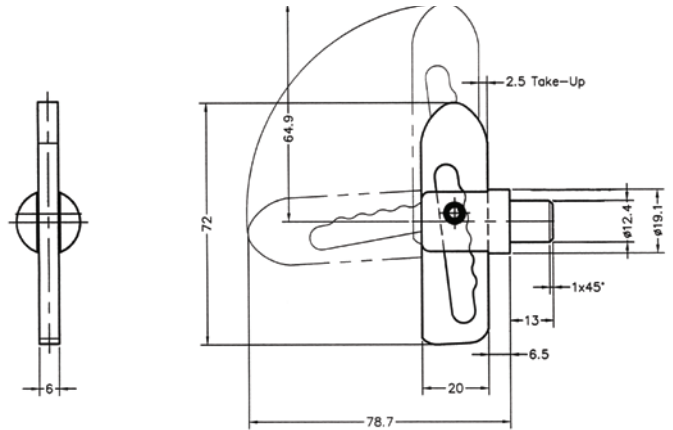
Note: Specifications can change from time to time without notice.
Cut-outs & construction should only be done with the products onsite.

SELECTLOK
NEW ZEALAND LTD

TRANSPORT HARDWARE

ANTILUCE - WELD ON STEEL

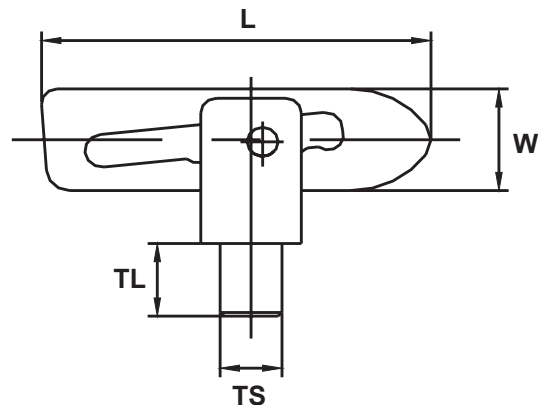
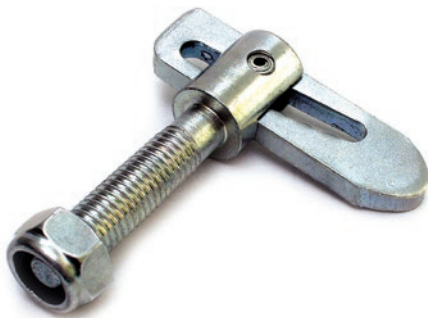
- Antiluce with 12mm stub for welding



Code	Stub / Boss Length (mm)
9777	12

ANTILUCE - BOLT ON STEEL

- Four sizes of threaded anti-luce
- Supplied with nyloc nut



Code	TS	TL (mm)	L (mm)	W (mm)
153040	M8	21	50.5	14
9716-21	M12	21	73.5	21
9716-25	M12	25	73.5	21
9716-35	M12	35	73.5	21
9716-62	M12	62	73.5	21
9716-72	M12	72	73.5	21

TRANSPORT HARDWARE

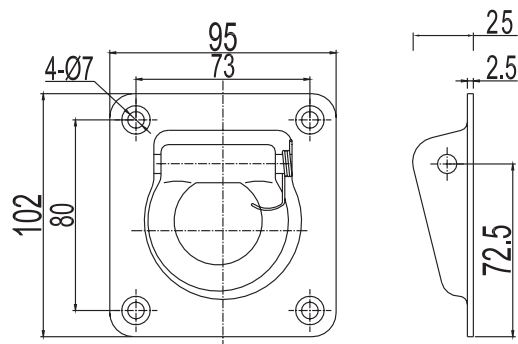
LASHING RINGS

STEEL & STAINLESS STEEL



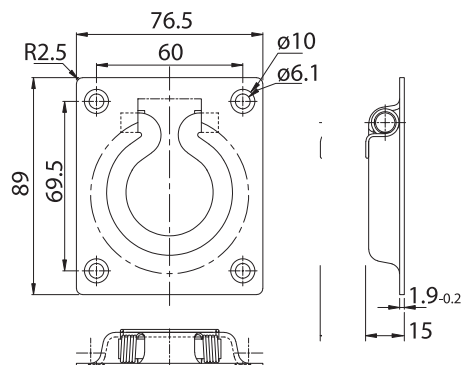
058000 & 058000S

Heavy duty spring loaded lashing ring



92005S

Medium duty spring loaded lashing ring

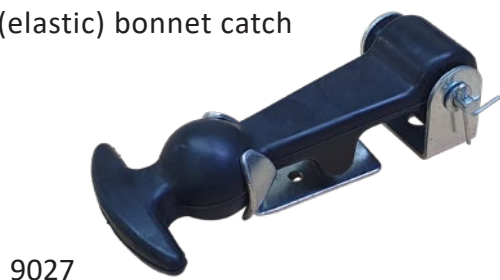


Code	Description	Breaking Load	Material / Finish
058000	Heavy Duty Lashing Ring	2000kg	Steel / Zinc
058000S	Heavy Duty Lashing Ring	2000kg	304 S/steel
92005S	Medium Duty Lashing Ring	800kg	304 S-steel

BONNET CATCH

STEEL & STAINLESS STEEL

- Rubber (elastic) bonnet catch



9027



9027S



Code	Material / Finish	Dimensions
9027	Rubber & Steel / Zinc	123L x 59W x 35H
9027S	Rubber & 304 S/steel	123L x 80W x 35H

Note: Specifications can change from time to time without notice.
Cut-outs & construction should only be done with the products onsite.

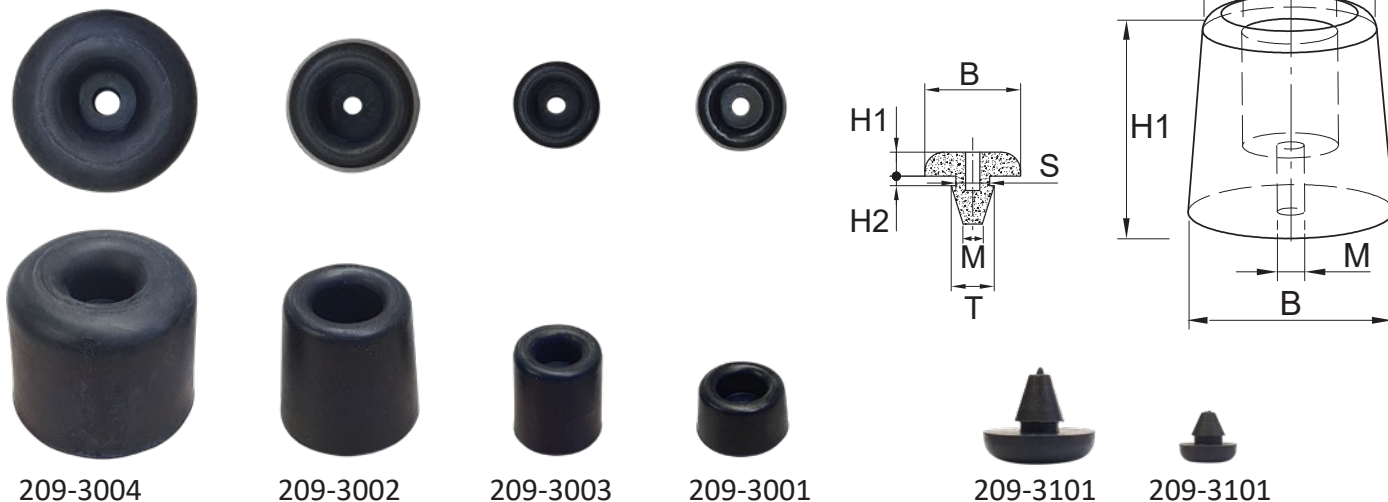
SELECTLOK
NEW ZEALAND LTD

TRANSPORT HARDWARE

DOOR / RAMP STOPPERS

RUBBER BUMPERS & MUSHROOM BUFFERS

- Rubber bump stoppers to protect doors and ramps from impact



Code	Description	B Ø (mm)	T Ø (mm)	H1 (mm)	H2 (mm)	S Ø (mm)	M Ø (mm)
209-3004	40Dia x 32H Rubber bumper	40	38	3	NA	13	6
209-3002	30Dia x 30H Rubber bumper	30	25	30	NA	14	4
209-3003	20Dia x 23H Rubber bumper	20	19	22.5	NA	10	4
209-3001	20Dia x 10H Rubber bumper	20	18	12	NA	10	4
209-3101	20Dia x 15H Mushroom bumper	20	9	5	2	7	4
209-3102	10Dia x 9H Mushroom bumper	10	6	3	1.5	5	2

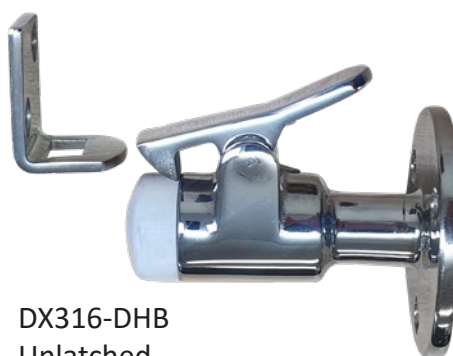
DOOR STOP & HOLD BACK

MARINE GRADE 316 STAINLESS STEEL

- Door stop and hold back latch
- Slam type snib gives automatic hold open latching. Easy push lever to release door
- Marine grade stainless steel suitable for boats and coastal properties



DX316-DHB
Latched



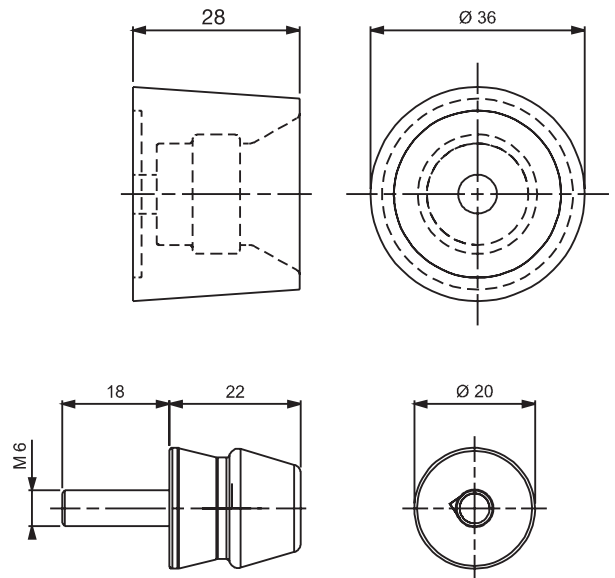
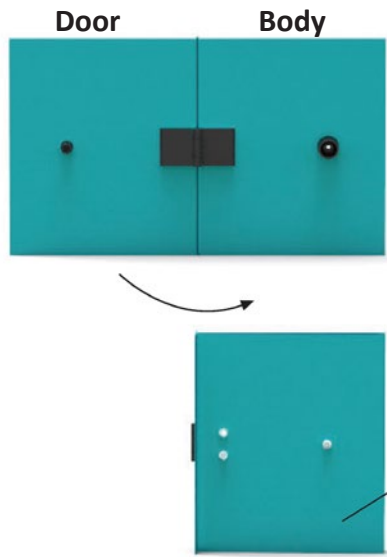
DX316-DHB
Unlatched

Code	Dimensions (mm)	Description	Material
DX316-DHB	50Dia x 60L	Door hold back latch	316 S/Steel

TRANSPORT HARDWARE

DOOR HOLD BACK FRICTION DOOR RETAINER RUBBER

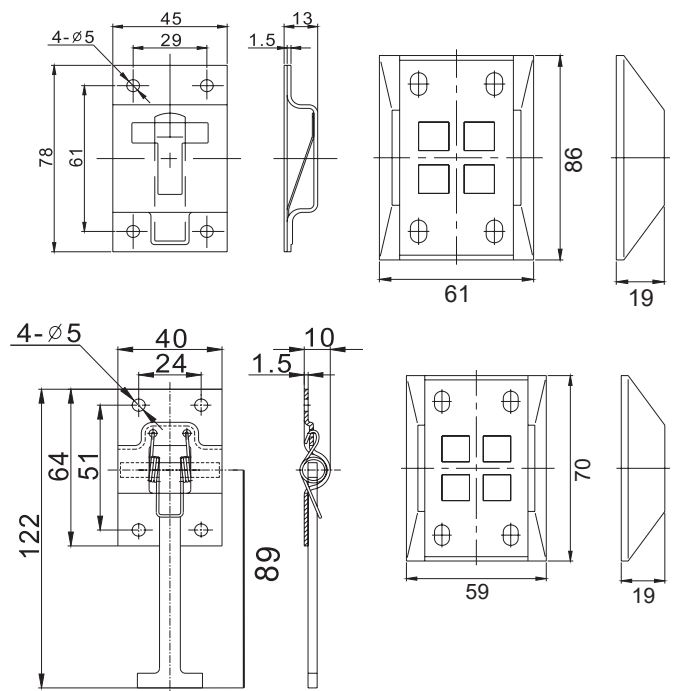
- Rubber door holder
- Offers some shock absorption
- Good corrosion resistance for outdoor cabinets
- Generators, compressors, machinery covers



Code	Material / Finish
M-340.08.001	NBR Rubber / Black

DOOR HOLD BACK SPRING LOADED DOOR RETAINER STAINLESS STEEL

- Popular vehicle door holder
- 304 Stainless steel



Code	Description
6564-4-SS	Door retainer

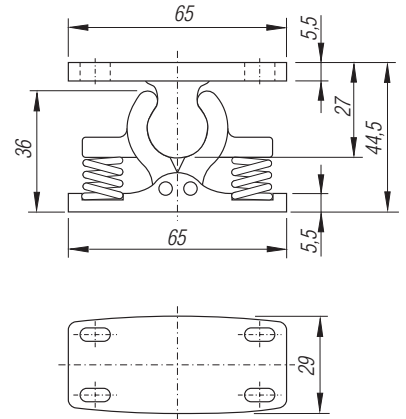
TRANSPORT HARDWARE

TRANSPORT HARDWARE

DOOR HOLD BACK

SPRING LOADED DOOR RETAINER PLASTIC

- White plastic door holder
- Stainless steel spring
- Elongated (10x5mm) fixing holes for easy alignment during installation
- Hole centres 50W x 17H

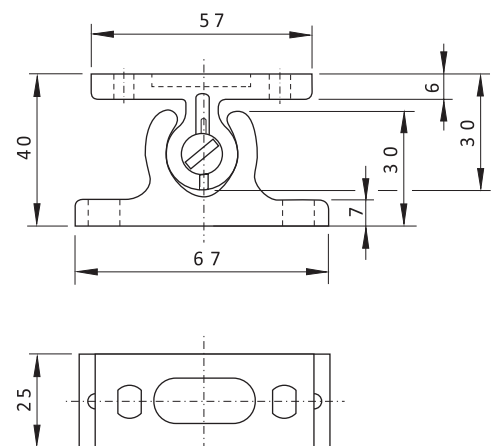


Code	Description
631800	Door retainer

DOOR HOLD BACK

ADJUSTABLE FRICTION DOOR RETAINER PLASTIC

- White or black plastic door holder
- Stainless steel spring
- Screw to adjustable holding friction



Code	Description	Colour
DR555-WH	Door retainer	White
DR555-BLK	Door retainer	Black

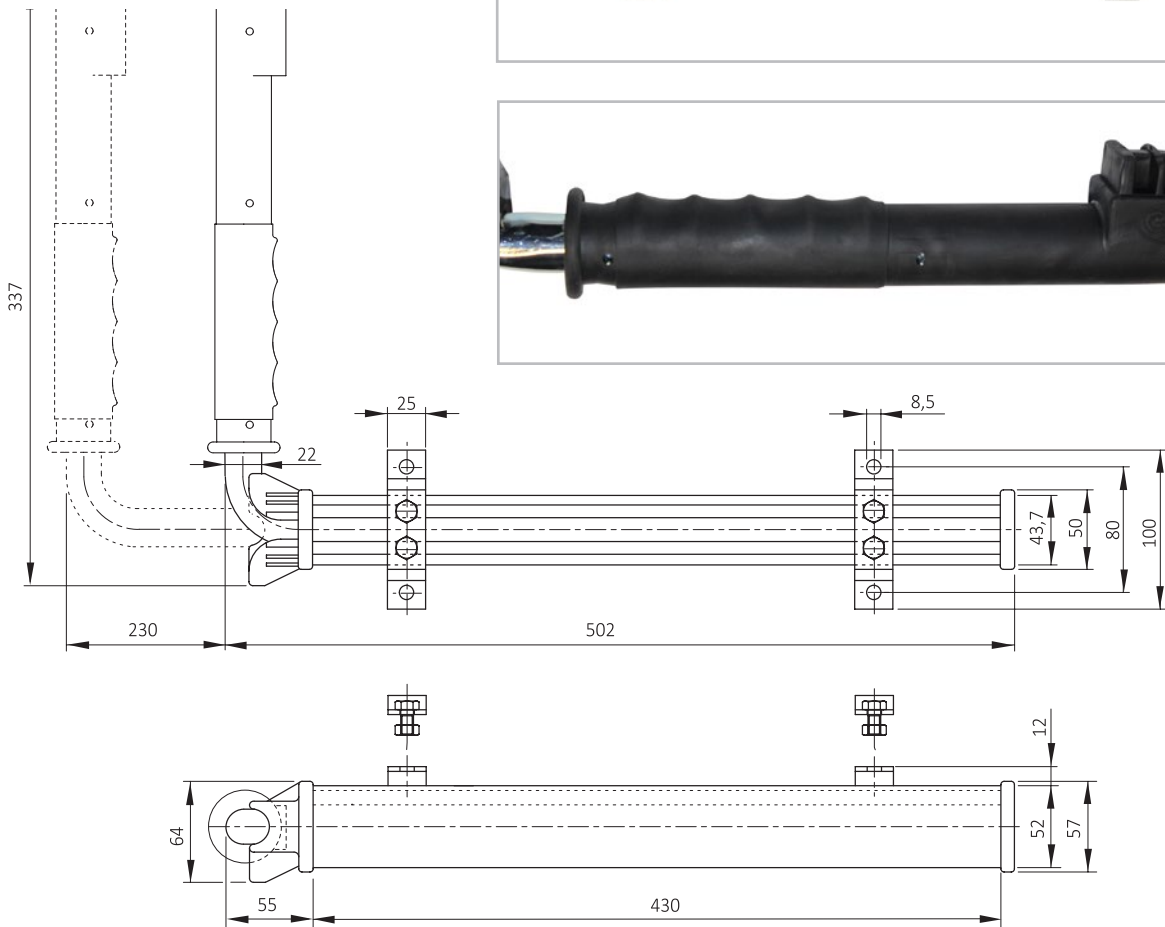
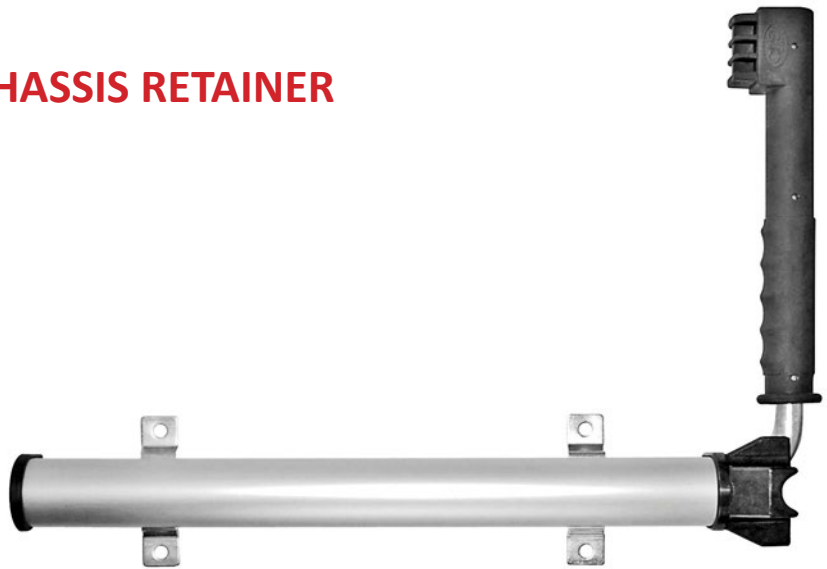
TRANSPORT HARDWARE

DOOR HOLD BACK

SPRING LOADED UNDER CHASSIS RETAINER

ALUMINIUM / STEEL

- Profile - anodised aluminium
- End covers - plastic
- End cover screws - stainless steel
- Spring - stainless steel
- Arm - galvanised steel
- Cover on arm - black rubber
- Fixing brackets - galvanised steel



Code	Material / Finish
631901	Aluminium / Anodised, Steel / Galvanised

Note: Specifications can change from time to time without notice.
Cut-outs & construction should only be done with the products onsite.

SELECTLOK
NEW ZEALAND LTD

TRANSPORT HARDWARE

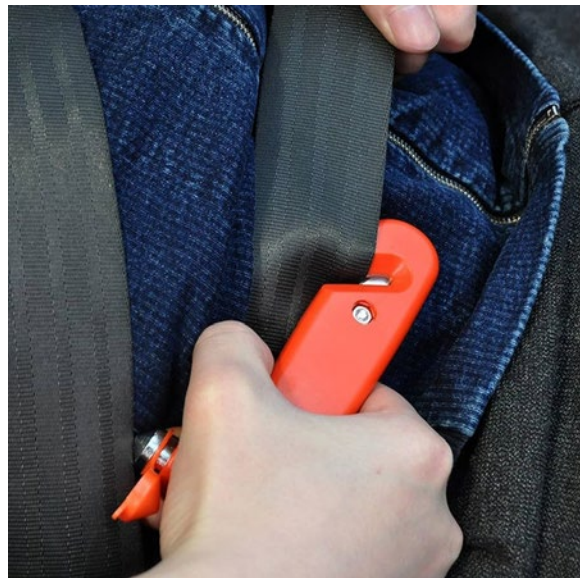
EMERGENCY HAMMERS

WINDOW HAMMER / SEAT BELT CUTTER / ALARM

- Must have safety equipment for all vehicles
- Multi-function window hammer features:
 - Window hammer
 - Seat belt cutter
 - Alarm to prevent misuse (e.g. school bus)



HM6650
Seat belt cutter
Window Hammer



Seat belt cutter to release passenger in emergency vehicle crash or fire



HM6656
Seat belt cutter
Window Hammer
Anti-tamper alarm / Locator alarm



Glass breaking hammer to release passenger in emergency vehicle crash or fire

Code	Features
HM6650	Hammer / Belt cutter
HM6656	Hammer / Belt cutter / Anti-Tamper alarm

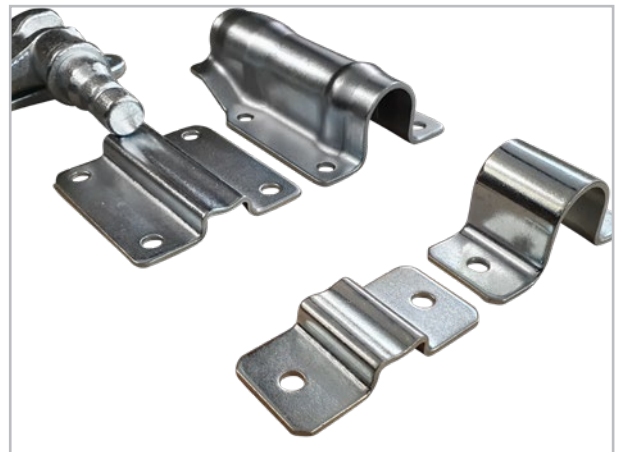
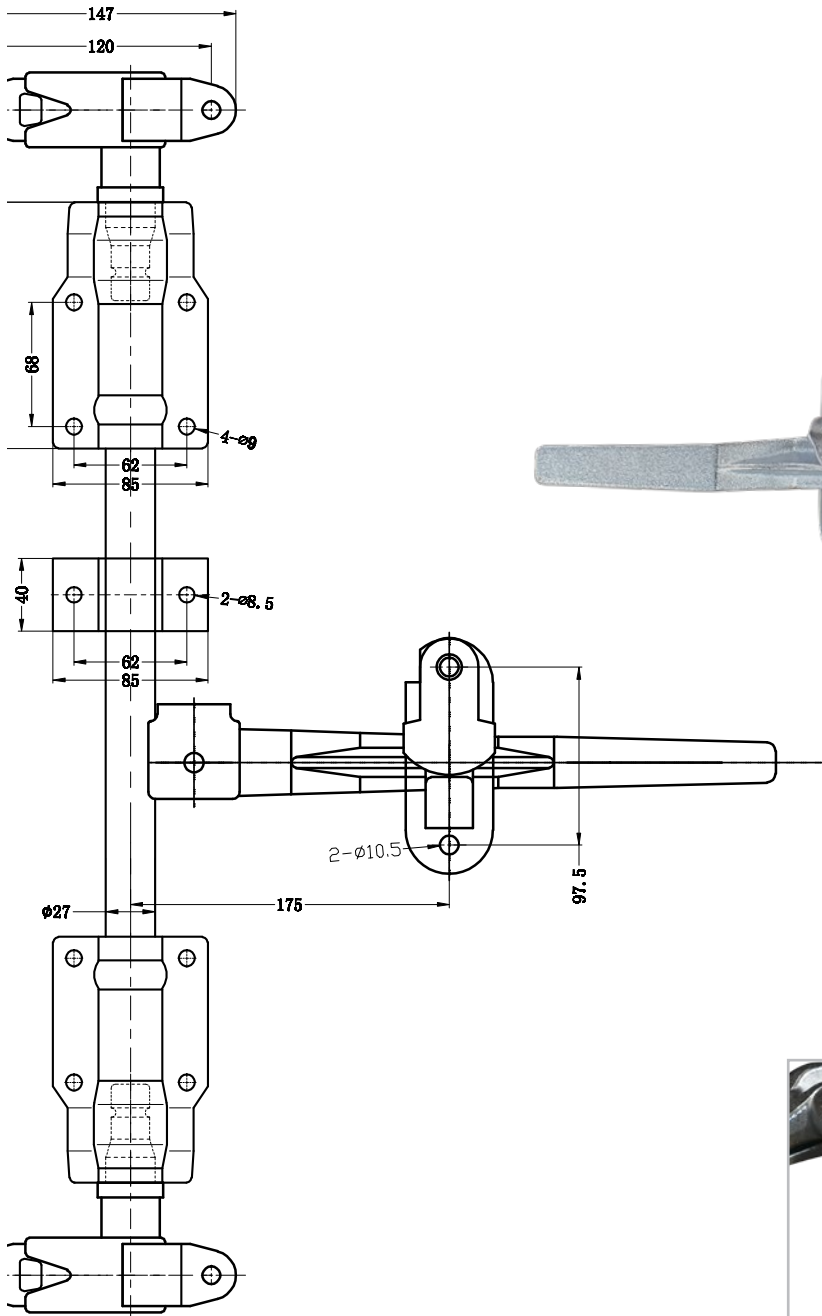
TRANSPORT HARDWARE

CAM LOCK KIT - EXTERNAL 27mm

STRAIGHT HANDLE

STEEL

- To suit 27mm OD tubing (not included)
- Straight handle



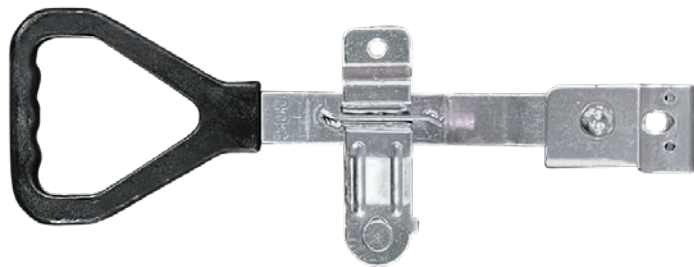
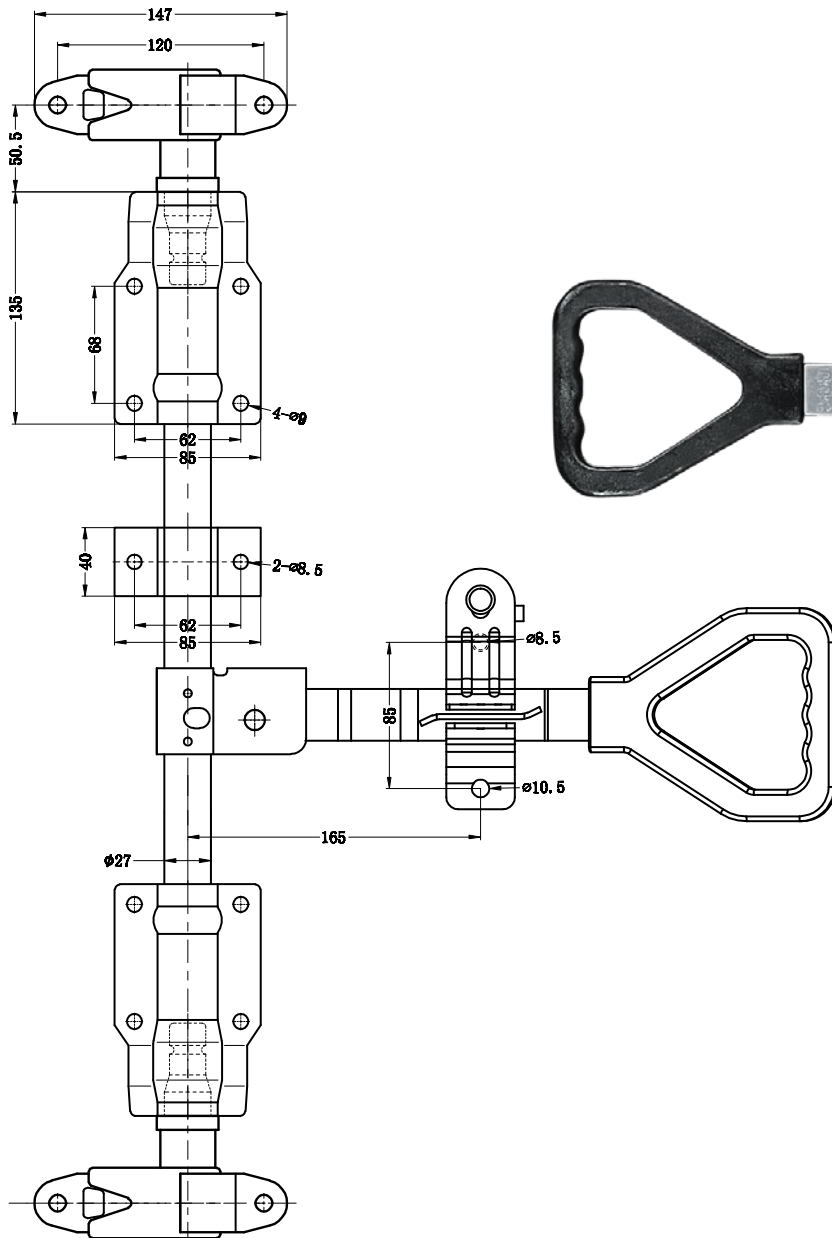
Code	Handle Type	Material / Finish	Tube OD (mm)
372831	Straight handle	Steel / Zinc	27

TRANSPORT HARDWARE

CAM LOCK KIT - EXTERNAL 27mm D HANDLE

STEEL & STAINLESS STEEL

- To suit 27mm OD tubing (not included)
- D Handle



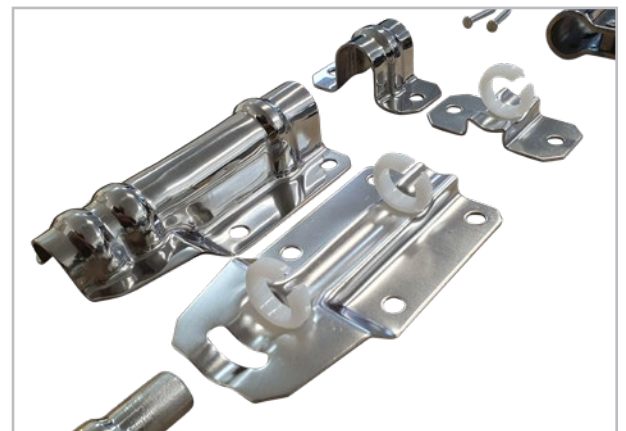
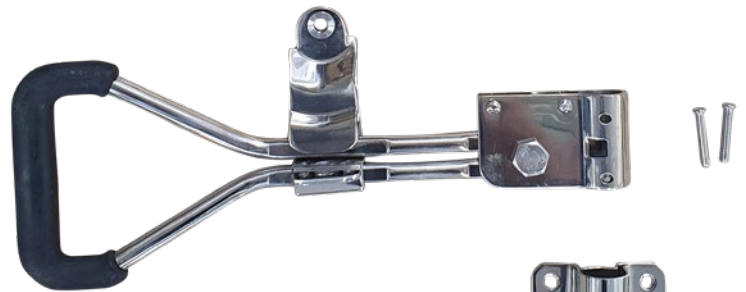
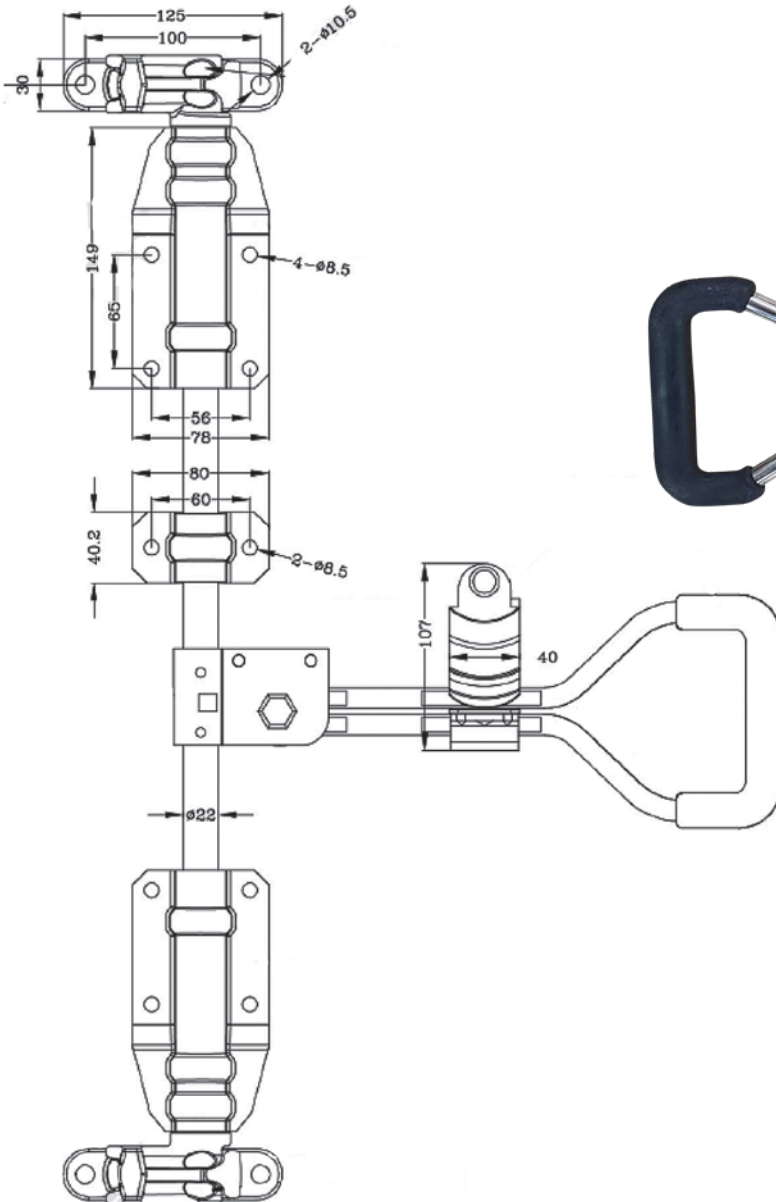
Code	Handle Type	Material / Finish	Tube OD (mm)
372854	D-Handle	Steel / Zinc	27
372854S	D-Handle	304 S/Steel	27

TRANSPORT HARDWARE

CAM LOCK KIT - EXTERNAL 22mm D HANDLE

STAINLESS STEEL

- To suit 22mm OD tubing (not included)
- D handle



Code	Handle Type	Material / Finish	Tube OD (mm)
254717	D-Handle	Steel / Zinc	22
254717S	D-Handle	304 S/Steel	22

Note: Specifications can change from time to time without notice.
Cut-outs & construction should only be done with the products onsite.

SELECTLOK
NEW ZEALAND LTD

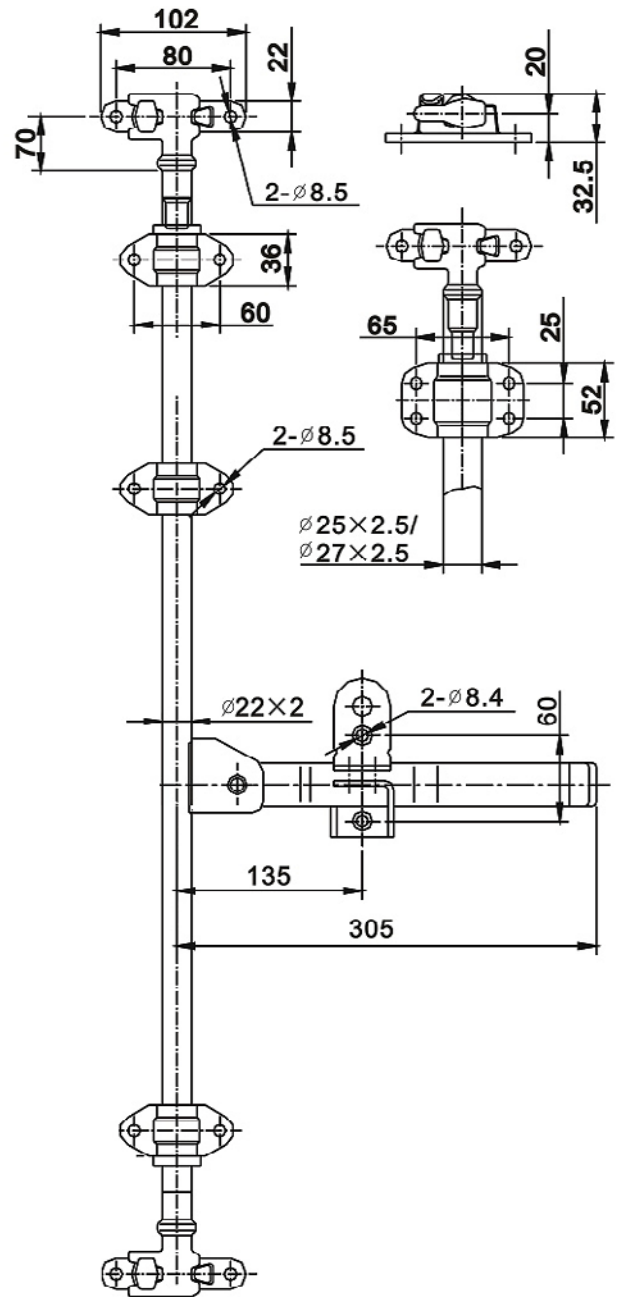
TRANSPORT HARDWARE

CAM LOCK KIT - EXTERNAL 21mm

STRAIGHT HANDLE

STEEL

- To suit 21mm OD tubing (not included)
- Straight handle

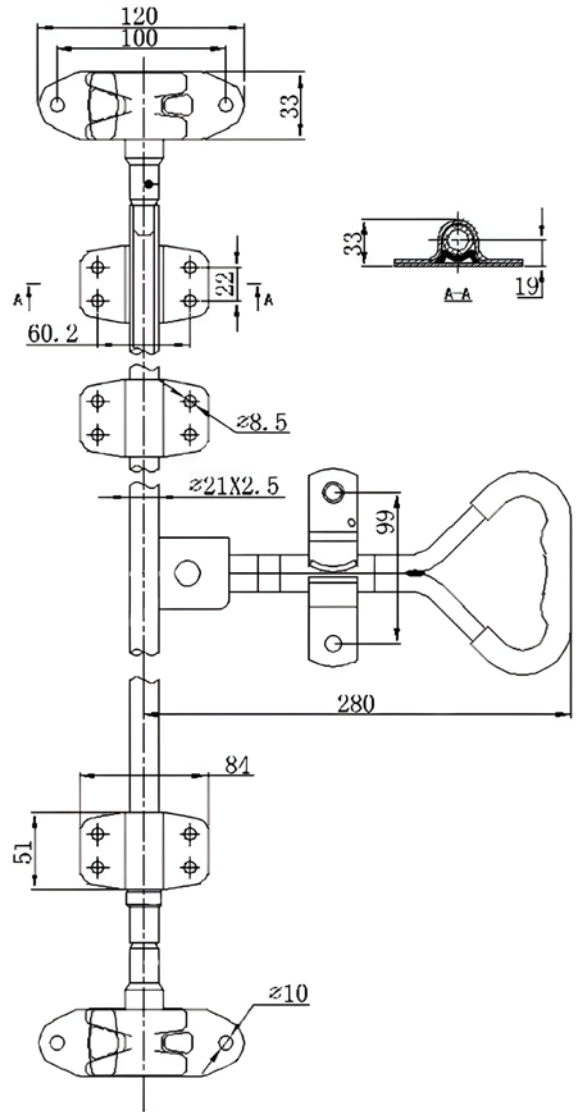


Code	Handle Type	Material / Finish	Tube OD (mm)
010500	Straight handle	Steel / Zinc	21

TRANSPORT HARDWARE

CAM LOCK KIT - EXTERNAL 21mm D HANDLE STEEL

- To suit 21mm OD tubing (not included)
- D Handle



Code	Handle Type	Material / Finish	Tube OD (mm)
010500H	D-Handle	Steel / Zinc	21

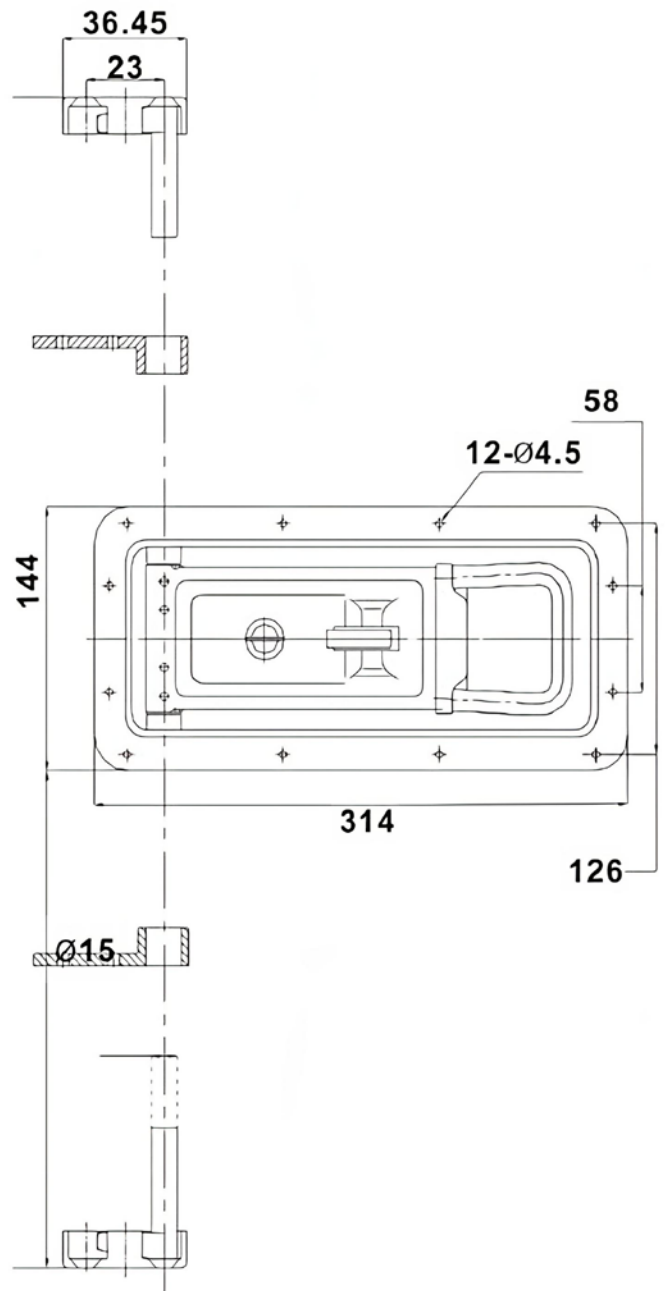
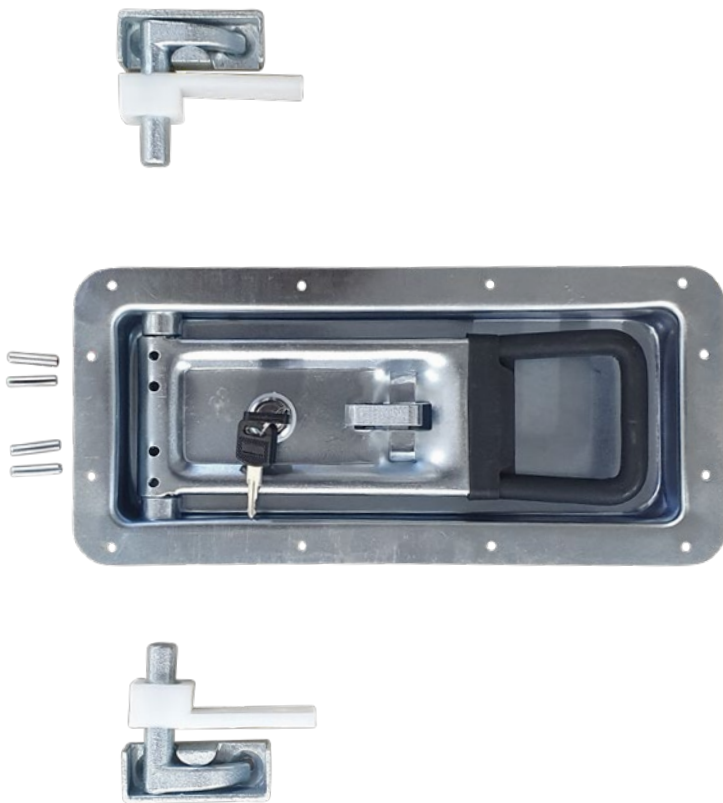
TRANSPORT HARDWARE

TRANSPORT HARDWARE

CAM LOCK KIT - INTERNAL / FLUSH

STEEL & STAINLESS STEEL

- To suit 16mm OD tubing (not included)
- Flush Handle - recessed dish



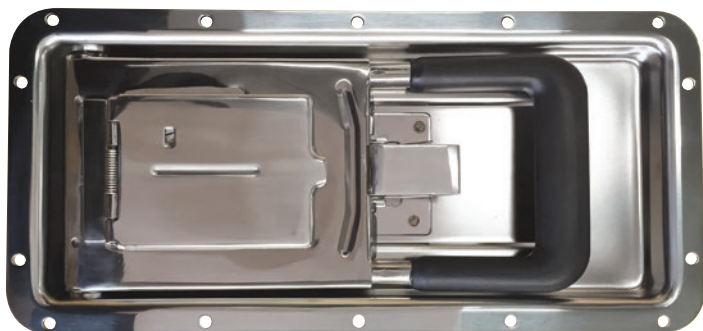
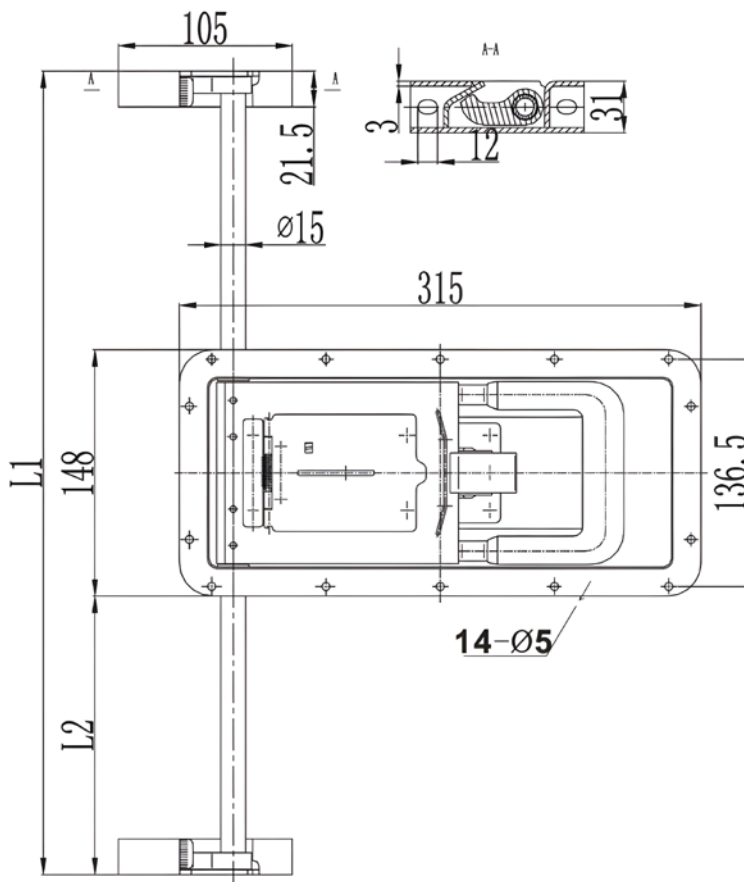
Code	Handle Type	Material/Finish	Tube OD (mm)
011400	Recessed	Steel Zinc	16

TRANSPORT HARDWARE

CAM LOCK KIT - INTERNAL / FLUSH

STAINLESS STEEL

- To suit 16mm OD tubing (not included)
- Flush Handle - recessed dish
- Keylock access behind spring loaded cover plate



Code	Handle Type	Material/Finish	Tube OD (mm)
162505A-S	Recessed	304 S/Steel / Polished	16