

<b>21</b>	<b>MARINE PRODUCTS</b>	<b>Pages</b>
	316SS Flush Pull Ring Latches	2 - 3
	316SS Mini High Security Tubular Key Quarter Turn	3
	316SS Over Centre Hasp & Staple Latch	3
	316SS Pull / Grab Handles	4
	316SS Flush Folding T Handle Latch	4
	316SS Quarter Turn Cylinder Lock	5
	316SS Quarter Turn Wing Handle: Non-Locking, Locking & Padlockable	5
	Marine Edge Protection Rubber	6
	316SS Folding Table / Seat Bracket	6
	316SS L & T Handles: Non-Locking, Locking & Padlockable	7
	316SS Compartment Latch	8
	316SS Hinges: Flush Deck, Pintle, Lift Off, Butt	8 - 11
	Stainless Steel Drawer Slides	11
	Earth & Neutral Bars	11
	316SS Gas Struts & Accessories	12
	Jump Solar Lithium Battery Jump Start Kits	13
	316SS Hook, Eye & Caribiner, Slide (Tower) Bolt & Slam Latch	14
	316SS Door Hold Back & Hatch / Cover Stay	15

## 21 MARINE PRODUCTS



# MARINE PRODUCTS

## FLUSH PULL RING SLAM LATCHES

### SPRING LOADED CAM

### 316 STAINLESS STEEL

- See Section 6: 2

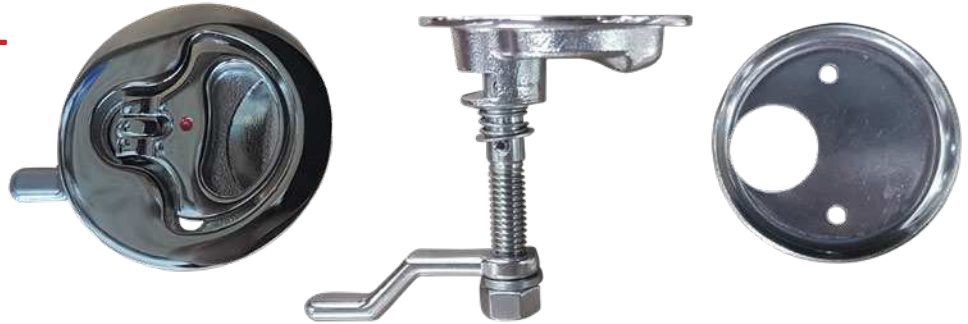


Code	Type	Front Face	Overall Height	Min Panel Thick (mm)	Max Panel Thick (mm)	Cam H-Dimension	Mounting Type
DX316-M1	Locking	61Dia x 3H	38	12	20	25	4x M5
DX316-M1-NL	Non-Locking	61Dia x 3H	38	12	20	25	4x M5

# MARINE PRODUCTS

## FLUSH PULL RING LATCHES ADJUSTABLE CAM HEIGHT 316 STAINLESS STEEL

• See Section 6: 3




Code	Front Face	Min Panel Thick (mm)	Max Panel Thick (mm)	Cam H-Dimension
DX316-M1-CAM	64Dia x 3H	6	50	22-68

## MINI INSERT (DRIVE) QUARTER TURN HIGH SECURITY TUBULAR KEY 316 STAINLESS STEEL

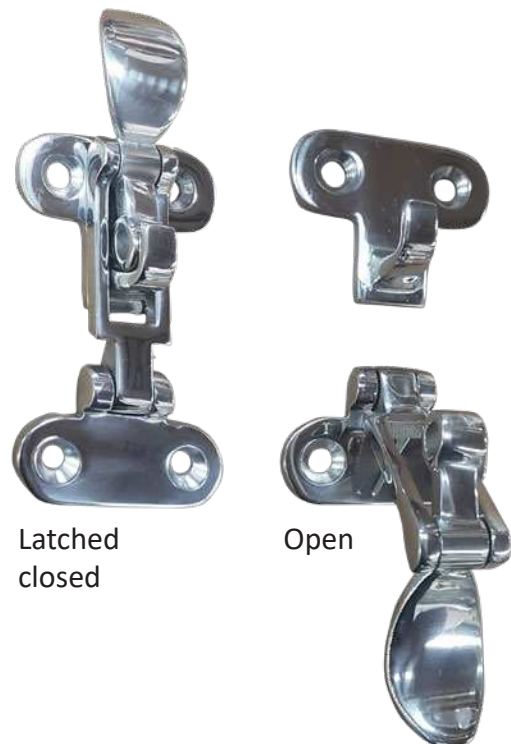
• See Section 10: 30



Code	Insert (Drive / Key Type)	Cam H Dimension	Matching Key Code
M-140-4-0-93-09	 Tubular	3.2 - 6.4mm	M-469.1.1

## OVER CENTRE HASP & STAPLE LATCH PADLOCKABLE 316 STAINLESS STEEL

• See Section 14: 2



Code	Overall (mm)	Padlock Hole (mm)
DX316-HS-111	111L x 50W x 28H	6.3

Latched closed

Open

# MARINE PRODUCTS

## PULL / GRAB HANDLES

### 316 STAINLESS STEEL

- See Section 4: 6



DX316-H-119X15



DX316-H-196X25

Code	Overall (mm)	Finger Gap (mm)	Mounting Type
DX316-H-119X15	119L x 26H x 15W	21	2x 6G CSK Screw
DX316-H-196X25	196L x 37H x 25W	27	2x 10G CSK Screw

## FOLDING T HANDLE COMFORT SERIES LATCH NON-LOCKING 316 STAINLESS STEEL

- See Section 7: 11



Code	Key Number	Mounting Method
10502SS-316	Non-locking	Holes

# MARINE PRODUCTS

## QUARTER TURN CYLINDER LOCK KEY LOCKING 316 STAINLESS STEEL



• See Section 10: 3

Code	Material / Colour	Key Type / Number	Cam Code
200-9232	316 Stainless Steel	DIRAK 1333	Advise your H-Dimension and we will specify appropriate cam to suit.
200-9233	316 Stainless Steel	Mixed Key	

## QUARTER TURN WING HANDLE KEY LOCKING & NON LOCKING 316 STAINLESS STEEL



• See Section 10: 7

Code	Material / Colour	Key Number	Cam Included?, Cam H-Dimension
M-065-4-0-00-36	316 Stainless Steel	Non Locking	Yes, 26mm
M-065-4-0-07-36	316 Stainless Steel	CH751	Yes, 26mm
M-065-4-0-144-36	316 Stainless Steel	144	Yes, 26mm
M-065-4-0-CL001-36	316 Stainless Steel	CL001	Yes, 26mm
M-065-4-0-CL003-36	316 Stainless Steel	CL003	Yes, 26mm

## QUARTER TURN WING KNOB PADLOCKABLE 316 STAINLESS STEEL

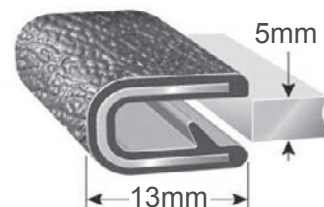
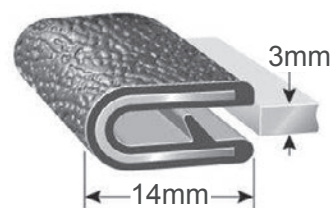


• See Section 10: 9

Code	Material/Finish	Handedness	Cam H-Dimension
200-9375	316 Stainless Steel	Universal	Specify to suit

# MARINE PRODUCTS

## EDGE PROTECTION RUBBER ALUMINIUM CAGE



Code	Material	Panel thickness (mm)	Order Qty
1011-M3-WH	PVC with aluminium cage	3	76m Roll
1011-M3-BLK	PVC with aluminium cage	3	76m Roll
1011-M5-WH	PVC with aluminium cage	5	76m Roll
1011-M5-BLK	PVC with aluminium cage	5	76m Roll

## FOLDING TABLE / SEAT BRACKET 316 STAINLESS STEEL

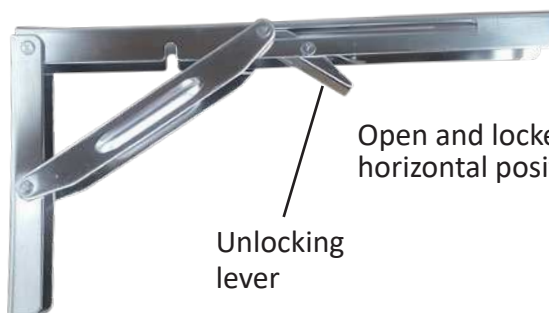
- See Section 1: 49



Folded down to vertical



Opening



Open and locked in horizontal position

Unlocking lever



Showing inside

Code	Wall plate (mm)	Table Plate (mm)	Mounting Type
DX316-TB	160H x 24W	300 L x 24W	6x 12G / M5 Screws



# MARINE PRODUCTS

## L HANDLES

### 316 STAINLESS STEEL

- See Section 10: 11



Code	Material / Colour	Key Number	Cam Included?, Cam H Dimension
200-9485	316 Stainless Steel	1333	No, Contact Us
200-9425	316 Stainless Steel	Padlockable	No, Contact Us
200-9481	316 Stainless Steel	Padlockable	No, Contact Us

## T HANDLES

### 316 STAINLESS STEEL

- See Section 10: 12



Code	Material / Colour	Key Number	Cam Included?, Cam H Dimension
200-9374	316 Stainless Steel	Non Locking	No, Contact Us
200-9398	316 Stainless Steel	1333	No, Contact Us

Note: Specifications can change from time to time without notice.  
Cut-outs & construction should only be done with the products onsite.

**SELECTLOK**  
NEW ZEALAND LTD

# MARINE PRODUCTS

## COMPARTMENT LATCH

### 316 STAINLESS STEEL

- See Section 13:3



Code	Description	Material	Dimensions	Fixing method
94042-316	Compartment latch	316 S/Steel	50Dia x 19H	4xM4 CSK Holes

## FLUSH DECK HINGE DOUBLE PIVOT (180 DEG) 316 STAINLESS STEEL

- See Section 11:15



Code	Open Width (mm)	Height (mm)	Thickness (mm)	Holes
DX316-DH	80	30	3	M4 CSK



# MARINE PRODUCTS

## BLOCK / PINTLE HINGE

### LIFT-OFF

### 316 STAINLESS STEEL

- See Section 11: 9-10



Code	Material / Finish	Height (mm)	Width (mm)	Thickness (mm)	Pin Dia (mm)
HIB650SS-316NS	316 Stainless Steel	82 (41+41)	12	Inline: 16	6
HIB820SS-316NS	316 Stainless Steel	82 (41+41)	12	Offset: 16/19	6

## LIFT-OFF BUTT HINGE: 40 & 50 & 60mm

### HOLES & STUDS

### 316 STAINLESS STEEL

- See Section 11: 12



Code	Left / Right	Height (mm)	Width (mm)	Thick (mm)	Open Angle (°)	Fixing Method	Hole Centres (mm)
M-3299-4-0-001	Right	40	40 (20+20)	5	270	4xM5 Holes	25H x 25W (12.5+12.5)
M-3299-4-0-002	Left	40	40 (20+20)	5	270	4xM5Holes	25H x 25W (12.5+12.5)
M-3099-4-0-001	Right	50	50 (25+25)	6	270	4xM6 Holes	30H x 30W (15+15)
M-3099-4-0-002	Left	50	50 (25+25)	6	270	4xM6 Holes	30H x 30W (15+15)
M-3599-4-0-001	Right	60	50 (25+25)	8	270	4xM6 Holes	36H x 30W (15+15)
M-3599-4-0-002	Left	60	50 (25+25)	8	270	4xM6 Holes	36H x 30W (15+15)

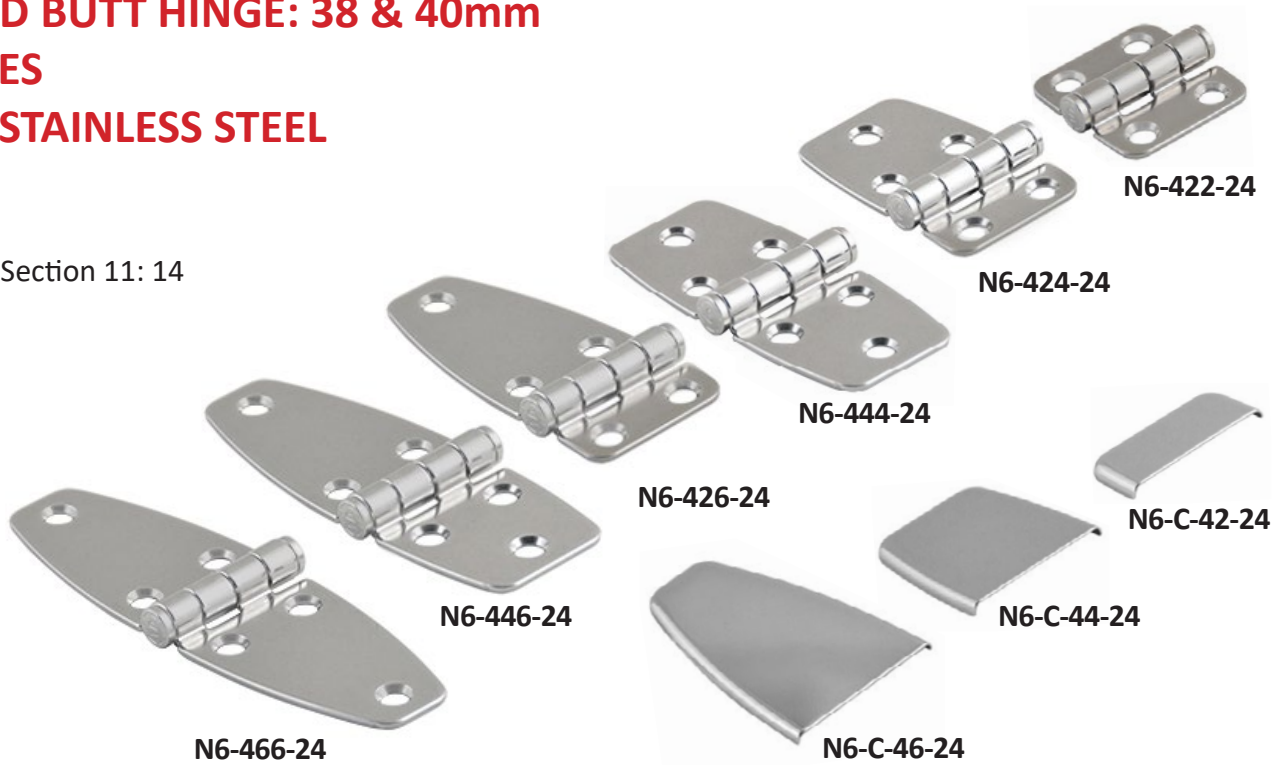
Note: Specifications can change from time to time without notice.  
Cut-outs & construction should only be done with the products onsite.

# MARINE PRODUCTS

## FIXED BUTT HINGE: 38 & 40mm HOLES

### 316 STAINLESS STEEL

- See Section 11: 14



Code	Height (mm)	Width (mm)	Thick (mm)	Open Angle (°)	Material / Finish	Fixing Method	Hole Centres (mm)
N6-422-24	38	38(19+19)	2	270	316 S/Steel	4xM4 Holes	20H x 26W (13+13)
N6-424-24	38	58(39+19)	2	270	316 S/Steel	5xM4 Holes	Contact us
N6-444-24	38	78(39+39)	2	270	316 S/Steel	6xM4 Holes	Contact us
N6-426-24	38	78(59+19)	2	270	316 S/Steel	5xM4 Holes	Contact us
N6-446-24	38	98(59+39)	2	270	316 S/Steel	6xM4 Holes	Contact us
N6-466-24	38	118(59+59)	2	270	316 S/Steel	6xM4 Holes	Contact us

- See Section 11: 14



HIB40382

Code	Height (mm)	Width (mm)	Thick (mm)	Open Angle (°)	Material / Finish	Fixing Method	Hole Centres (mm)
HIB40382	40	38 (19+19)	2	270	316 S/Steel	4xM5 Holes	22.5H x 26W(13+13)

# MARINE PRODUCTS

## FIXED BUTT HINGE: 40 & 50mm HOLES 316 STAINLESS STEEL



- See Section 11: 19-20

Code	Height (mm)	Width (mm)	Thick (mm)	Open Angle (°)	Material / Finish	Fixing Method	Hole Centres (mm)
M-299-4-0-3	40	40 (20+20)	5	270	316 S/Steel	4xM5 Holes	25H x 25W (12.5+12.5)
M-099-4-0-4	50	50 (25+25)	6	270	316 S/Steel	4xM6 Holes	30H x 30W (15+15)
M-099-4-0-7	50	63 (25+38)	6	270	316 S/Steel	4xM6 Holes	30H x 43W (28+15)

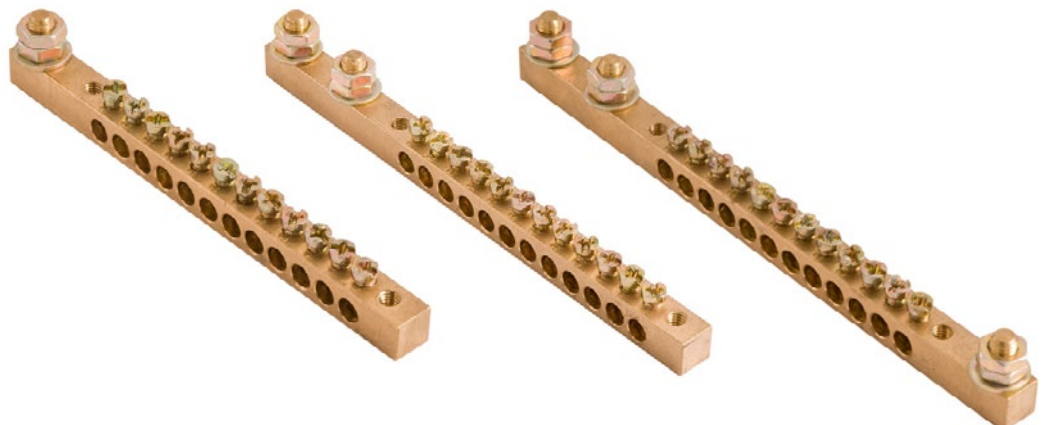
## DRAWER SLIDES 45KG PER DRAWER STANDARD 201 STAINLESS STEEL

- See Section 15: 3



## EARTH & NEUTRAL BARS 63 AMP 16mm<sup>2</sup> CABLE ONE, TWO OR THREE MAIN STUDS

- See Section 20: 2-6



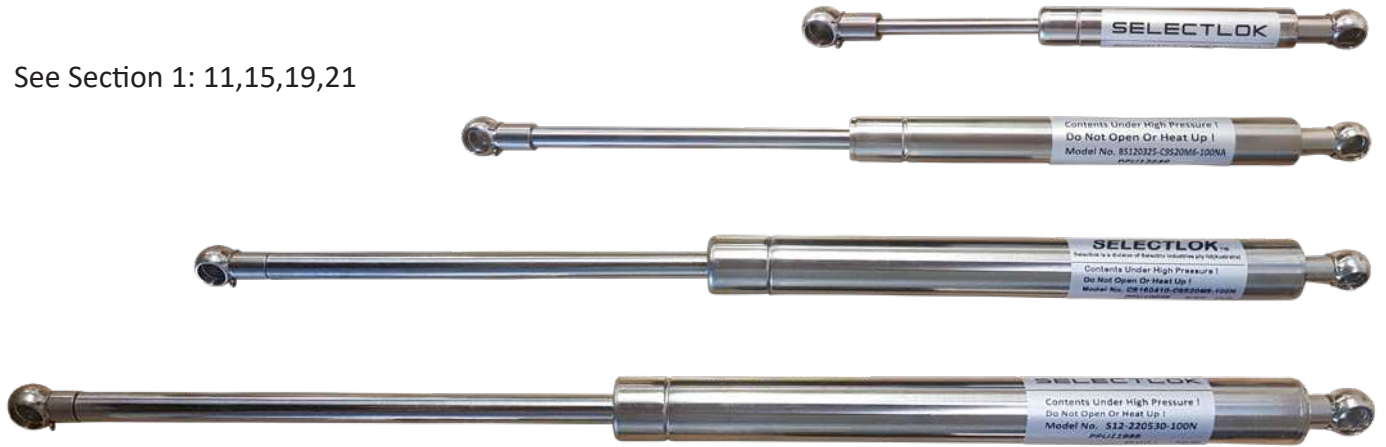
Note: Specifications can change from time to time without notice.  
Cut-outs & construction should only be done with the products onsite.

# MARINE PRODUCTS

## GAS STRUTS & MOUNTING BRACKETS

### 316 & 303 STAINLESS STEEL

- See Section 1: 11,15,19,21





# MARINE PRODUCTS

## JUMP SOLAR

### LITHIUM JUMP START PACKS

#### The Best Jump Start Battery Packs!

- Genuine **16,000mAh Capacity** - Tested & True
- Powerful 16V output easily turns over hard to start **12V diesel and petrol engines**
- **Simple recharging** off any USB socket (car, laptop, phone charger, etc)
- LED light with Torch, SOS, Strobe modes
- Compact robust zip-up **Carry Case**
- Compatible with our **Fold-Out Solar Panel** accessory for recharging in remote locations
- Buy in Confidence with our **1 Year Warranty**
- **Permissible for carry-on Air Travel luggage** (Less than 100Wh)

### BEST DEVICE CHARGING JUMP START PACK

- Fast 10W Qi **Wireless Phone Charging** - place your compatible phone on top of jump pack
- **Two Fast Charge USB Ports:** USB 3.0 + USB 2.0
- Easy to Read **Digital Display** Showing Battery Percentage Remaining



Lithium battery specs:

~16.8V (fully charged) to start <6.0L 12V Diesel Engines

4pcs 4000mAh cells: 16,000mAh x 3.7V = 59.2Wh

Amp Hours: @ 12V (EC5 Terminal): 59.2Wh ÷ 12V = 4.93Ah

@ 5V (USB Socket): 59.2Wh ÷ 5V = 11.84Ah

16,000MAH

Code	Engine Starting	Special Feature
JS-Q2-16V	≤6L 12V Diesel or Petrol	Wireless phone charge

- See Section 19:6-8 for accessories

### BEST ROADSIDE RESCUE JUMP START PACK

- 40psi Air Compressor for **Emergency Roadside Tyre Inflation**, also bicycles, balls etc.
- Single **Fast Charge USB Port:** 2.8A

Lithium battery specs:

~16.8V (fully charged) to start <6.0L 12V Diesel Engines

4pcs 4000mAh cells: 16,000mAh x 3.7V = 59.2Wh

Amp Hours: @ 12V (EC5 Terminal): 59.2Wh ÷ 12V = 4.93Ah

@ 5V (USB Socket): 59.2Wh ÷ 5V = 11.84Ah



16,000MAH

Code	Engine Starting	Special Feature
JS-AIR-16V	≤6L 12V Diesel or Petrol	Integral tyre inflator

- See Section 19:6-8 for accessories

# MARINE PRODUCTS

## HOOK, EYE & CARIBINER TIE OFF BRACKETS 316 STAINLESS STEEL

- See Section 13:3



Code	Base (mm)	Gap For Rope	Holes (mm)
DX316-HOOK	27 x 27	6mm H	M4 CSK
DX316-EYE	35 x 30	10mm Dia	M5 CSK
DX316-CARIBINER	36 x 30	11mm H	M4 CSK

## SLIDE BOLT / TOWER BOLT 316 STAINLESS STEEL

- See Section 13:5



Code	Pin Ø (mm)	Material / Finish	Fixing
DX316-SB-90	10	316 S/steel	6xM4 Holes

## NON LOCKING SLAM LATCH 316 STAINLESS STEEL

- See Section 4:14



Code	Dimensions (mm)	Thickness (mm)	Holes
DX316-SLAM	70L x 39W x 26H	316 S/steel	M4 CSK



# MARINE PRODUCTS

## DOOR STOP & HOLD BACK

### MARINE GRADE 316 STAINLESS STEEL

- See Section 13:11



DX316-DHB  
Latched



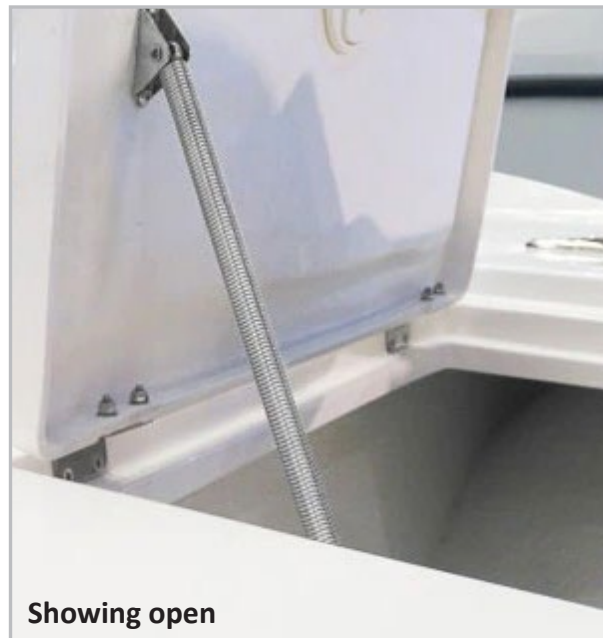
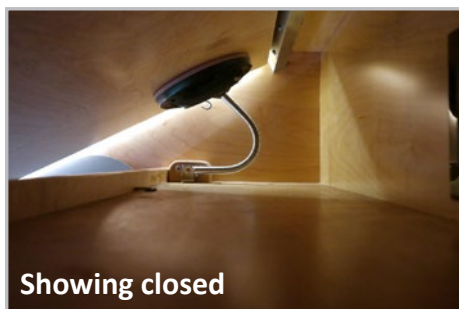
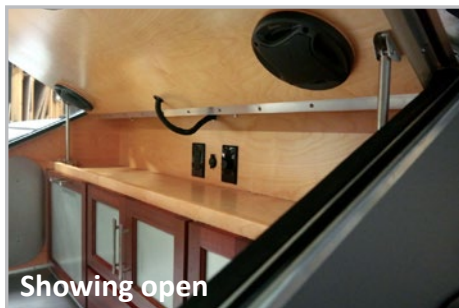
DX316-DHB  
Unlatched

Code	Dimensions (mm)	Description	Material
DX316-DHB	50Dia x 60L	Door hold back latch	316 S/Steel

## HATCH, COVER, DOOR HOLD OPEN STAY

### SPRING TENSION

### 316 STAINLESS STEEL



- See Section 1:45

Code	Stay Length (mm)
DX316-HS-260	260



Note: Specifications can change from time to time without notice.  
Cut-outs & construction should only be done with the products onsite.