

20	SWITCHBOARD ELECTRICAL	Pages
	165A 16mm ² Two Stud Earth & Neutral Bars	2
	63A 16mm ² Peg Mount Earth & Neutral Bar	3
	63A 16mm ² One Stud Earth & Neutral Bar	4
	63A 16mm ² Two Studs Earth & Neutral Bar	5
	63A 16mm ² Three Studs Earth & Neutral Bar	6
	Stand Off Insulators	7
	Window Sealing Rubber	8
	Edge Sealing Rubber	8

20 SWITCHBOARD ELECTRICAL



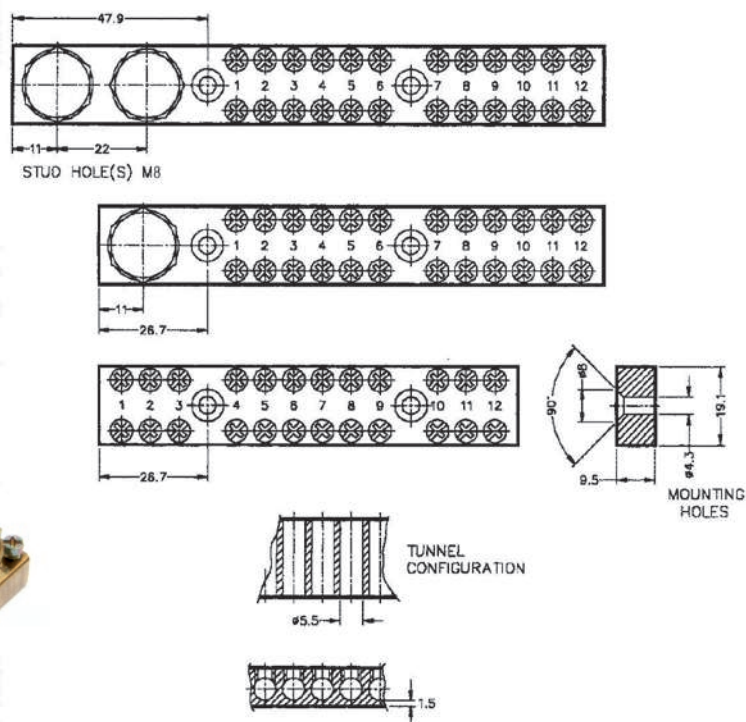
SWITCHBOARD ELECTRICAL

EARTH & NEUTRAL BARS

HOLE MOUNT

165 AMP 16mm² CABLE

TWO MAIN STUDS



- Terminals fit 16mm² cable with chamfered opening for easy cable insertion
- 165A Max rating
- Two screws per terminal
- Numbered terminals
- Two main M8 studs
- Fixing holes countersunk 4mm clearance
- All edges chamfered
- RoHS compliant

Code	Max Rating (Amps)	Number of Terminals	Number of Mounting Holes	Mounting Hole Centres (mm)
B12006IX	165	6	2	50
B12012IX	165	12	2	50
B12018IX	165	18	2	120
B12024IX	165	24	2	120
B12036IX	165	36	2	120
B12048IX	165	48	2	120
B12054IX	165	54	2	120
B12060IX	165	60	2	120
B12060QX	165	60		
B12072IX	165	72	4	120
B12084IX	165	84	4	120
B12096IX	165	96	4	120

SWITCHBOARD ELECTRICAL

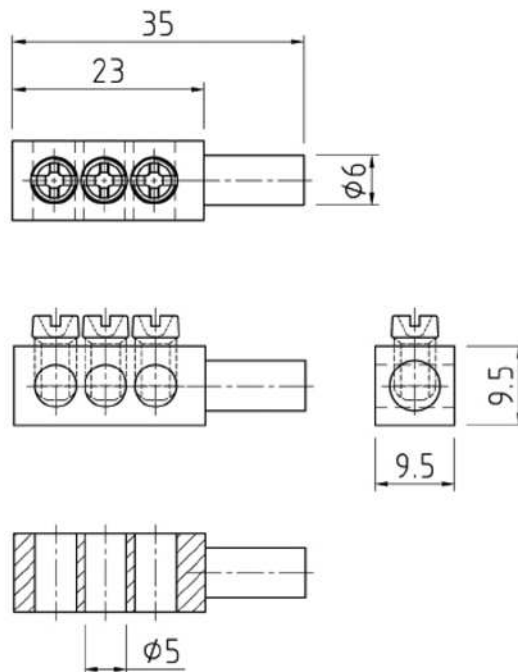
EARTH & NEUTRAL BARS

PEG MOUNT

63 AMP 16mm² CABLE



- Terminals fit 16mm² cable
- 63A Max rating
- One screw per terminal
- Numbered terminals
- Two main M8 studs
- Fixing holes countersunk 4mm clearance
- All edges chamfered
- RoHS compliant



TUNNEL CONFIGURATION

Code	Max Rating (Amps)	Number of Terminals
B-63A-3W	63	3

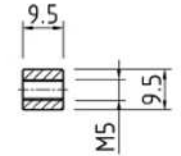
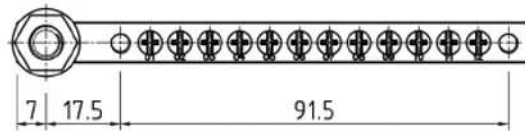
SWITCHBOARD ELECTRICAL

EARTH & NEUTRAL BARS

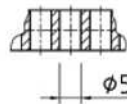
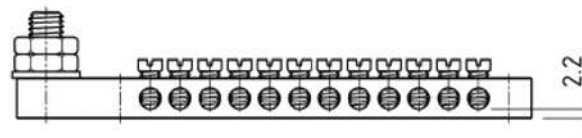
HOLE MOUNT

63 AMP 16mm² CABLE

ONE MAIN STUD



MOUNTING HOLE



TUNNEL CONFIGURATION

- Terminals fit 16mm² cable with chamfered opening for easy cable insertion
- 63A Max rating
- One screw per terminal
- Numbered terminals
- One main M6 stud
- M5 mounting holes
- All edges chamfered
- RoHS compliant

Code	Max Rating (Amps)	Number of Terminals
B-63A-6W-1ST	63	6
B-63A-12W-1ST	63	12
B-63A-18W-1ST	63	18
B-63A-24W-1ST	63	24
B-63A-36W-1ST	63	36
B-63A-48W-1ST	63	48

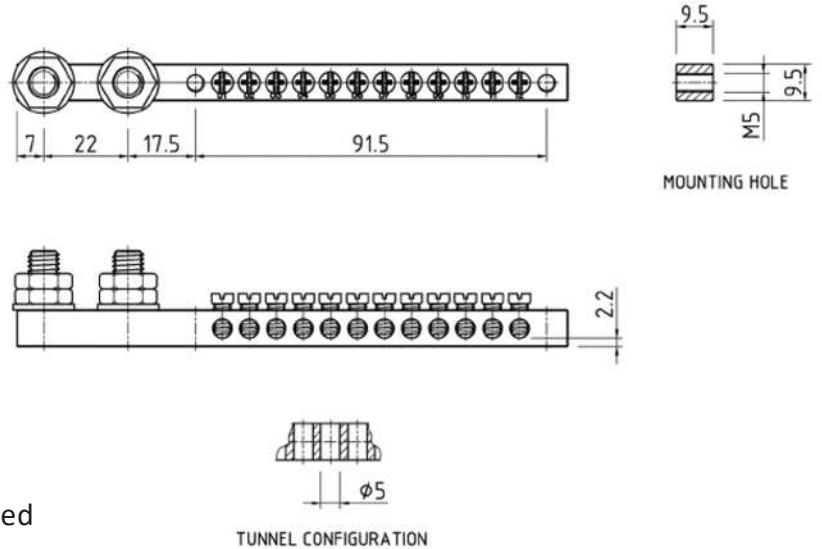
SWITCHBOARD ELECTRICAL

EARTH & NEUTRAL BARS

HOLE MOUNT

63 AMP 16mm² CABLE

TWO MAIN STUDS



- Terminals fit 16mm² cable with chamfered opening for easy cable insertion
- 63A Max rating
- One screw per terminal
- Numbered terminals
- Two main M6 studs
- M5 mounting holes
- All edges chamfered
- RoHS compliant

Code	Max Rating (Amps)	Number of Terminals
B-63A-6W-2ST	63	6
B-63A-12W-2ST	63	12
B-63A-18W-2ST	63	18
B-63A-24W-2ST	63	24
B-63A-36W-2ST	63	36
B-63A-48W-2ST	63	48

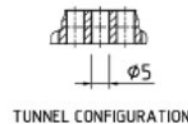
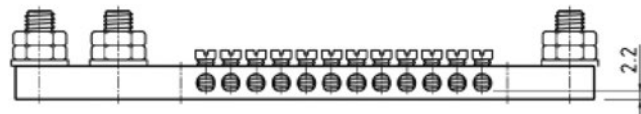
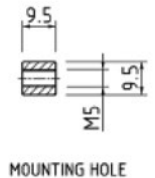
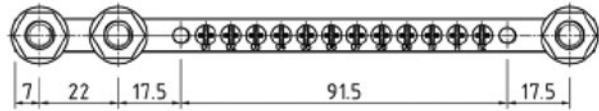
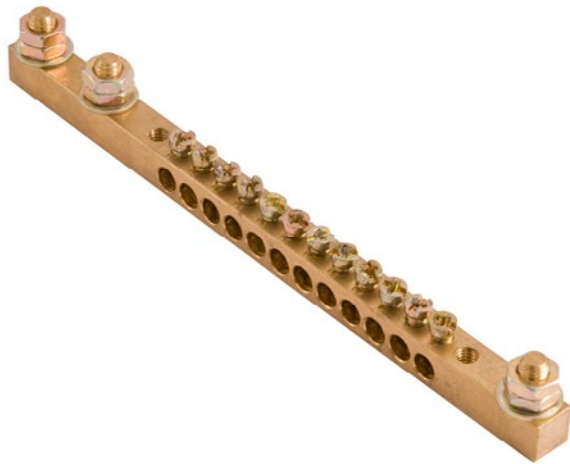
SWITCHBOARD ELECTRICAL

EARTH & NEUTRAL BARS

HOLE MOUNT

63 AMP 16mm² CABLE

THREE MAIN STUDS



- Terminals fit 16mm² cable with chamfered opening for easy cable insertion
- 63A Max rating
- One screw per terminal
- Numbered terminals
- Three main M6 studs
- M5 mounting holes
- All edges chamfered
- RoHS compliant

Code	Max Rating (Amps)	Number of Terminals	Number of Mounting Holes	Mounting Hole Centres (mm)
B-63A-5W-3ST	63	5	2	
B-63A-5W-3ST-LONG	63	5	2	42
B-63A-6W-3ST	63	6	2	49.5
B-63A-12W-3ST	63	12	2	91
B-63A-18W-3ST	63	18	2	133.5
B-63A-24W-3ST	63	24	2	174.5
B-63A-36W-3ST	63	36	2	
B-63A-48W-3ST	63	48	2	342.5
B-63A-60W-3ST	63	60	2	426.5
B-63A-72W-3ST	63	72	2	

SWITCHBOARD ELECTRICAL

STAND OFF INSULATORS

GLASS REINFORCED POLYESTER



- Glass reinforced polyester
- Octagon shape for easy installation
- High dielectric strength
- Arc quenching and tracking
- Wear and corrosion resistant
- High quality finish and appearance
- High mechanical strength
- Dimensional stability
- Brass insert moulded in
- Chemical and oil resistant
- Standards: EN60660:2000
- Operating Temperature: -40°C to 140°C

Code	Height (mm)	Width (mm)	Thread	Tensile Strength (kg)	Torque (Nm)	Voltage (kV)
I025EN-E	25	22	M6	227	13.72	8.5
I030EN-E	30	30	M6	272	13.72	11
I035FN-E	35	32	M8	295	34.3	12.5
I035GN-E	35	32	M10	295	54.2	12.5
I038GN-E	38	41	M10	295	54.2	12.5
I040FN-E	40	41	M8	363	34.3	14
I040GN-E	40	41	M10	453	67.62	14
I050FN-E	50	36	M8	409	34.3	15.5
I050GN-E	50	46	M10	500	67.62	15.5
I050HN-E	50	46	M12	680	115.64	15.5
I060GN-E	60	60	M10	907	67.62	21
I075GN-E	75	50	M10	680	67.62	28
I075HN-E	75	50	M12	680	115.64	28

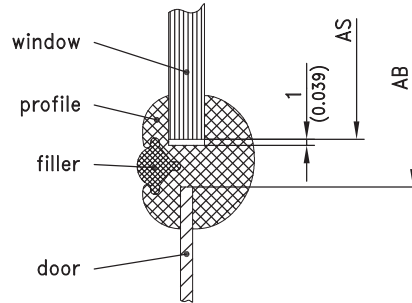
Note: Specifications can change from time to time without notice.
Cut-outs & construction should only be done with the products onsite.

SWITCHBOARD ELECTRICAL WINDOW SEALING RUBBER

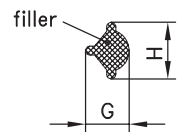
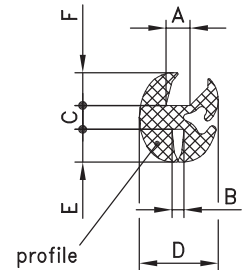
- Window sealing rubber
- EPDM material



Example of application



AS=size of window
AB=size of cutout



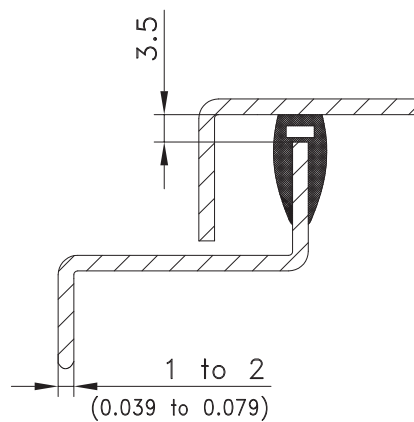
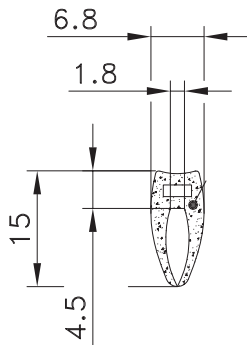
Code	Description Units (mm)	A	B	C	D	E	F	G	H	Bend Radius
209-0502 + 209-0602	Profile + Filler	4	2.5	7	16	7	7	7.5	9.5	70

Other profiles available on request

EDGE SEALING RUBBER

- Top mount sealing rubber
- EPDM material

Example of application



Code	Description
209-0302	EPDM Top mount sealing rubber

Other profiles available on request