

16	DISPLAY CABINET HARDWARE	Pages
	Cam Locks	2 - 3
	High Security Locks For Hinged Doors	4
	Locks For Hinged Doors	5 - 9
	Locks For Drawers	9 - 10
	Locks For Filing Cabinets	11 - 12
	High Security Locks For Sliding Doors	13
	Locks For Sliding Doors	13 - 18
	Track / Rail Components For Sliding Doors	19 - 20
	Flush Locks For Lockers	21 - 22
	Glass Door Knob Locks	23 - 29
	Hinges For Cabinets	30 - 31
	Shelf Supports & Standoffs	32 - 34

16 DISPLAY CABINET HARDWARE



DISPLAY CABINET HARDWARE

CAM LOCKS

We have many different cam lock options available - see Section 9 **Cam Locks**.



Camlock
Non-locking
Wing knob



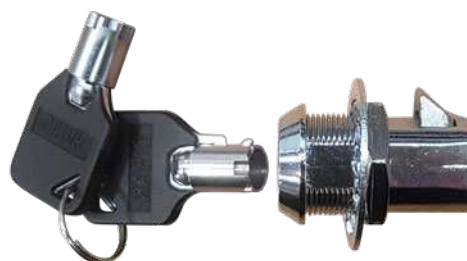
Camlock
Combination / High security tubular key



Camlock
Cylinder lock
(blade type key)



Camlock
High security Finland key

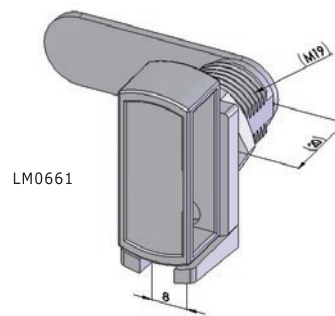
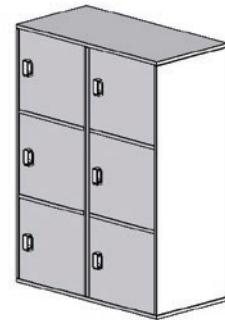
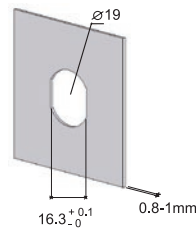
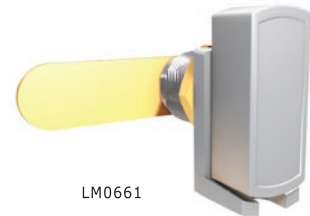
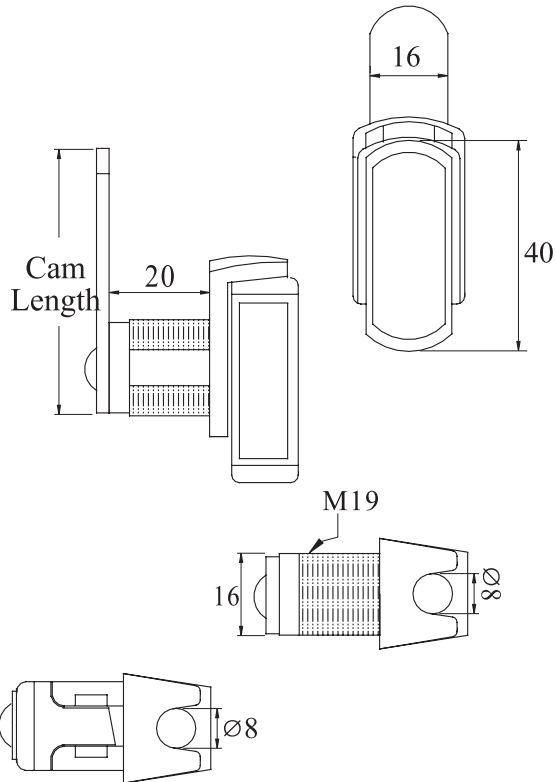


Camlock
Slam lock
High security tubular key

DISPLAY CABINET HARDWARE

PADLOCKABLE CAM LOCK FOR LOCKER DOORS

STEEL ZINC



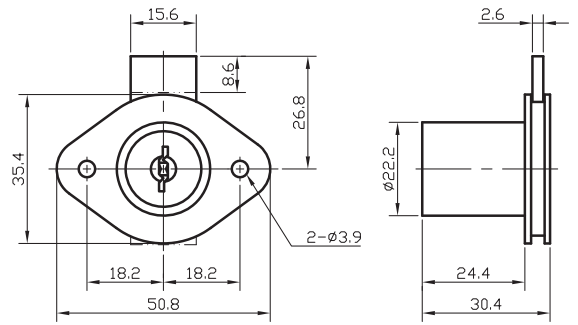
Code	Description
LM0661.20.F.06.FL	Complete lock

DISPLAY CABINET HARDWARE

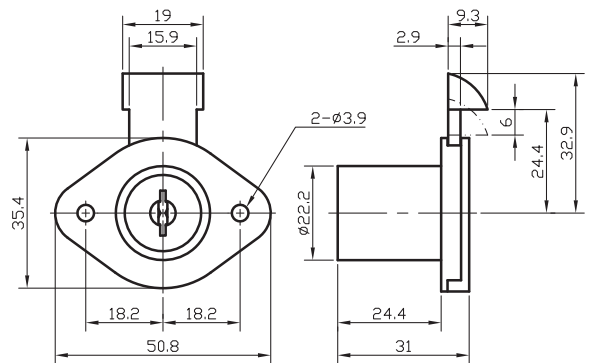
PAGODA KEY HIGH SECURITY LOCKS FOR HINGED DOORS



1772-KA
Fixed cam



1773-KA
Spring loaded slam snib



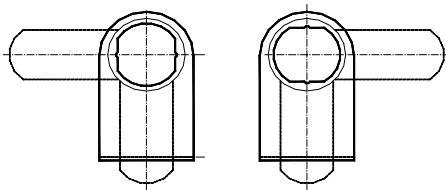
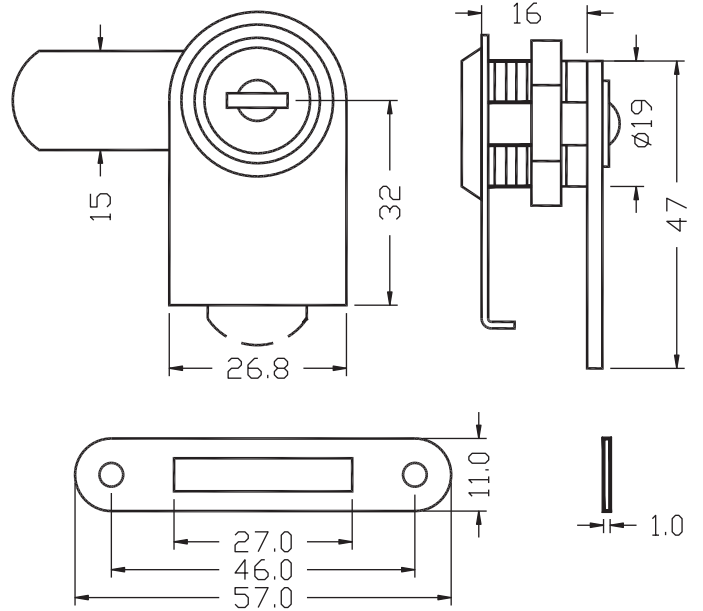
DISPLAY CABINET HARDWARE

Code	Description	Hole Dia (mm)	Key Type
1772-KA	Sliding cam	23	Keyed Alike
1773-KA	Spring loaded slam snib	23	Keyed Alike

Note: Specifications can change from time to time without notice. Cut-outs & construction should only be done with the products onsite.

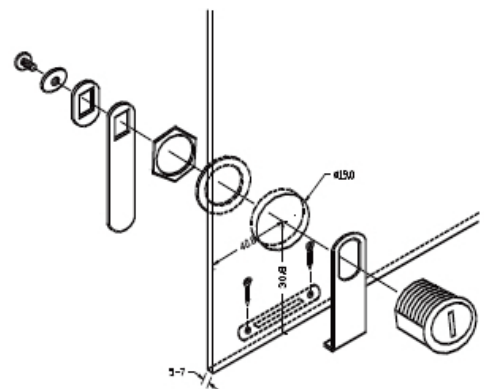
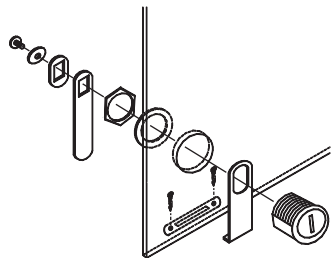
DISPLAY CABINET HARDWARE

HINGED GLASS DOOR LOCK



410-1

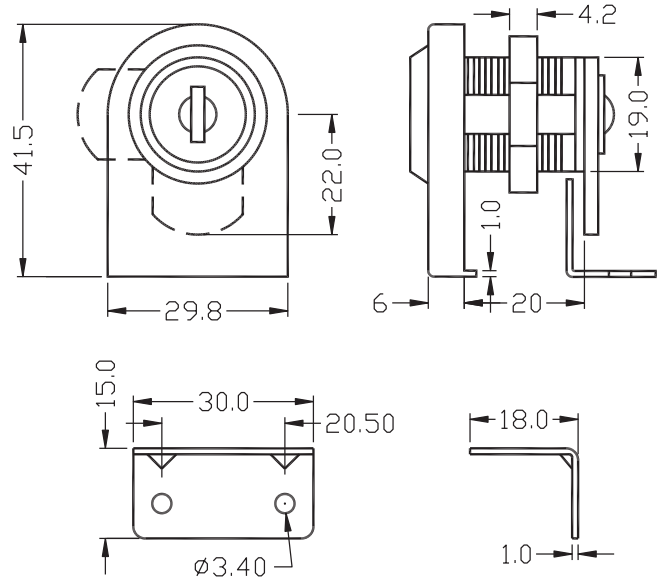
410-1R



Code	Description	Glass Thickness (mm)	Handedness	Key Number
C410-1L	Glass door lock	5-7	Left	KA120
C410-1R	Glass door lock	5-7	Right	KA120

DISPLAY CABINET HARDWARE

HINGED GLASS DOOR LOCK



Code	Description	Key Number
C410-4-KA120	Glass door lock	KA120

DOOR / DRAWER LOCK ACCESSORY STRIKE PLATE

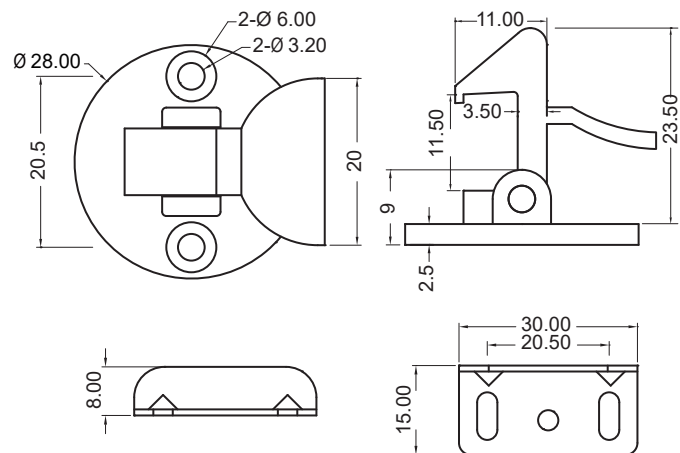
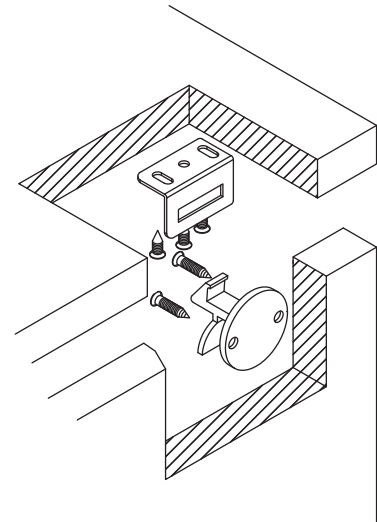
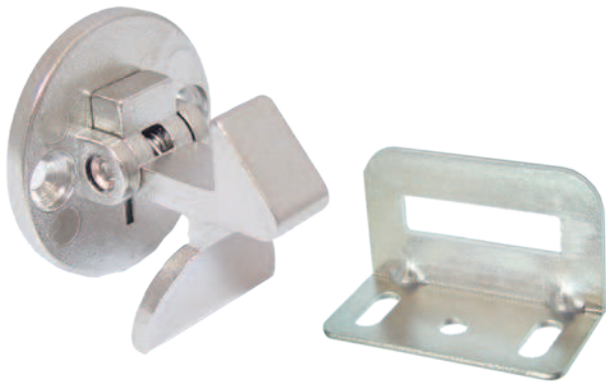


Code	Description
A0007(DS-02-8N)	L Type Strike Plate
A0007AH(DS-02/18)	L Type Strike Plate

DISPLAY CABINET HARDWARE

DOUBLE WOOD DOORS

INTERNAL AUTOMATIC HOOK LATCH FOR SECOND DOOR

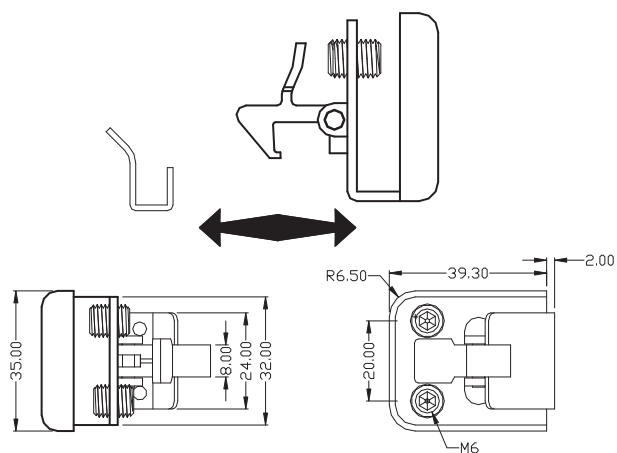
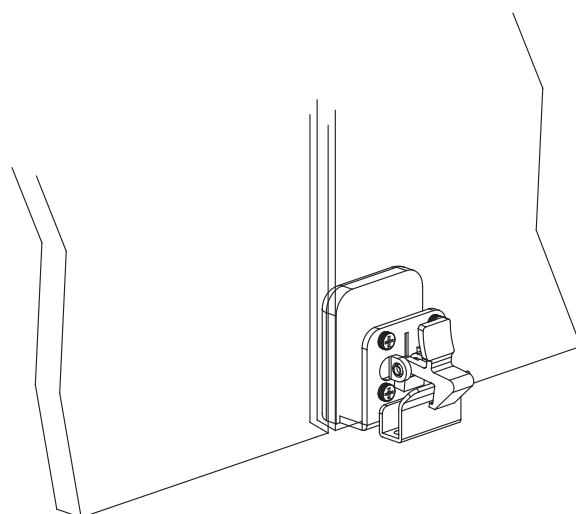


Code	Description	Material / Finish
AL-02-N	Internal hook latch for second door	Zinc / Chrome

DISPLAY CABINET HARDWARE

DOUBLE GLASS DOORS

INTERNAL AUTOMATIC HOOK LATCH FOR SECOND DOOR



Code	Description	Material / Finish
AL-03-N	Internal hook latch for second door	Zinc / Chrome

DISPLAY CABINET HARDWARE

DOOR / DRAWER SLAM LATCHES

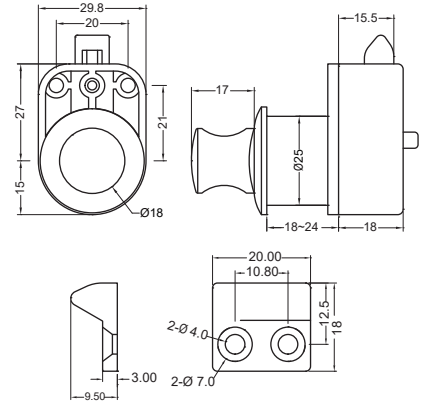
MOTORHOME / CARAVAN / BOAT TYPE



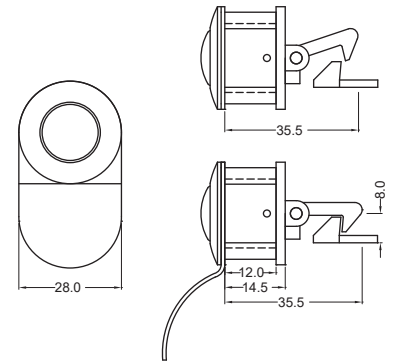
5100-##
Showing Matt Nickel



5100-SQ-##
Showing Chrome



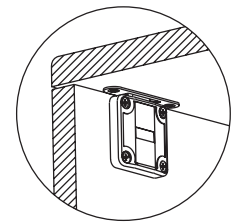
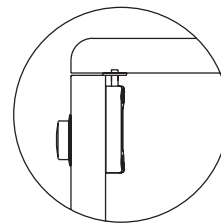
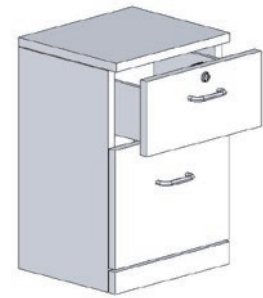
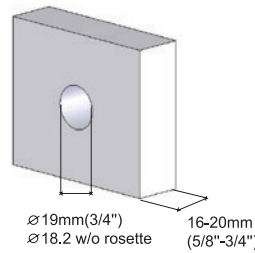
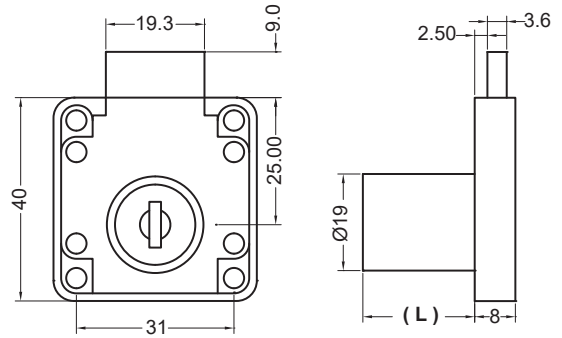
MN5100-15-V
N5100-15-V



Code	Description	Material / Finish	Door Cut-Out (mm)
5100-MN	Round push knob slam latch	Plastic / Matt Nickel	26Dia x 18-24 Thick
5100-CH	Round push knob slam latch	Plastic / Nickel (Shiny)	26Dia x 18-24 Thick
5100-SQ-MN	Square push knob slam latch	Plastic / Matt Nickel	26Dia x 18-24 Thick
5100-SQ-CH	Square push knob slam latch	Plastic / Nickel (Shiny)	26Dia x 18-24 Thick
MN5100Z-15-V	Round push knob slam latch with hook	Plastic / Matt Nickel	(Contact us) x 13-18
N5100Z-15-V	Round push knob slam latch with hook	Plastic / Nickel (Shiny)	(Contact us) x 13-18

DISPLAY CABINET HARDWARE

DRAWER LOCK STEEL CHROME



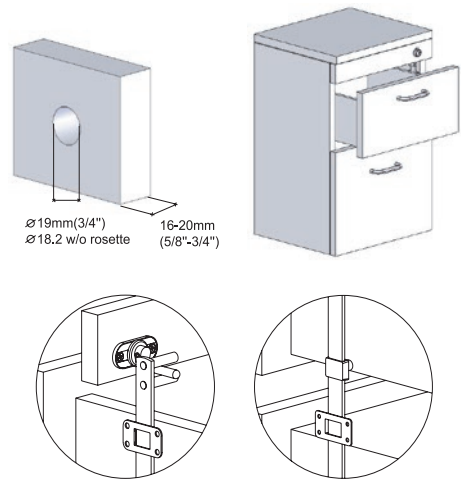
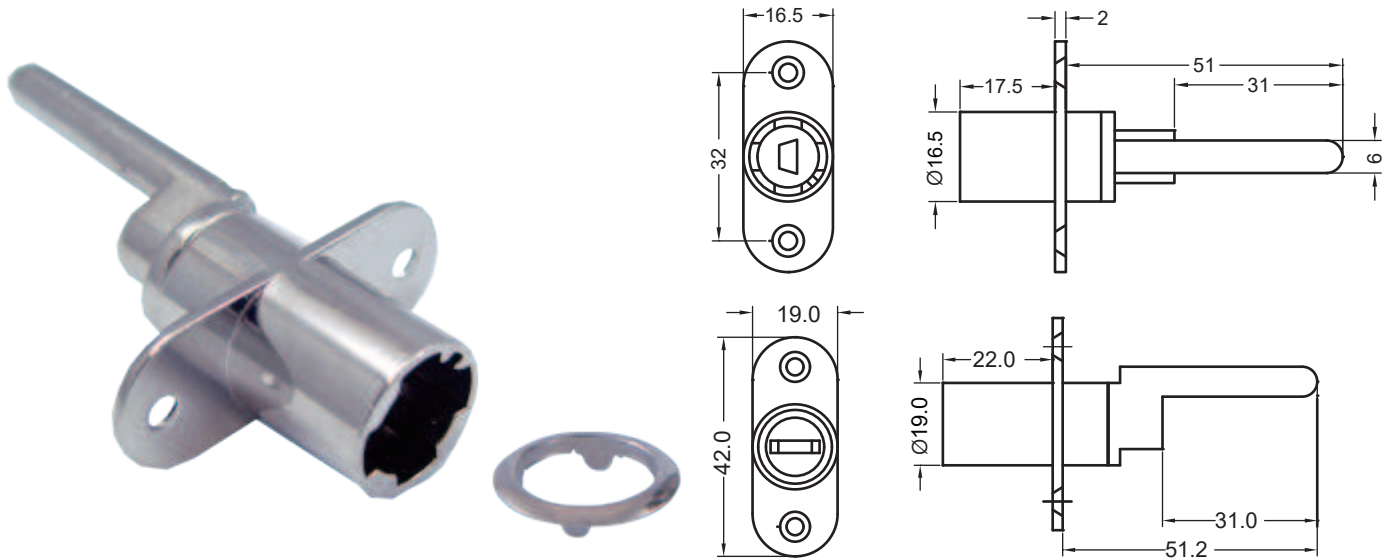
Code	Description	L (mm)	Key Type
N507-11	Complete Lock	22	KA120 (Keyed Alike)
N507-30	Complete Lock	30	KA120 (Keyed Alike)
N8100-22	Housing Only	22	Use N7000 or N8000
N8100-26	Housing Only	26	Use N7000 or N8000
N7000	Key Barrel and Keys Only		7 Series (Keyed Alike Sets / Keyed Differ)
N8000	Key Barrel and Keys Only		8 Series (Keyed Alike Sets / Keyed Differ)
KEY-M-K5-MO4	N7000 Series Master Key		
KEY-M-K2-MO4	N8000 Series Master Key		

Note: Specifications can change from time to time without notice.
Cut-outs & construction should only be done with the products onsite.

SELECTLOK
NEW ZEALAND LTD

DISPLAY CABINET HARDWARE

FILING CABINET DRAWER LOCK



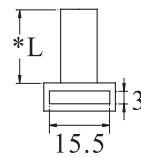
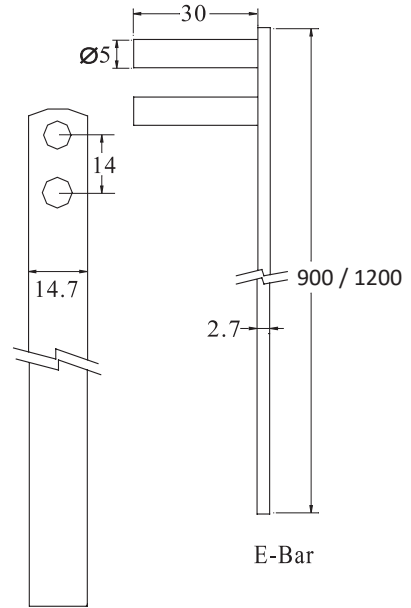
Code	Description	L (mm)	Key Type
N8400/19	Housing Only	22	Use N7000 or N8000
N7000	Key Barrel and Keys Only		7 Series (Keyed Alike Sets / Keyed Differ)

DISPLAY CABINET HARDWARE

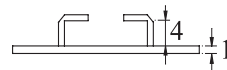
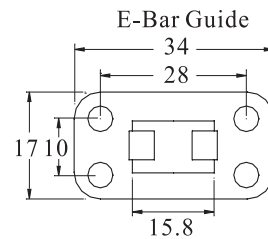
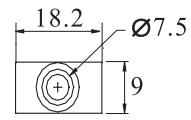
FILING CABINET DRAWER LOCKING RODS



E-Bar



E-nut



Code	Description	L (mm)	Material
BRE01200801-A	1200mm locking rod, 3x pegs	8	Aluminium, Zinc, Steel
BRE0900801-A	900mm locking rod, 3x pegs	8	Aluminium, Zinc, Steel

DISPLAY CABINET HARDWARE

PAGODA KEY HIGH SECURITY LOCKS

PUSH LOCKS FOR SLIDING DOORS



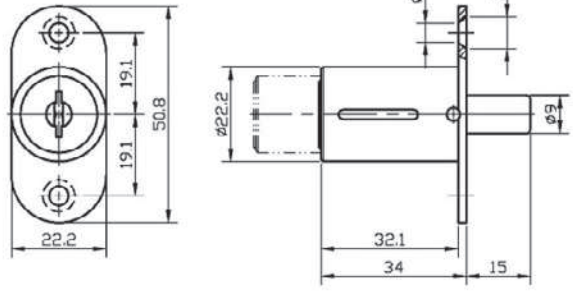
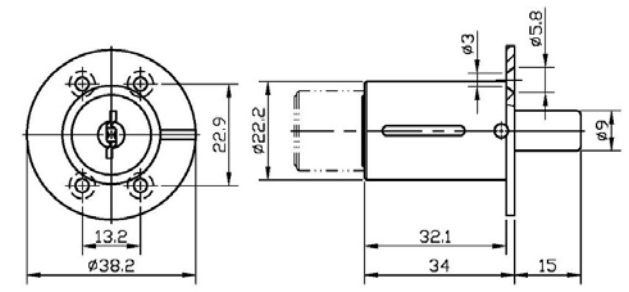
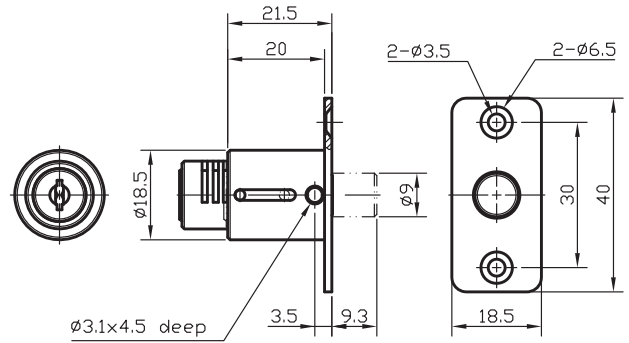
1635-KD



1775-KA



1771-KA

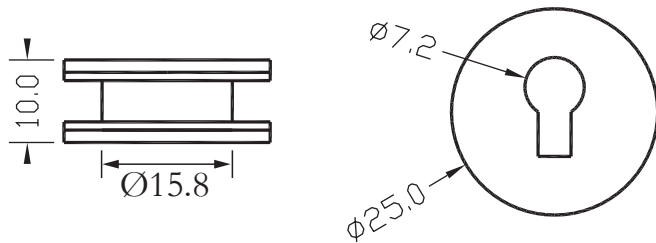
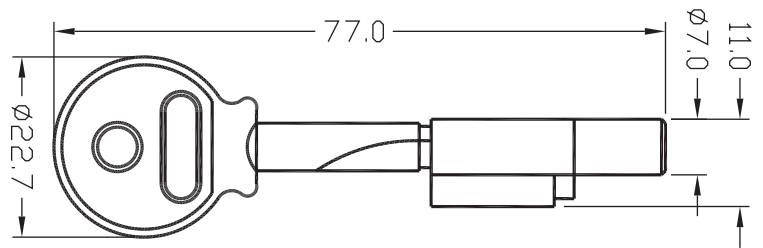
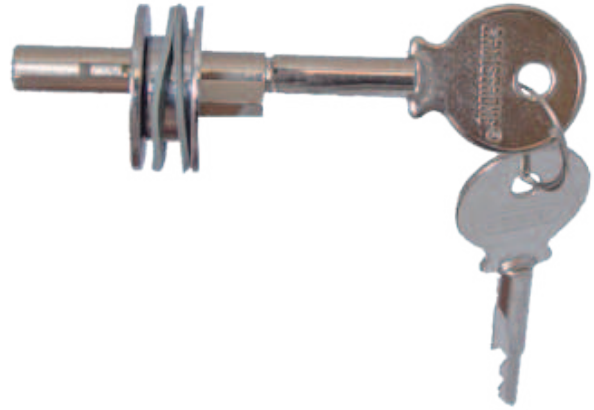
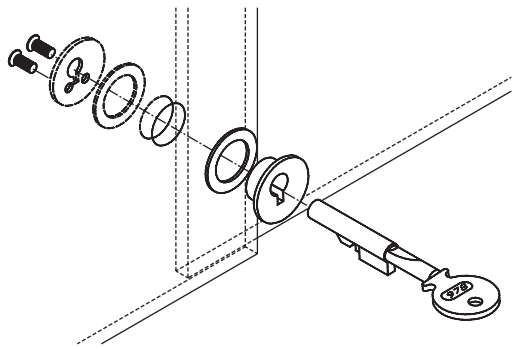


Code	Description	Hole Dia (mm)	Key Removal	Key Type
1635-KD	Plunger push lock	19	In locked position only	Keyed To Differ
1775-KS	Plunger push lock	23	In locked position only	Keyed Alike
1771-KA	Plunger push lock	23	In locked position only	Keyed Alike

DISPLAY CABINET HARDWARE

SLIDING GLASS DOUBLE DOORS

PUSH LOCK



Code	Description	Key Number
C409-KA902	Glass door lock	KA902
C409-KA903	Glass door lock	KA903

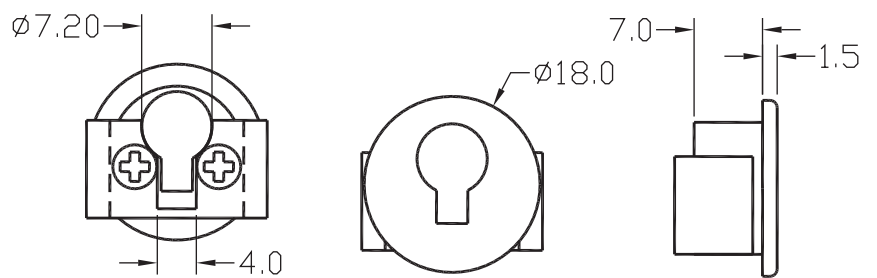
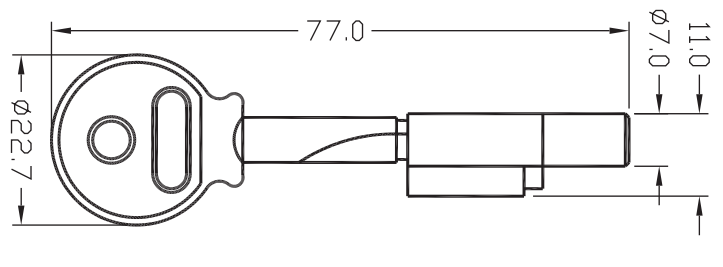
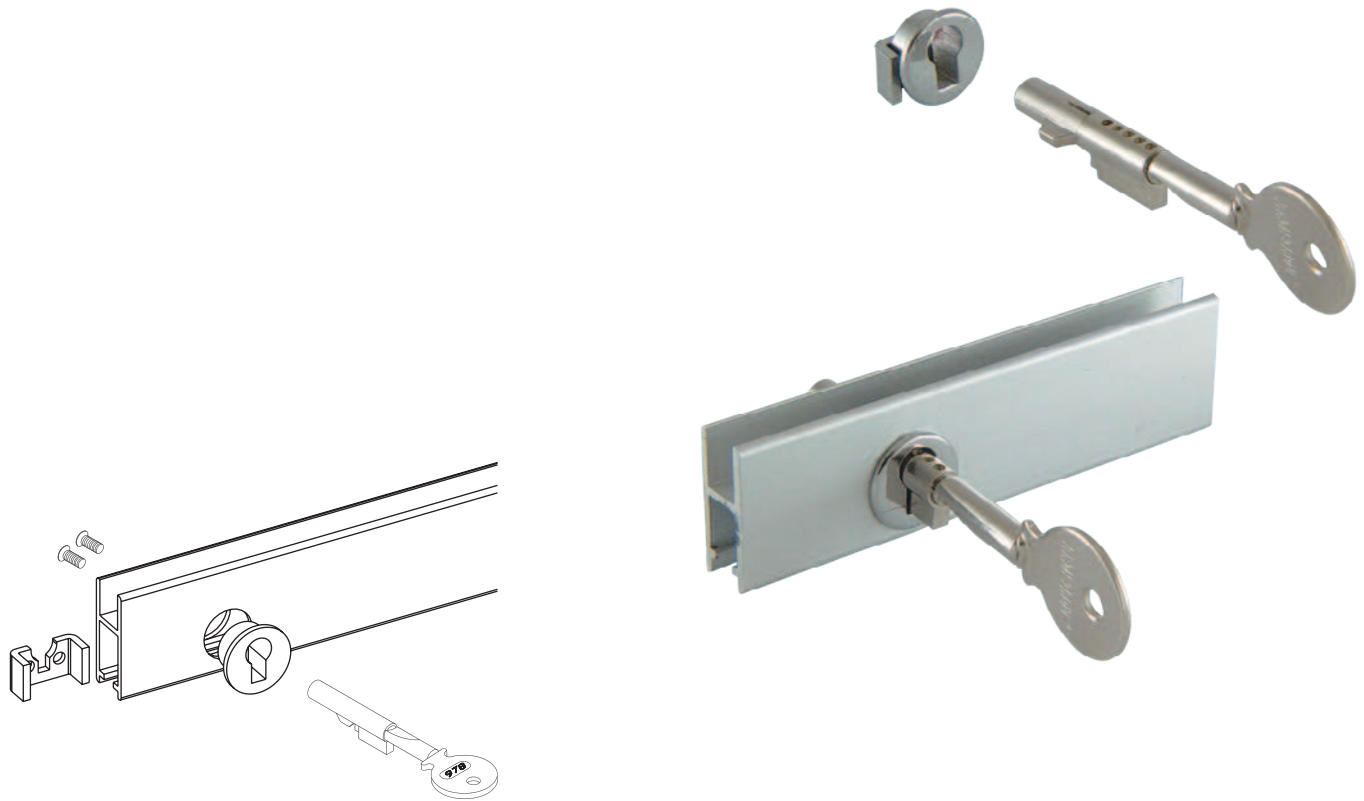
Note: Specifications can change from time to time without notice.
Cut-outs & construction should only be done with the products onsite.

SELECTLOK
NEW ZEALAND LTD

DISPLAY CABINET HARDWARE

SLIDING GLASS DOOR

RAIL LOCK



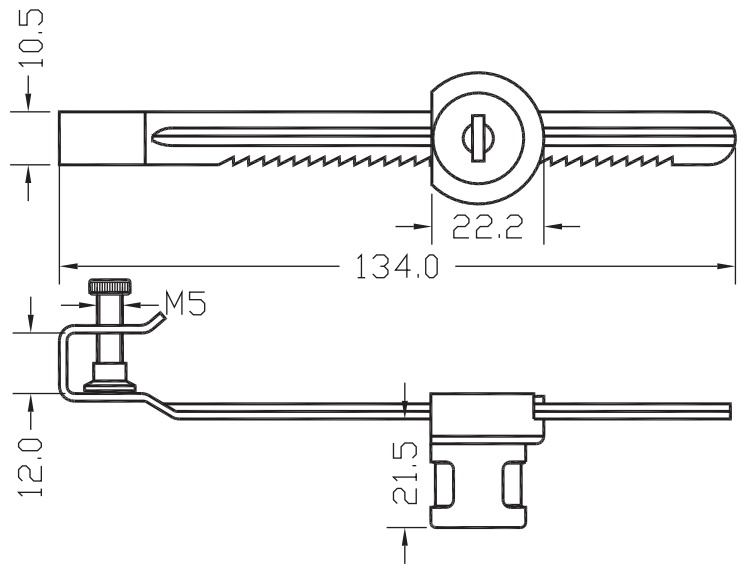
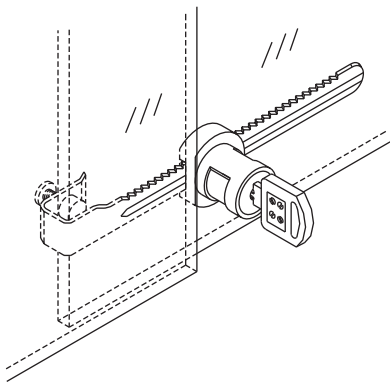
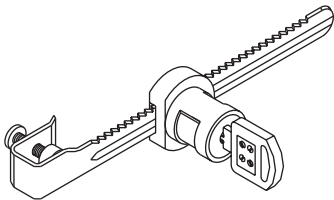
Code	Description	Key Number
C409H-KA902	Glass door lock	KA902

DISPLAY CABINET HARDWARE

SLIDING GLASS DOUBLE DOORS

RATCHET LOCK

NO HOLE REQUIRED IN DOOR



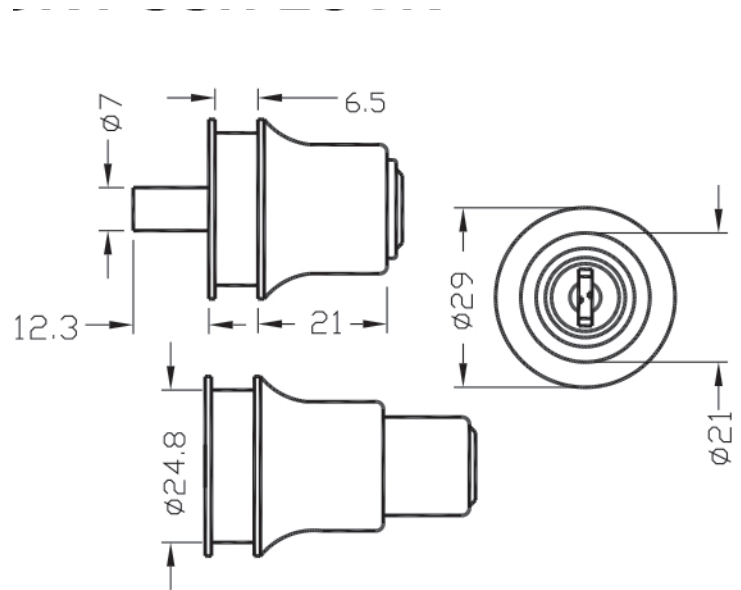
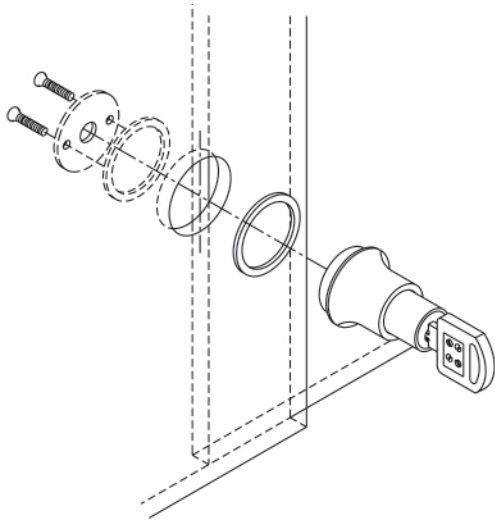
Code	Description	Key Number
C470T-KA610	Glass door lock	KA902
C470T-KD	Glass door lock	Keyed to differ

DISPLAY CABINET HARDWARE

DISPLAY CABINET HARDWARE

SLIDING GLASS DOUBLE DOORS

PUSH LOCK

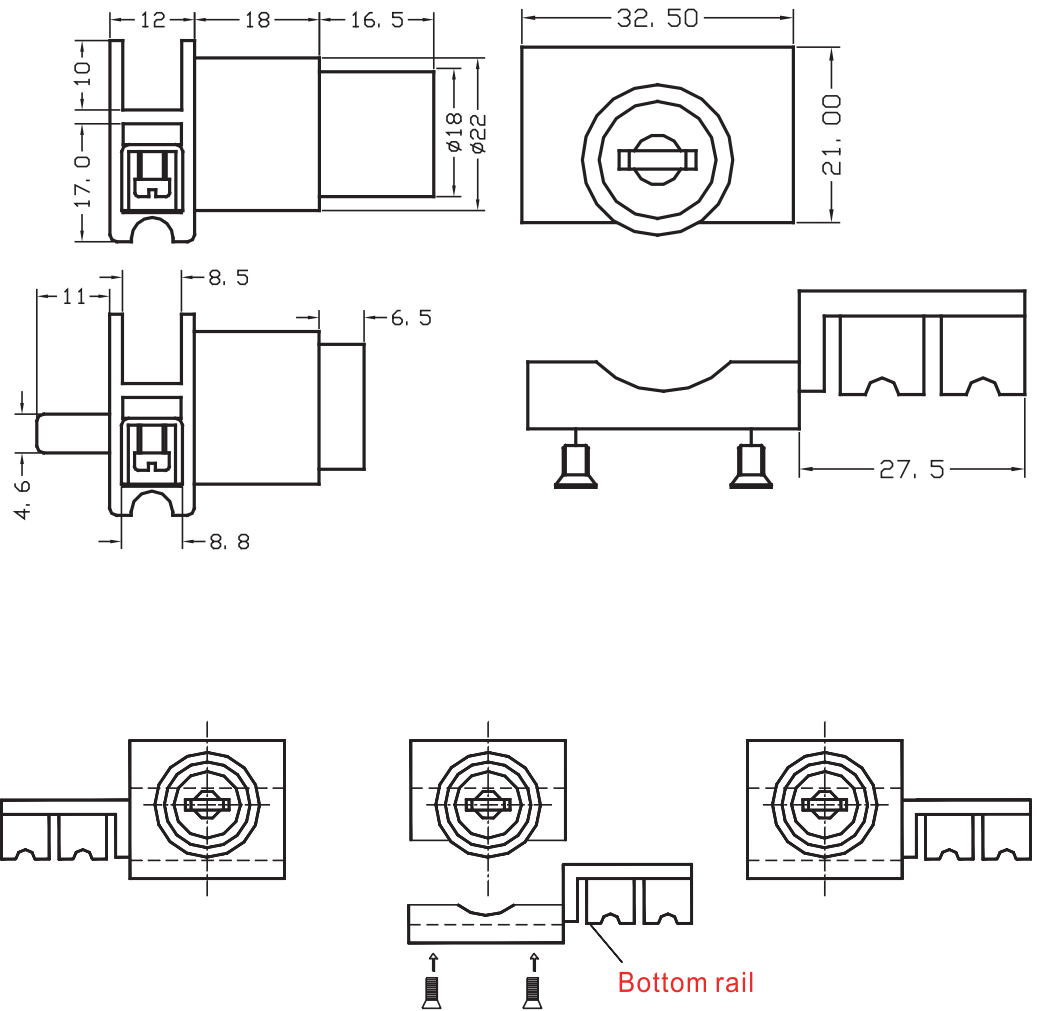
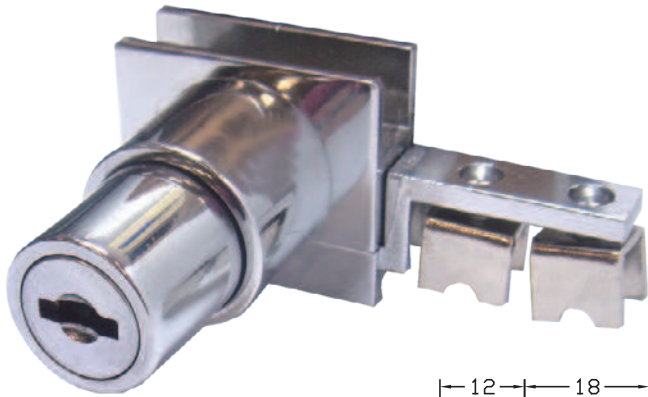


Code	Description	Glass Thickness (mm)	Key Number
C419-KA120	Glass door lock	5-6	KA120

DISPLAY CABINET HARDWARE

SLIDING GLASS DOOR

PUSH LOCK FOR RAIL

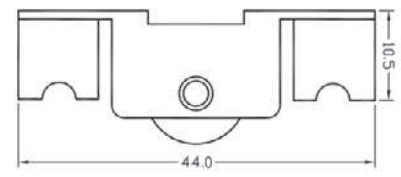
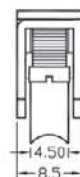
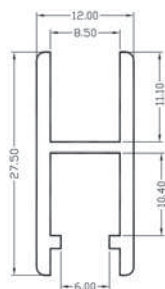
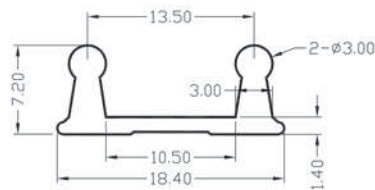
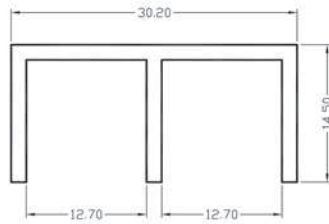
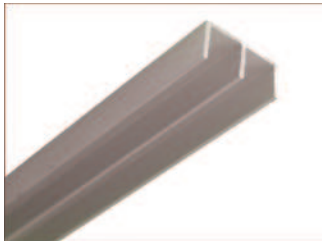
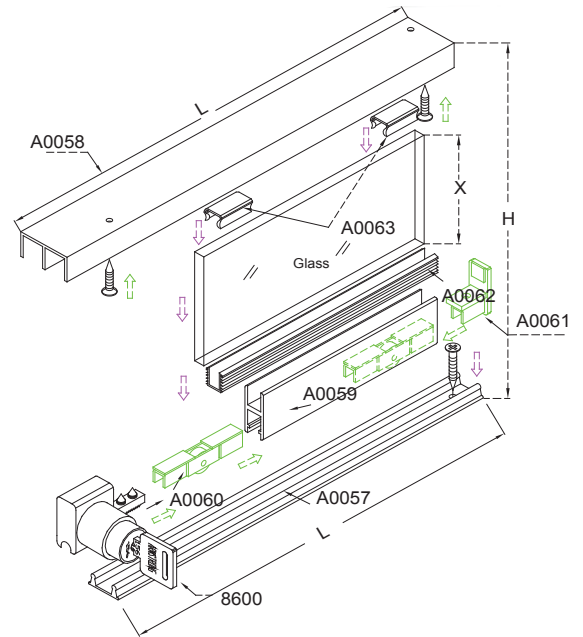


Code	Description	Glass Thickness (mm)	Key Number
C461	Glass door lock to fit A0059-461 rail	5-6	KA902

DISPLAY CABINET HARDWARE

DISPLAY CABINET HARDWARE

SLIDING GLASS DOOR TRACK COMPONENTS

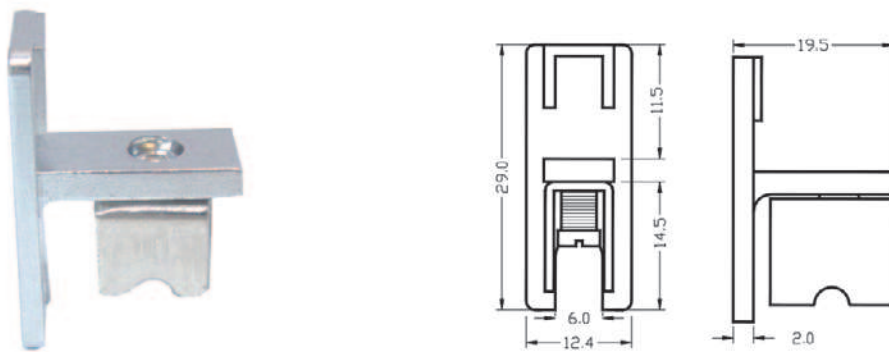
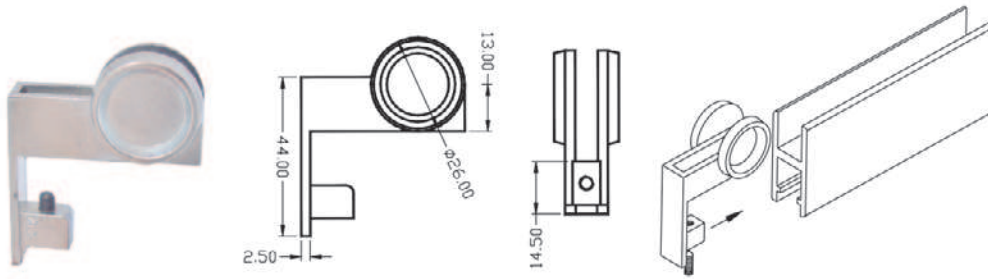


Code	Description	Material / Finish
A0058/2M	2M Top track	Aluminium / Grey
A0057/2M	2M Bottom track	Aluminium / Grey
A0059/2M	2M Glass rail	Aluminium / Grey
A0060B-461	Roller	Brass

DISPLAY CABINET HARDWARE

SLIDING GLASS DOOR TRACK COMPONENTS

TRACK COMPONENTS



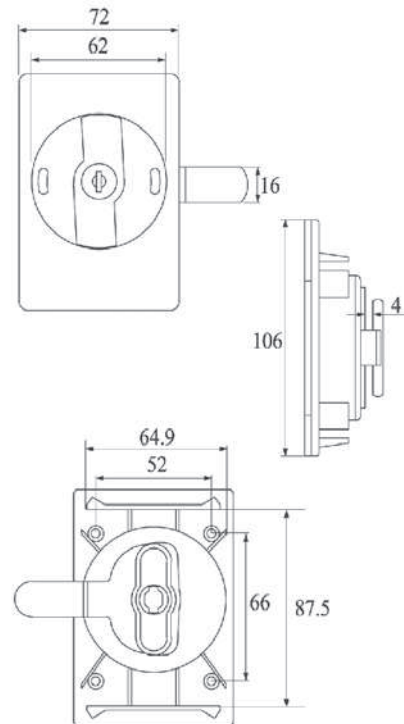
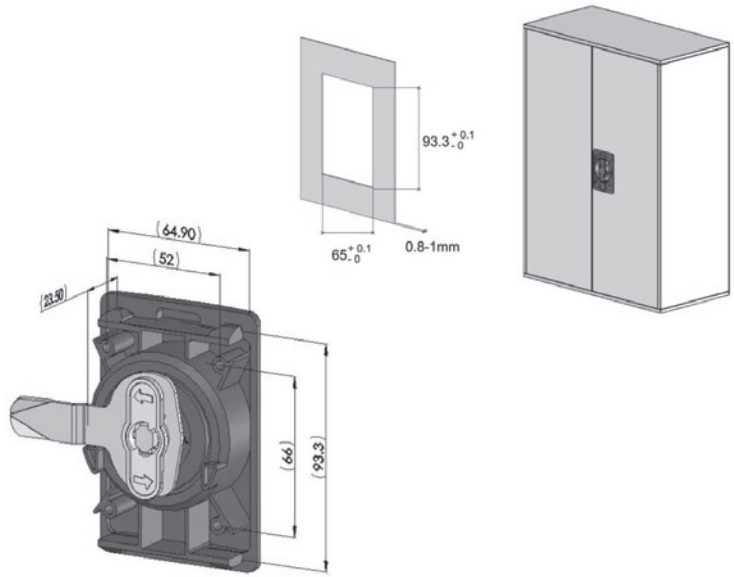
Code	Description	Material / Finish
A0061HMC	End cap with finger grip	Steel / Chrome
A0061MC	End cap	Steel / Chrome
A0062	Spline	Rubber
A0063	Silencer	Plastic

Note: Specifications can change from time to time without notice.
Cut-outs & construction should only be done with the products onsite.

DISPLAY CABINET HARDWARE

LOCKER DOOR KEY LOCK

PLASTIC

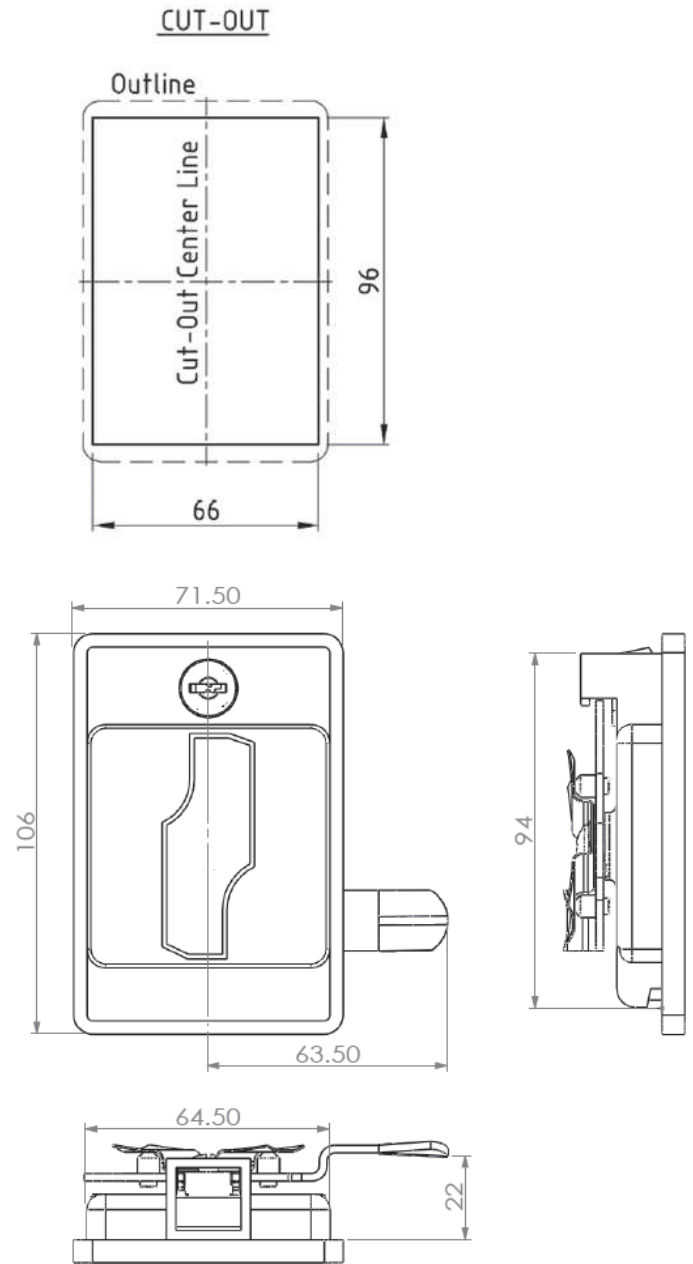


Code	Description	H-Dimension (Grip)	Key Number
LM0547.23.B.00.ZZ	Plastic flush lock	23	Keyed to differ
LM0547.23.B.00.ZZ-01	Plastic flush lock	23	0001 (Keyed alike)

DISPLAY CABINET HARDWARE

LOCKER DOOR KEY LOCK

STEEL



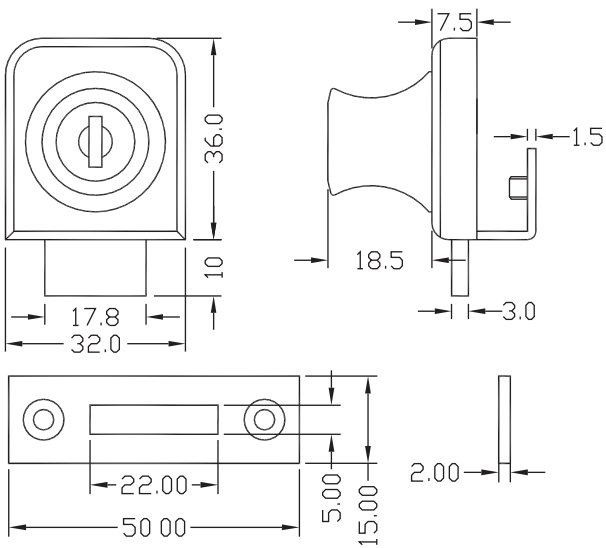
Code	Description	Cam H-Dimension	Handedness
ALFL04	Metal flush lock	22mm	LH
ALFR04	Metal flush lock	22mm	RH

Note: Specifications can change from time to time without notice.
Cut-outs & construction should only be done with the products onsite.

DISPLAY CABINET HARDWARE

HINGED GLASS DOOR KNOB LOCK

NO HOLE REQUIRED IN DOOR

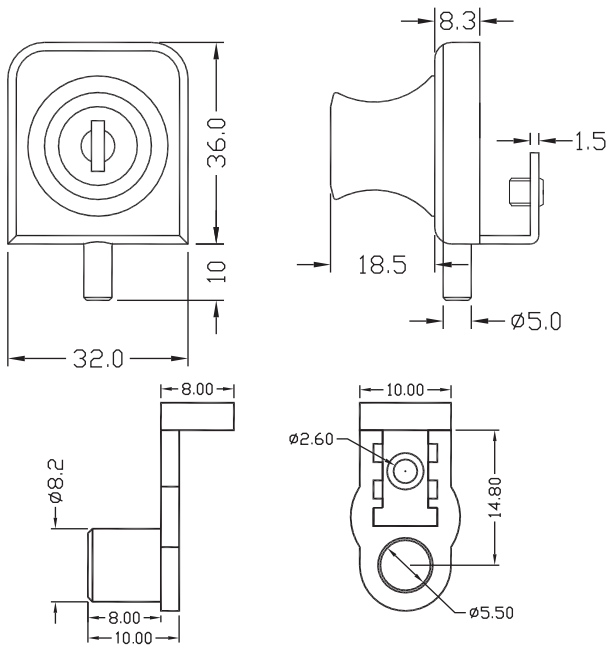
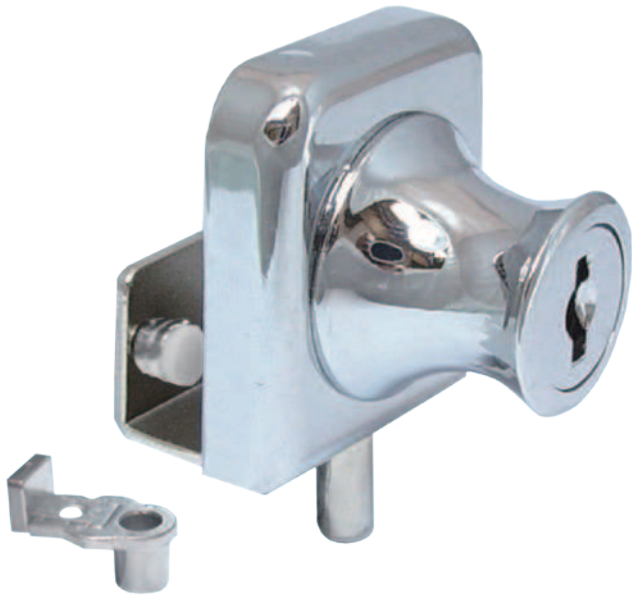


Code	Description	Glass thickness (mm)	Key Number
C407/5	Glass knob lock	5-6	KA120
C407/8	Glass knob lock	8	KA120
C407/12	Glass knob lock	12	KA120

DISPLAY CABINET HARDWARE

HINGED GLASS DOOR KNOB LOCK

NO HOLE REQUIRED IN DOOR

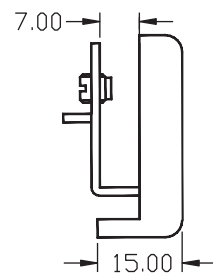
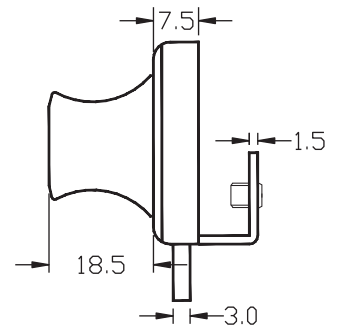
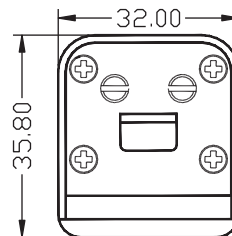
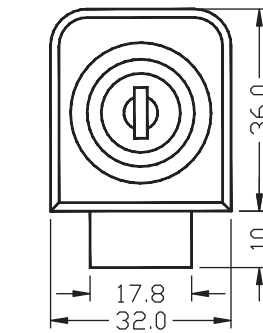
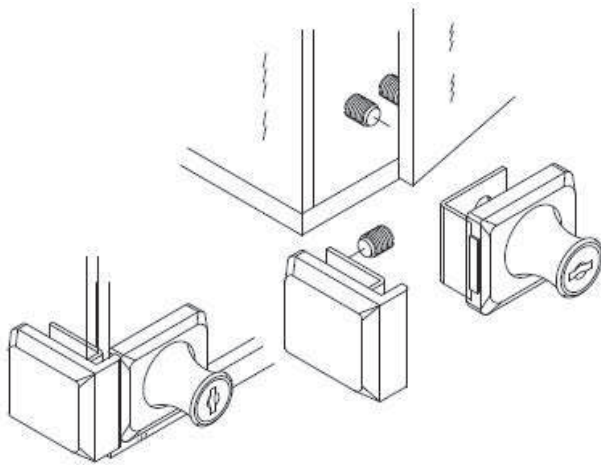


Code	Description	Glass thickness (mm)	Key Number
C407/2-5	Glass knob lock	5-6	KA120

DISPLAY CABINET HARDWARE

HINGED GLASS DOOR KNOB LOCK

NO HOLE REQUIRED IN DOOR

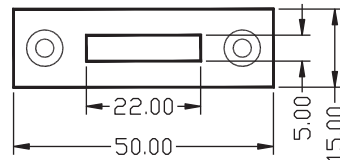
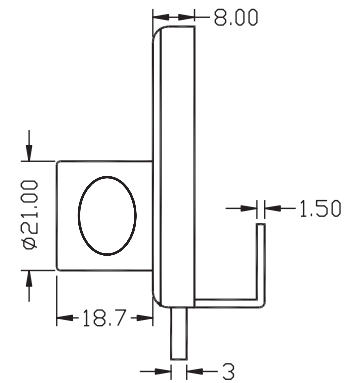
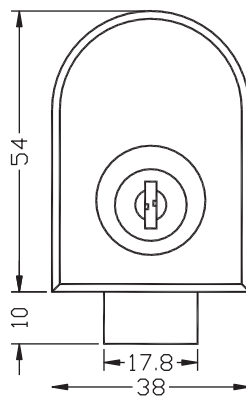
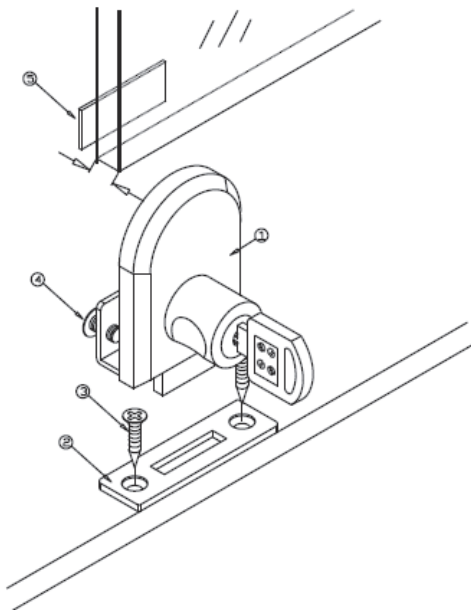


Code	Description	Glass thickness (mm)	Key Number
C407/3-5	Glass knob lock	5-6	KA120

DISPLAY CABINET HARDWARE

HINGED GLASS DOOR KNOB LOCK

NO HOLE REQUIRED IN DOOR



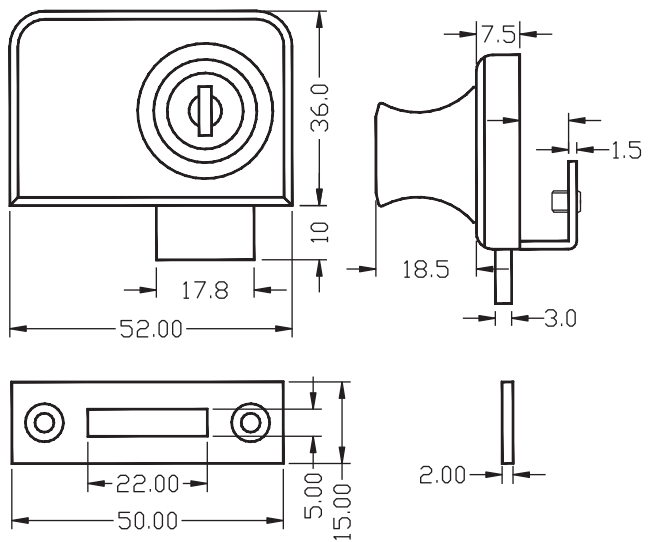
Code	Description	Glass thickness (mm)	Key Number
C408/5	Glass knob lock	5-6	KA120
C408/8	Glass knob lock	8	KA120
C408/12	Glass knob lock	12	KA120

DISPLAY CABINET HARDWARE

DISPLAY CABINET HARDWARE

HINGED GLASS DOUBLE DOORS KNOB LOCK

NO HOLE REQUIRED IN DOOR

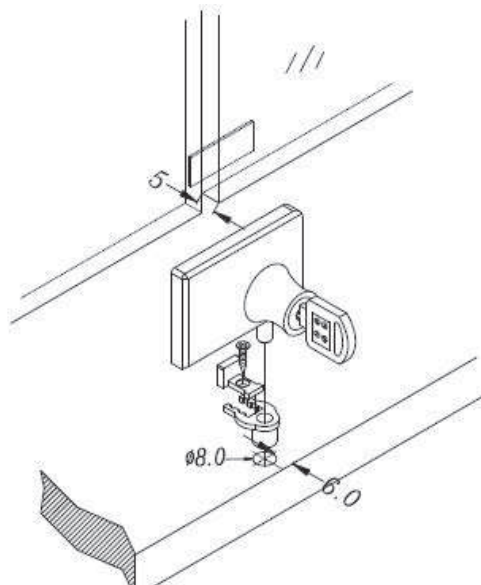
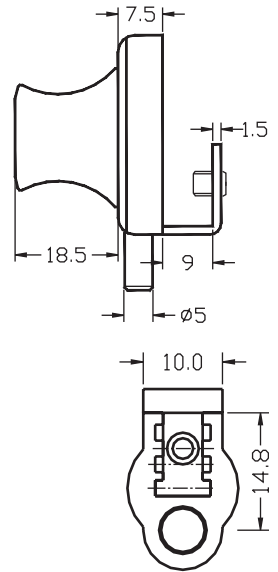
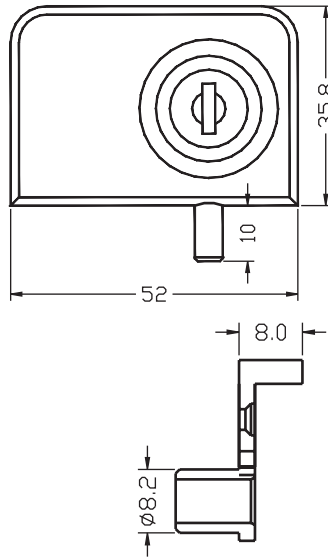


Code	Description	Glass thickness (mm)	Key Number
C417/5	Double door glass knob lock	5-6	KA120
C417/8	Glass knob lock	8	KA120
C417/12	Glass knob lock	12	KA120

DISPLAY CABINET HARDWARE

HINGED GLASS DOUBLE DOOR KNOB LOCK

NO HOLE REQUIRED IN DOOR

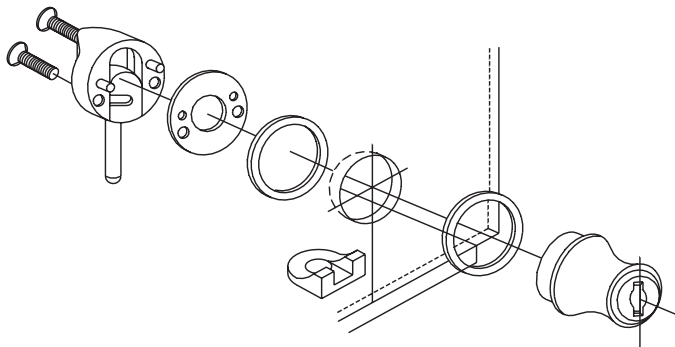
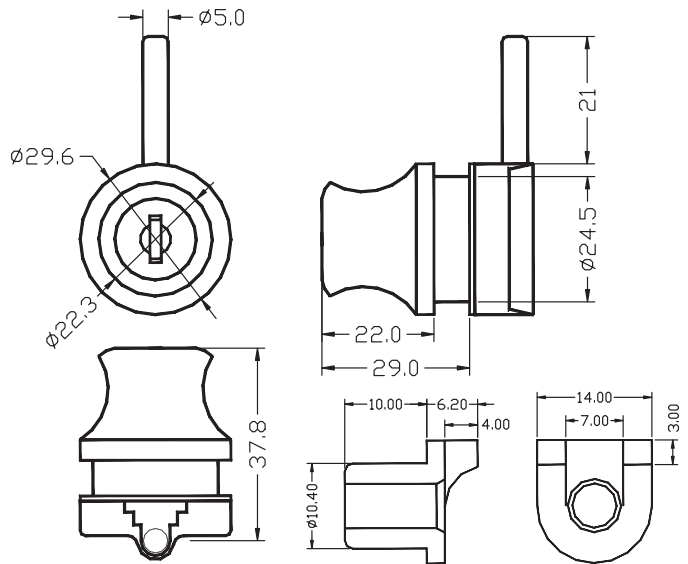


Code	Description	Glass Thickness (mm)	Key Number
C417-2/5	Glass knob lock	5-6	KA120

DISPLAY CABINET HARDWARE

DISPLAY CABINET HARDWARE

HINGED GLASS DOOR LOCK



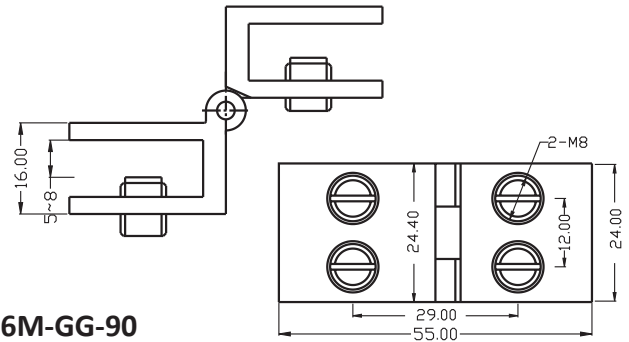
Code	Description	Glass Thickness (mm)	Key Number
C420-KA120	Glass door lock	5-6	KA120
C420-10-KA120	Glass door lock	8-10	KA120
C420-KD	Glass door lock	5-6	Keyed to differ

DISPLAY CABINET HARDWARE

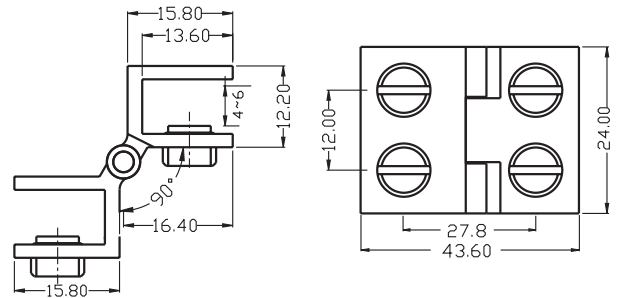
HINGED GLASS DOOR

DOOR HINGE GLASS TO GLASS

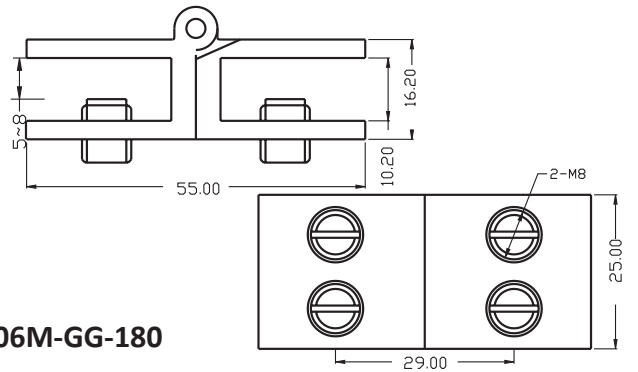
NO HOLE REQUIRED IN DOOR



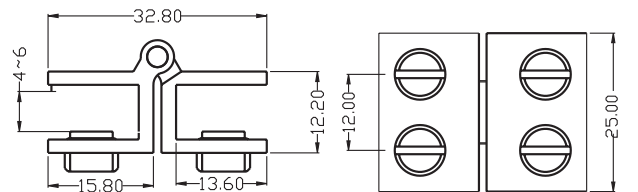
C3010B-06M-GG-90



C3010B-06S-GG-90



C3010B-06M-GG-180



C3010B-06S-GG-180

Code	Description	Material / Finish
C3010B-06S-GG-90	90° Hinge for 4-6mm glass, 6kg total	Brass / Chrome
C3010B-06M-GG-90	90° Hinge for 5-8mm glass, 8kg total	Brass / Chrome
C3010B-06S-GG-180	180° Hinge for 4-6mm glass, 6kg total	Brass / Chrome
C3010B-06M-GG-180	180° Hinge for 5-8mm glass, 8kg total	Brass / Chrome

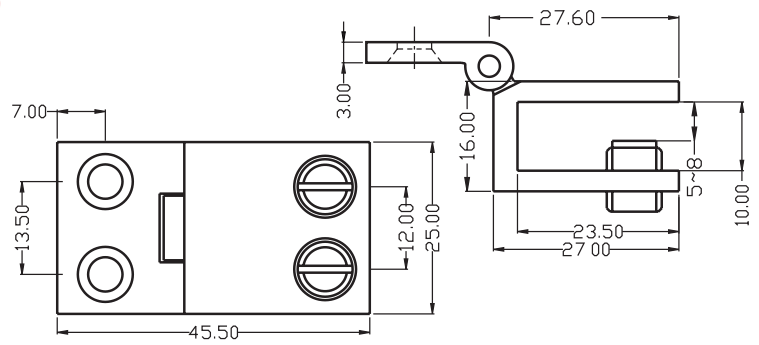
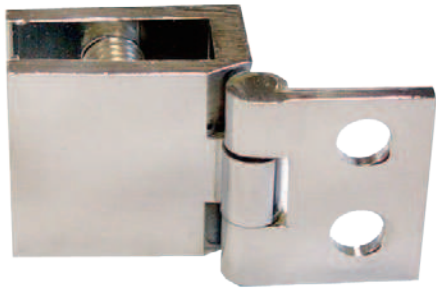
Note: Specifications can change from time to time without notice.
Cut-outs & construction should only be done with the products onsite.

DISPLAY CABINET HARDWARE

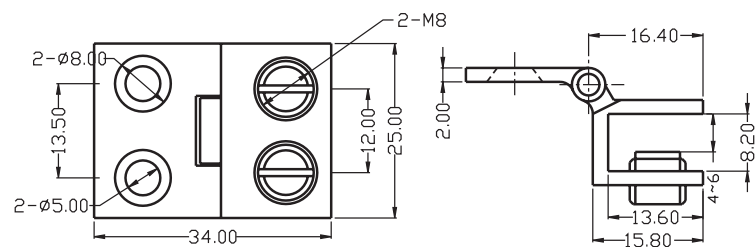
HINGED GLASS DOOR

DOOR HINGE GLASS TO WOOD

NO HOLE REQUIRED IN DOOR



C3010B-06M-GW-90



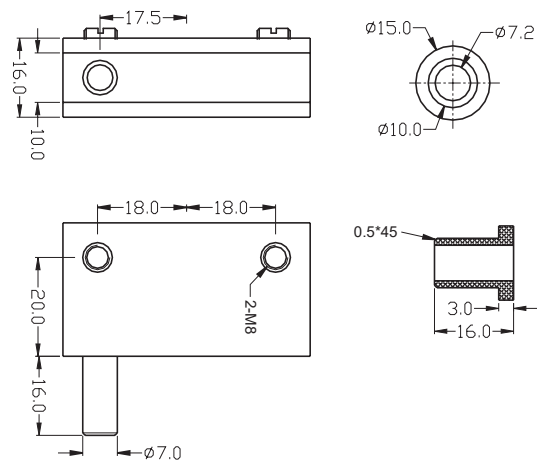
C3010B-06S-GW-90

Code	Description	Material / Finish
C3010B-06S-GW-90	90° Hinge for 4-6mm glass, 6kg total	Brass / Chrome
C3010B-06M-GW-90	90° Hinge for 5-8mm glass, 8kg total	Brass / Chrome

HINGED GLASS DOOR

DOOR HINGE PIN MOUNT

NO HOLE REQUIRED IN DOOR



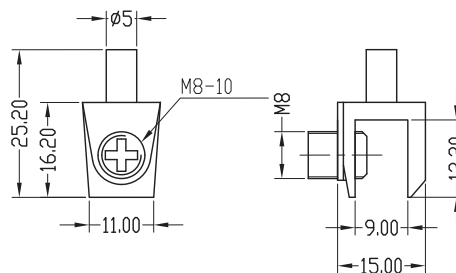
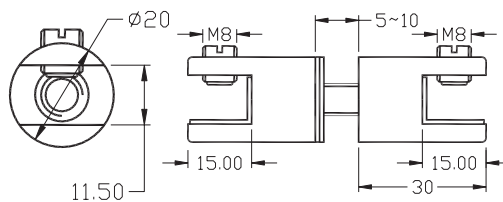
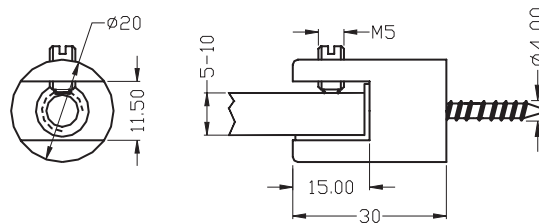
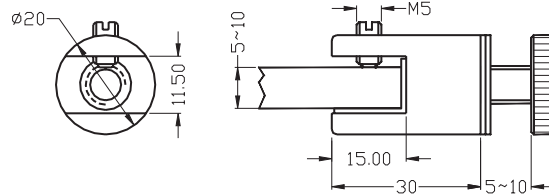
Code	Description	Material / Finish
C3010B-09-L/SCREWS	Hinge for 6-8mm glass, 10kg total	Brass / Chrome

DISPLAY CABINET HARDWARE

GLASS CABINET

SHELF CONNECTORS

GLASS TO GLASS & GLASS TO WOOD

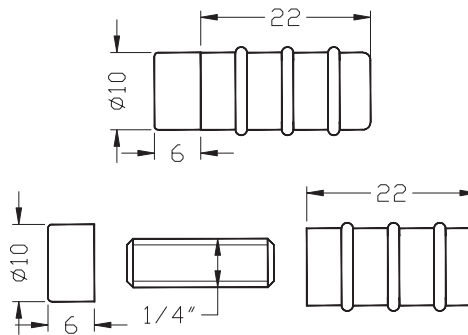
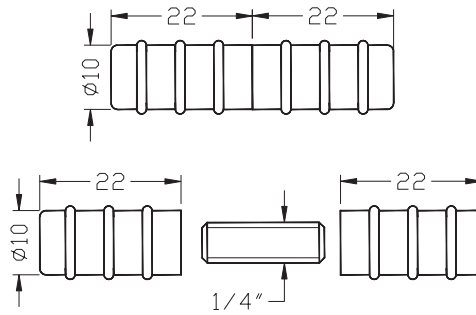
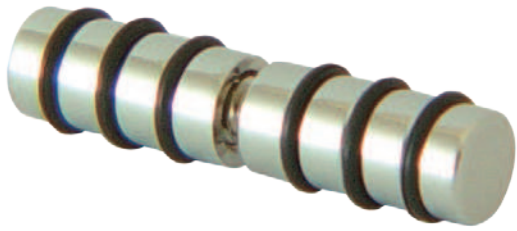


Code	Description	Material / Finish
C3230S-01	5-10mm glass shelf to glass wall	Steel / Chrome
C3230S-02	5-10mm glass shelf to wood wall	Steel / Chrome
C3230S-03	5-10mm glass shelf to glass shelf	Steel / Chrome
C3230Z-06	5-8mm glass shelf to wood wall	Zinc / Chrome

DISPLAY CABINET HARDWARE

DISPLAY CABINET HARDWARE

GLASS CABINET SHELF SUPPORTS FOR GLASS WALL



Code	Description	Material / Finish
3230-04	Glass shelf support with rubber cushion	Steel / Chrome
3230-05	Glass shelf support with rubber cushion	Steel / Chrome

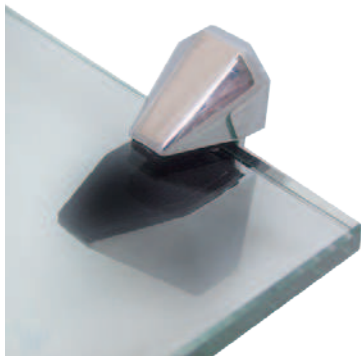
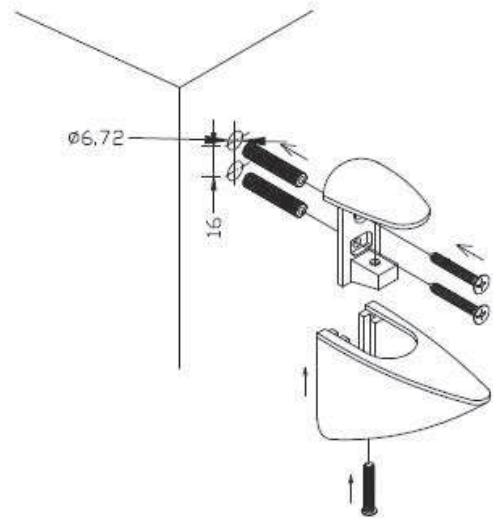
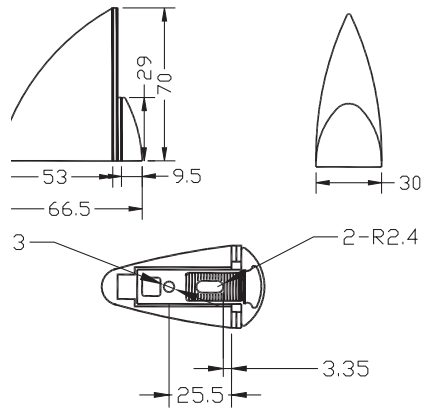
DISPLAY CABINET HARDWARE

GLASS CABINET

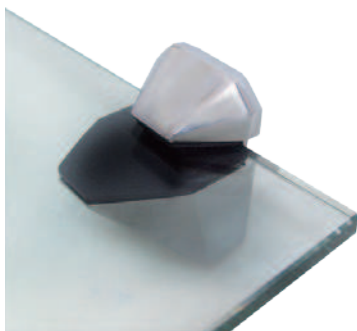
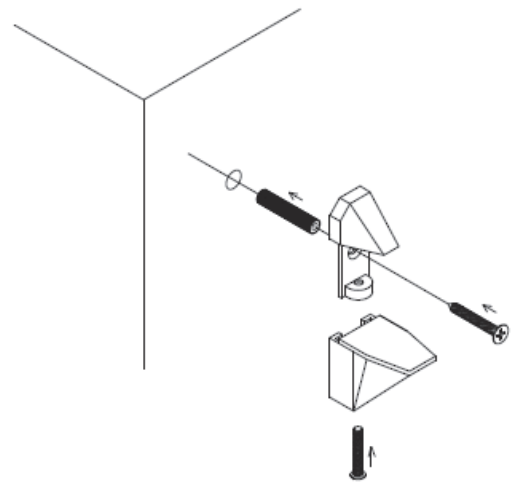
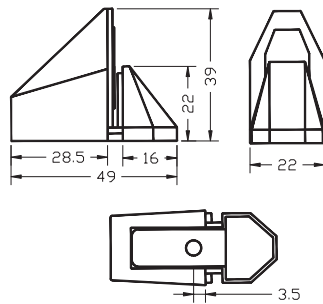
SHELF SUPPORTS FOR WOOD WALLS



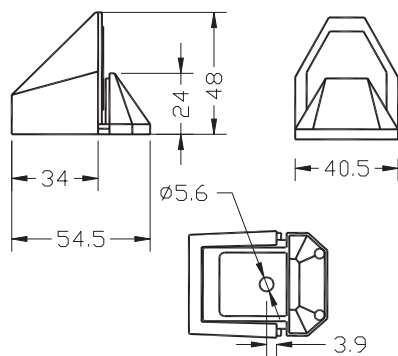
3520-01



3520-02



3520-03



Code	Description	Material / Finish
3520-01	4-12mm glass shelf support	Zinc / Chrome
3520-02	4-12mm glass shelf support	Zinc / Chrome
3520-03	4-12mm glass shelf support	Zinc / Chrome

DISPLAY CABINET HARDWARE