

<b>14 OVER CENTRE FASTENERS</b>	<b>Pages</b>
316SS Hasp & Staple Over Centre Latch	2
Toggle Clamps - Vertical, In-Line, Horizontal, Hook & Loop	3 - 4
Adjustable Padlockable Over Centre Latches	5 - 6
Large Safety Latching Over Centre Latches	7
Large Non Locking & Padlockable Over Centre Latches	8
Large Key Locking Over Centre Latches	9
Large Alternative Hooks For Over Centre Latches	10
Medium Non Locking & Padlockable Over Centre Latches	11
Small Non-Locking & Safety Latching Over Centre Latches	12 - 13
Small Non-Locking & Padlockable Over Centre Latches	14 - 15
Small Adjustable Safety Latching Over Centre Latches	16
Small Adjustable Non-Locking & Safety Latching Over Centre Latches	17
Small Adjustable Padlockable Over Centre Latches	18
Extra Large Adjustable Heavy Duty Over Centre Latch	19
Extra Large Heavy Duty Weld On Over Centre Latch	20

## 14 OVER CENTRE FASTENERS



# OVER CENTRE FASTENERS

## HASP & STAPLE LATCH

### PADLOCKABLE

### 316 STAINLESS STEEL

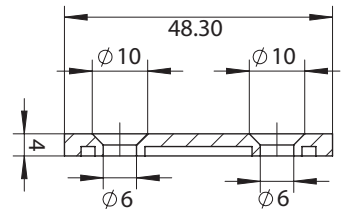
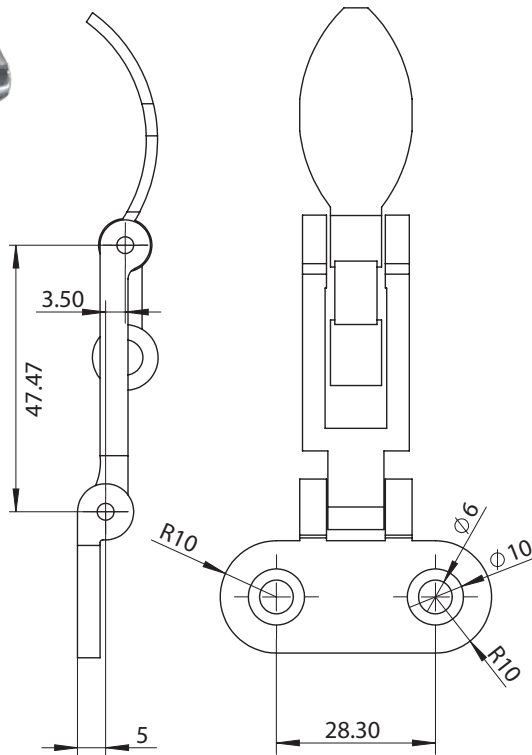
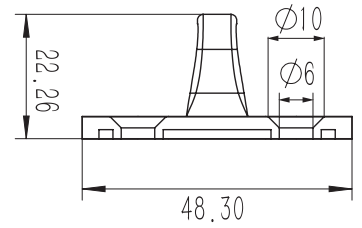
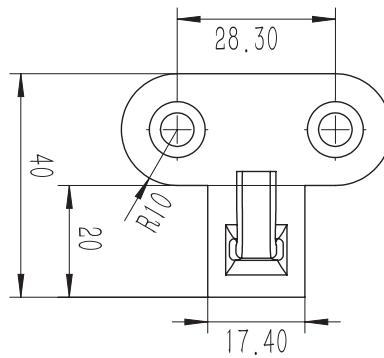
- Padlockable hasp and staple with overcentre action
- Suitable for marine locker applications
- 316 Stainless steel



Latch closed



Latch open



Code	Overall (mm)	Padlock Hole (mm)
DX316-HS-111	111L x 50W x 28H	6.3

Note: Specifications can change from time to time without notice.  
Cut-outs & construction should only be done with the products onsite.

**SELECTLOK**  
NEW ZEALAND LTD

# OVER CENTRE FASTENERS

## TOGGLE CLAMP VERTICAL STEEL

- For clamping materials for wood work and metal work
- Pull handle up to vertical locked position
- Handle shown in locked position



MP-12265



MP-12050



MP-101B



MP-101A

Code	Dimensions	Mounting	Load
MP-12265	64W x 141L	Base	340kg
MP-101B	30W x 70W	Side	100kg
MP-12050	40W x 64L	Base	91kg
MP-101A	33W x 51L	Base	50kg

## TOGGLE CLAMP IN-LINE STEEL

- For clamping materials for wood work and metal work
- Base mount models; push handles forward to lock
- Bracket mount models can be custom mounted through a hole and secured with the lock nut
- Handle shown in locked position



MP-304EM



MP-36224M



MP-302FM



MP-36204M



MP-301AM



MP-36202M

Code	Dimensions	Mounting	Load
MP-304EM	57W x 163L	Base	386kg
MP-302FM	56W x 140L	Base	136kg
MP-301AM	27W x 68L	Base	45kg
MP-36224M	39W x 171L	Thru-hole	318kg
MP-36204M	31W x 115L	Thru-hole	136kg
MP-36202M	24W x 171L	Thru-hole	91kg

# OVER CENTRE FASTENERS

## TOGGLE CLAMP HORIZONTAL

### STEEL

- For clamping materials for wood work and metal work
- Push handle down to horizontal locked position
- Handle shown in locked position



MP-200WL

Code	Dimensions	Mounting	Load
MP-200WL	50W x 290L	Base	400kg
MP-20235	57W x 262L	Base	340kg
MP-202FL	46W x 230L	Side	227kg
MP-225D	35W x 108L	Base	227kg
MP-21502B	40W x 171L	Base	150kg
MP-201B	36W x 142L	Base	90kg
MP-20752B	27W x 109L	Base	75kg
MP-201	24W x 79L	Base	27kg



MP-20235



MP-202FL



MP-225D



MP-21502B



MP-201B



MP-20752B



MP-201

## TOGGLE CLAMP OVER CENTRE

### PULL HOOK & LOOP

### STEEL

- For clamping materials for wood work and metal work
- Push handle down to horizontal locked position
- Handle shown in locked position



MP-40341

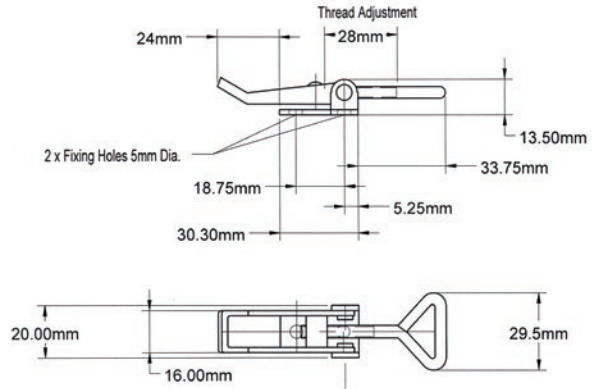
Code	Dimensions	Mounting	Load
MP-40341	54W x 169L	Base	900kg

Note: Specifications can change from time to time without notice.  
Cut-outs & construction should only be done with the products onsite.

# OVER CENTRE FASTENERS

## SMALL NON-LOCKING STEEL & STAINLESS STEEL

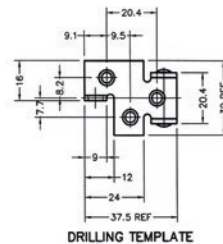
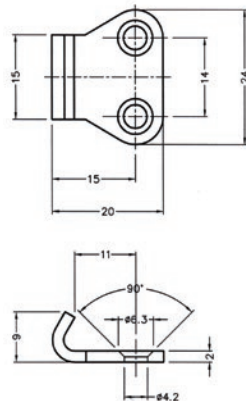
- Small size non-locking toggle latches



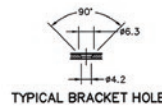
Code	Component	Material / Finish
9171	Non-locking latch	Steel / Zinc
92106-1	Hook	Steel / Zinc
9171SS	Non-locking latch	304 S/Steel
92106-1SS	Hook	304 S/Steel

## SMALL PADLOCKABLE STEEL & STAINLESS STEEL

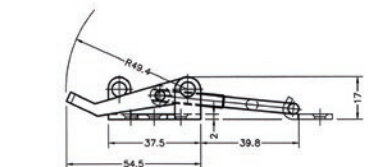
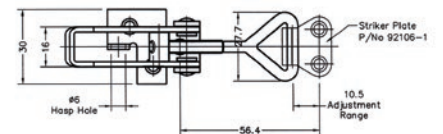
- Small size padlockable toggle latches



DRILLING TEMPLATE



TYPICAL BRACKET HOLE



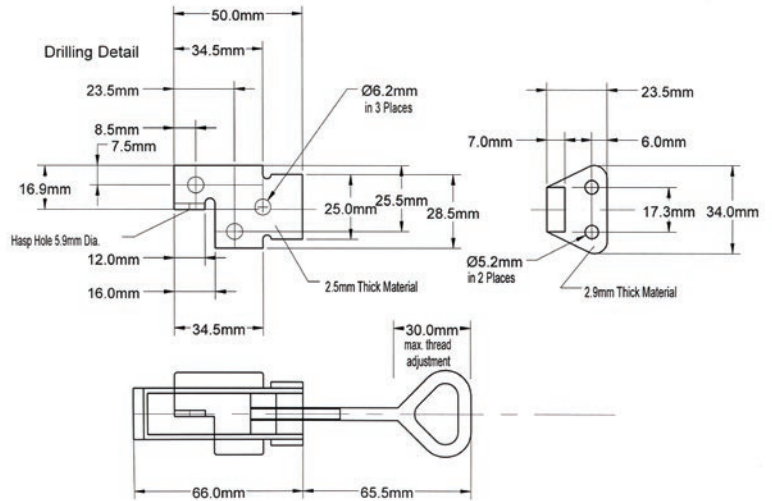
Code	Component	Material / Finish
92106	Padlockable latch	Steel / Zinc
92106-1	Hook	Steel / Zinc
92106SS	Padlockable latch	304 S/Steel
92106-1SS	Hook	304 S/Steel



# OVER CENTRE FASTENERS

## MEDIUM PADLOCKABLE STEEL & STAINLESS STEEL

- Medium size padlockable toggle latches

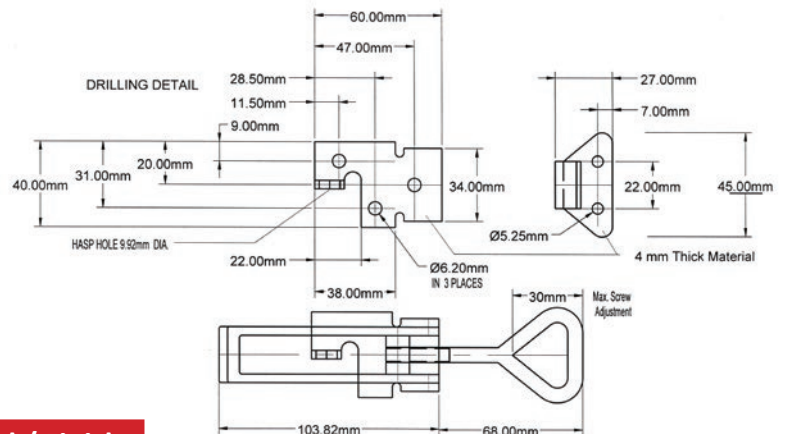


Code	Component	Material / Finish
92105	Padlockable Latch	Steel / Zinc
92105-1	Hook	Steel / Zinc
92105SS	Padlockable Latch	304 S/Steel
92105-1SS	Hook	304 S/Steel



## LARGE PADLOCKABLE STEEL & STAINLESS STEEL

- Large size non-locking, padlockable and safety clip toggle latches



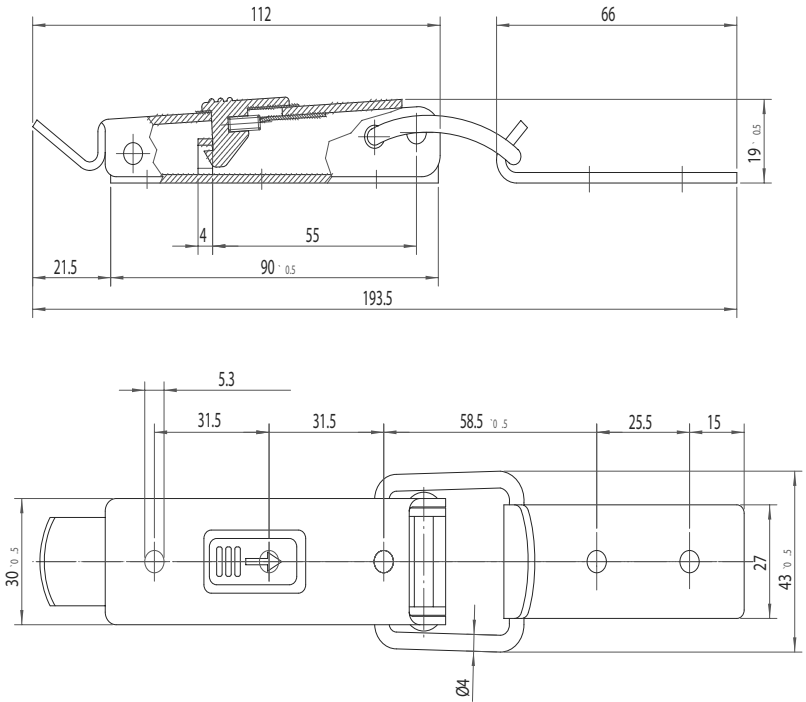
Code	Type / Component	Material / Finish
90703	Non-locking latch	Steel / Zinc
92104	Padlockable latch	Steel / Zinc
92104LC	Padlockable latch with safety clip	Steel / Zinc
92104-1	Hook	Steel / Zinc
92104SS	Latch	304 S/Steel
92104-1SS	Hook	304 S/Steel



# OVER CENTRE FASTENERS

## LARGE SAFETY LATCHING STEEL & STAINLESS STEEL

- Safety latching
- Max safe load 2000N
- Ultimate tension 4000N

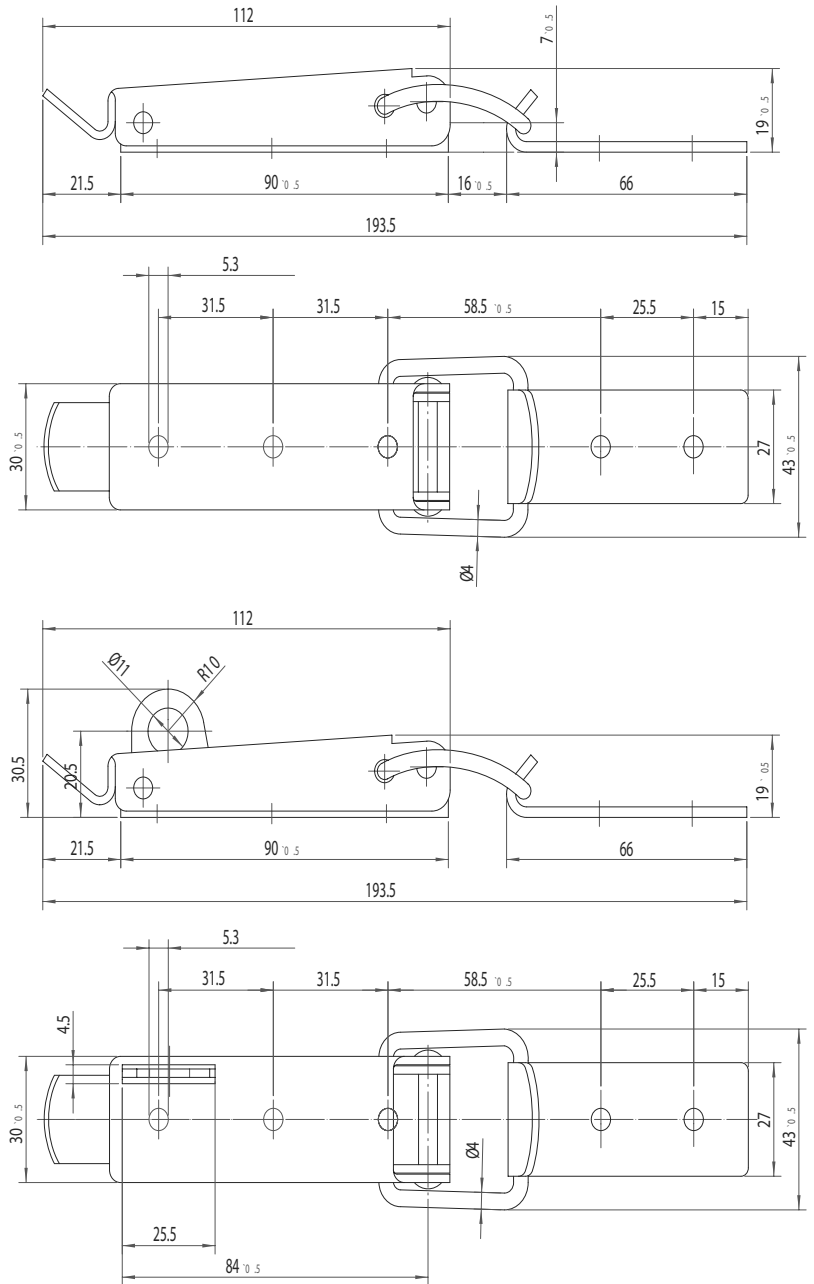


Code	Type / Component	Material / Finish
TOG-2.00.02.01/6	Safety latching	Steel / Nickel
TSP-2.00.00.01/5	Hook	Steel / Nickel
TOG-2.00.02.30/6	Safety latching	304 S/Steel
TSP-2.00.00.30/5	Hook	304 S/Steel

# OVER CENTRE FASTENERS

## LARGE NON-LOCKING & PADLOCKABLE STEEL & STAINLESS STEEL

- Packlockable option
- Max safe load 2000N
- Ultimate tension 4000N



Code	Type / Component	Material / Finish
TOG-2.00.00.01/6	Non-locking latch	Steel / Nickel
TOG-2.00.01.01/6	Padlockable latch	Steel / Nickel
TSP-2.00.00.01/5	Hook	Steel / Nickel
TOG-2.00.00.30/6	Non-locking latch	304 S/Steel
TOG-2.00.01.30/6	Padlockable latch	304 S/Steel
TSP-2.00.00.30/5	Hook	304 S/Steel

Note: Specifications can change from time to time without notice.  
Cut-outs & construction should only be done with the products onsite.

**SELECTLOK**  
NEW ZEALAND LTD

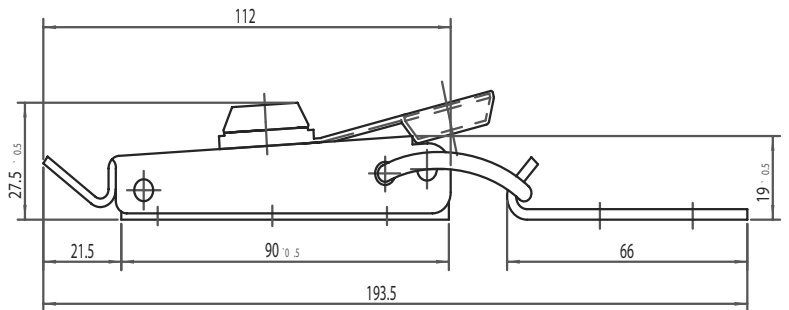
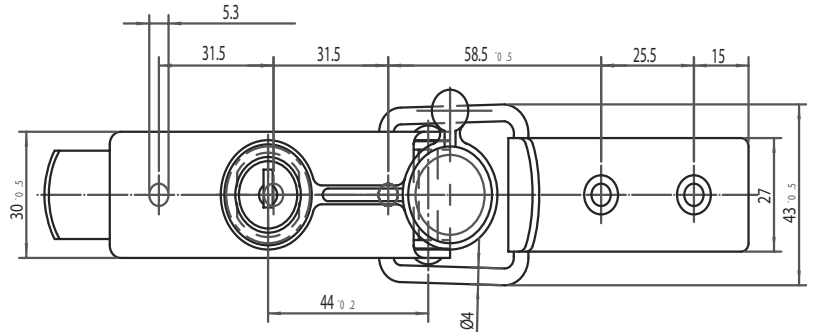


# OVER CENTRE FASTENERS

## LARGE KEY LOCKING

### STEEL & STAINLESS STEEL

- Key lockable
- Dust-cap
- Black EDP coating
- Max safe load 2000N
- Ultimate tension 4000N



Code	Material / Finish	Description
TOG-2.00.03.06/6	Steel / EPDM Black	Toggle latch
TSP-2.00.00.06/5	Steel / EPDM Black	Strike

# OVER CENTRE FASTENERS

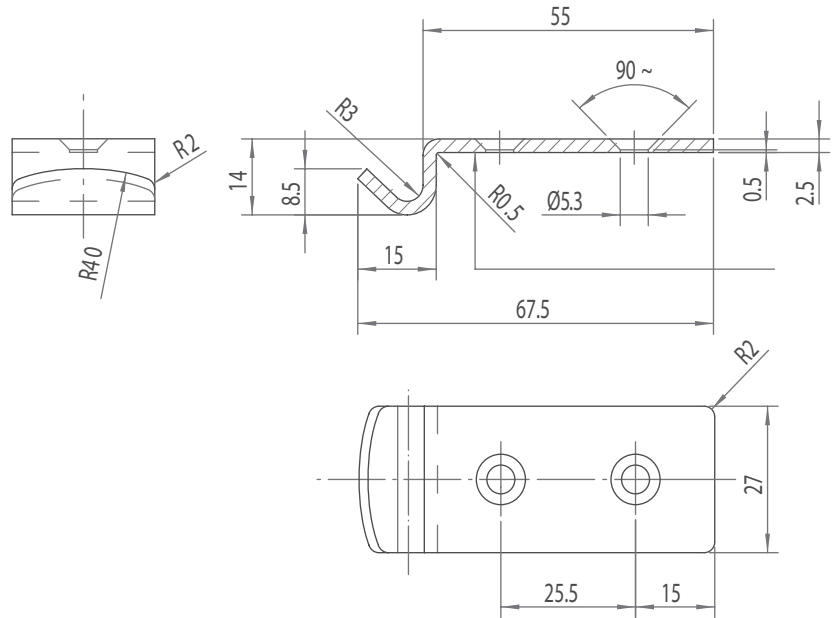
## LARGE ALTERNATIVE HOOKS

### STEEL & STAINLESS STEEL

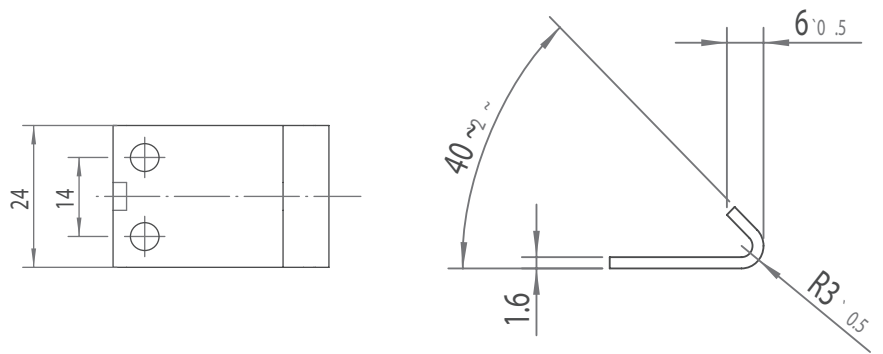
- Alternative hook options



TSP-CL709-##



TSP-TL600-5

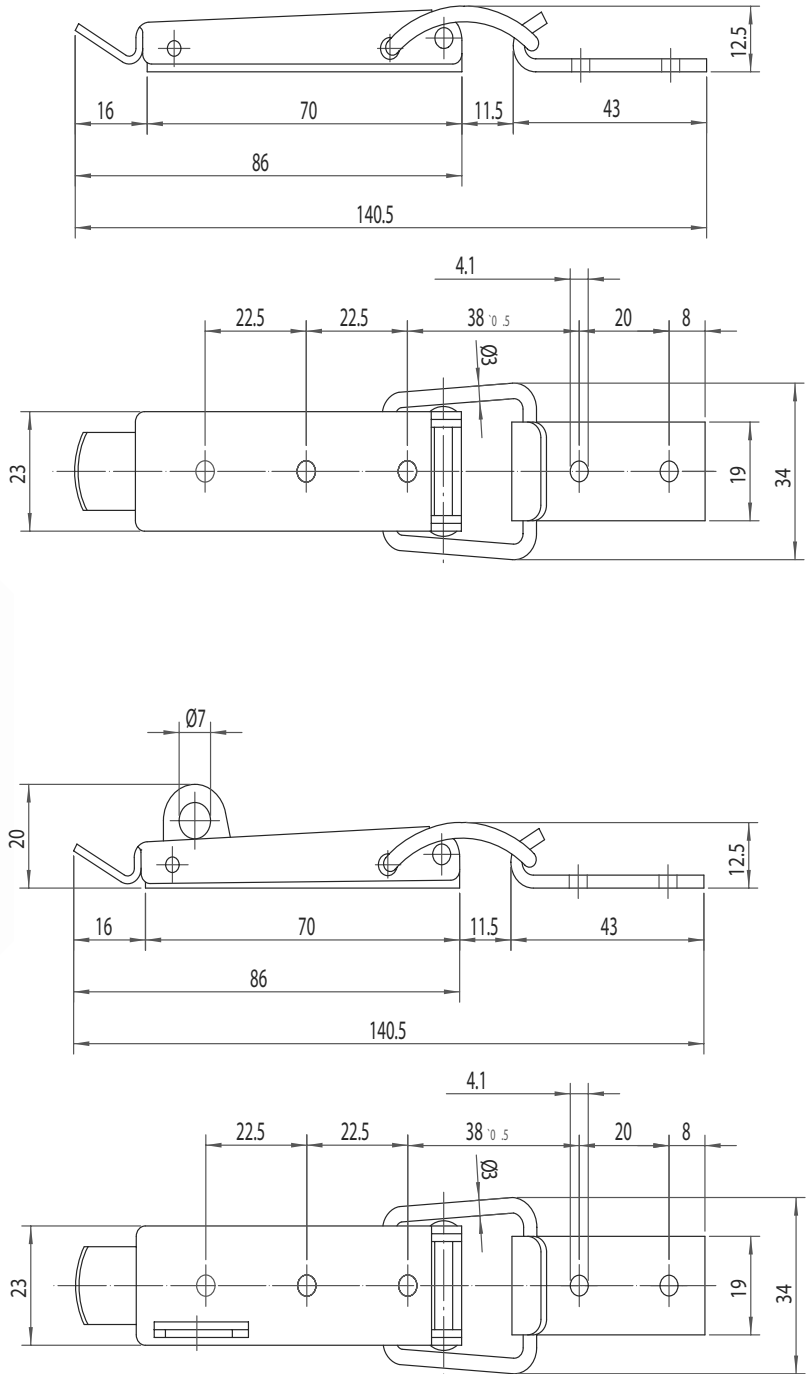


Code	Type / Component	Material / Finish
TSP-CL709-01	Hook	Steel / Nickel
TSP-TL600-5	Hook	Steel / Nickel
TSP-CL709-30	Hook	304 S/Steel

# OVER CENTRE FASTENERS

## MEDIUM NON-LOCKING & PADLOCKABLE STEEL & STAINLESS STEEL

- Packlockable option
- Max safe load 1500N
- Ultimate tension 3000N

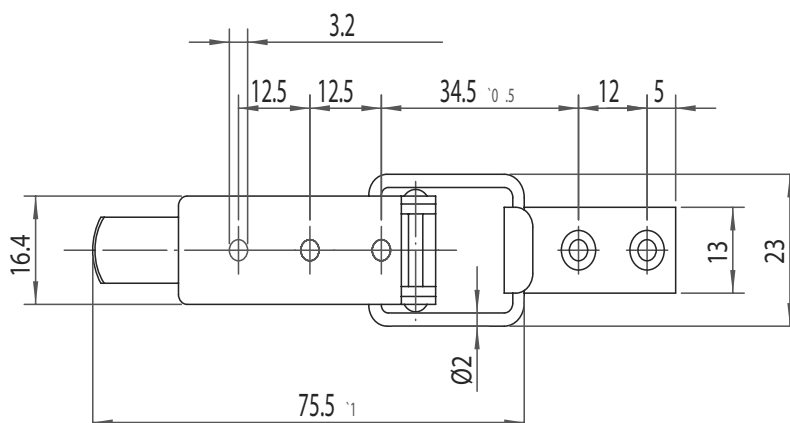
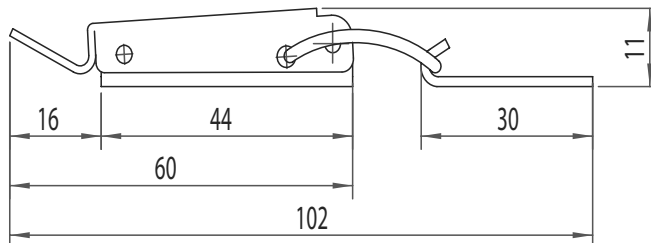


Code	Type / Component	Material / Finish
TOG-2.01.00.01/6	Non-locking latch	Steel / Nickel
TOG-2.01.01.01/6	Padlockable latch	Steel / Nickel
TSP-2.01.00.01/5	Hook	Steel / Nickel
TOG-2.01.00.30/6	Non-locking latch	304 S/Steel
TOG-2.01.01.30/6	Padlockable latch	304 S/Steel
TSP-2.01.00.30/5	Hook	304 S/Steel

# OVER CENTRE FASTENERS

## SMALL NON-LOCKING STEEL & STAINLESS STEEL

- No padlock hoop
- Max safe load 550N
- Ultimate tension 1300N



Code	Material / Finish	Component
TOG-2.03.00.01/6	Steel / Nickel	Latch
TSP-2.03.00.01/5	Steel / Nickel	Hook
TOG-2.03.00.30/6	304 S/Steel	Latch
TSP-2.03.00.30/5	304 S/Steel	Hook

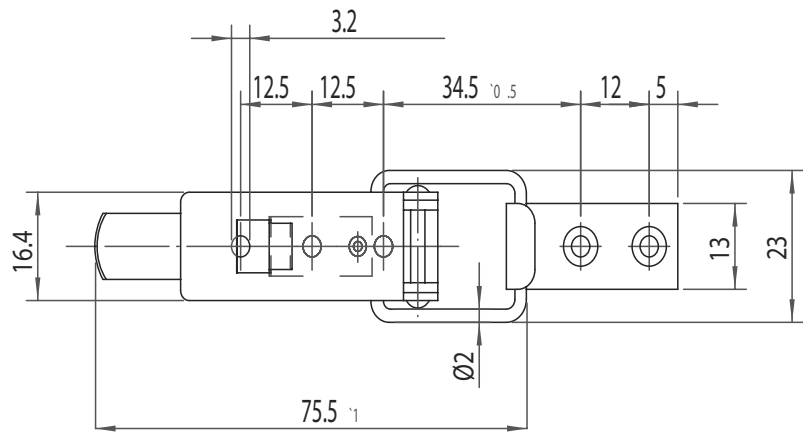
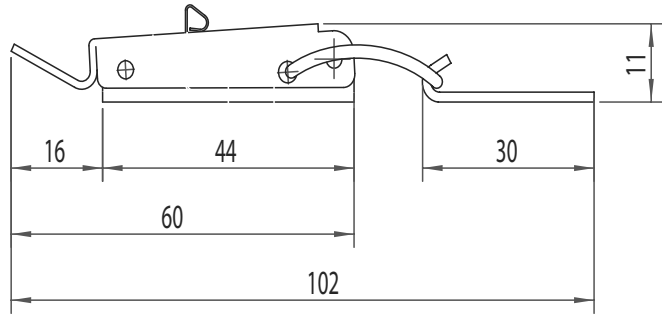
Note: Specifications can change from time to time without notice.  
Cut-outs & construction should only be done with the products onsite.

**SELECTLOK**  
NEW ZEALAND LTD

# OVER CENTRE FASTENERS

## SMALL SAFETY LATCHING STEEL & STAINLESS STEEL

- Pull up ability
- Secondary latch
- Max safe load 550N
- Ultimate tension 1300N

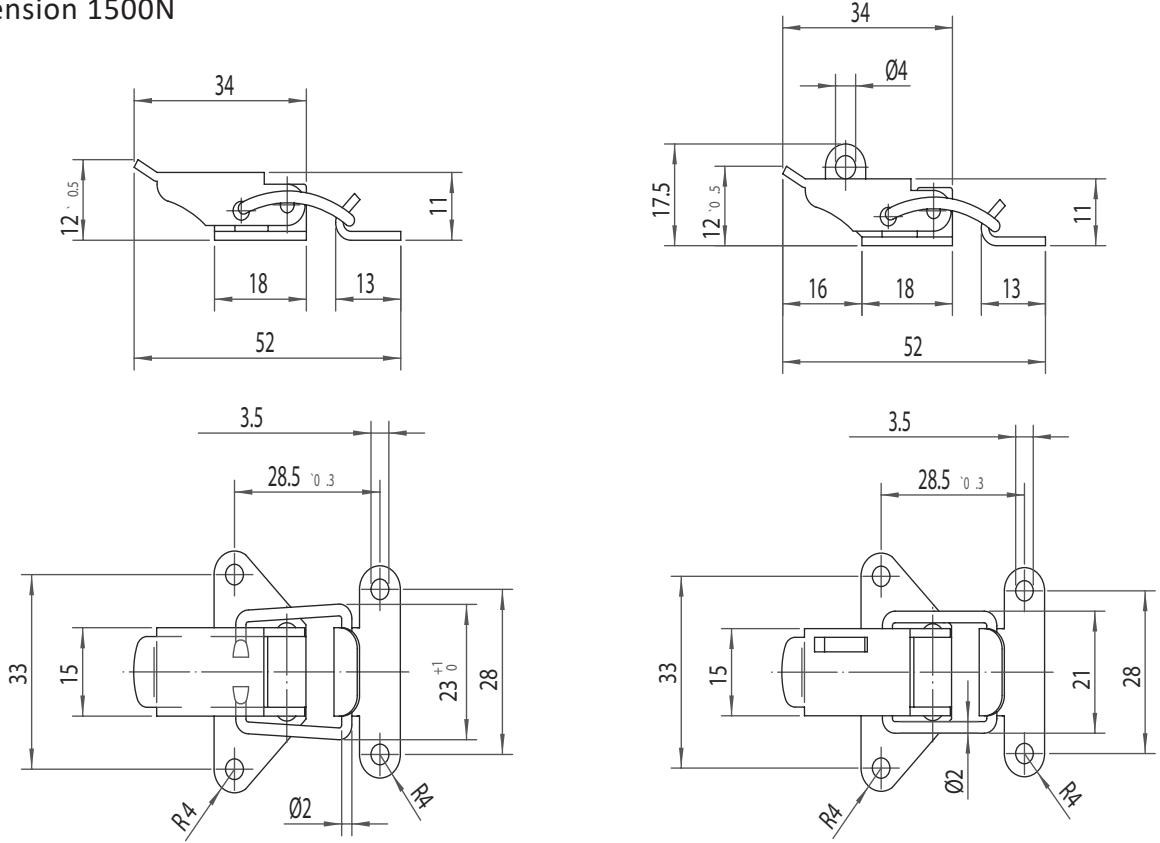


Code	Material / Finish	Component
TOG-2.03.02.04/6	Steel / Nickel	Latch
TSP-2.03.00.01/5	Steel / Nickel	Hook
TOG-2.03.02.30/6	304 S/Steel	Latch
TSP-2.03.00.30/5	304 S/Steel	Hook

# OVER CENTRE FASTENERS

## SMALL NON-LOCKING & PADLOCKABLE STEEL & STAINLESS STEEL

- Non-locking and padlockable
- Max safe load 550N
- Ultimate tension 1500N

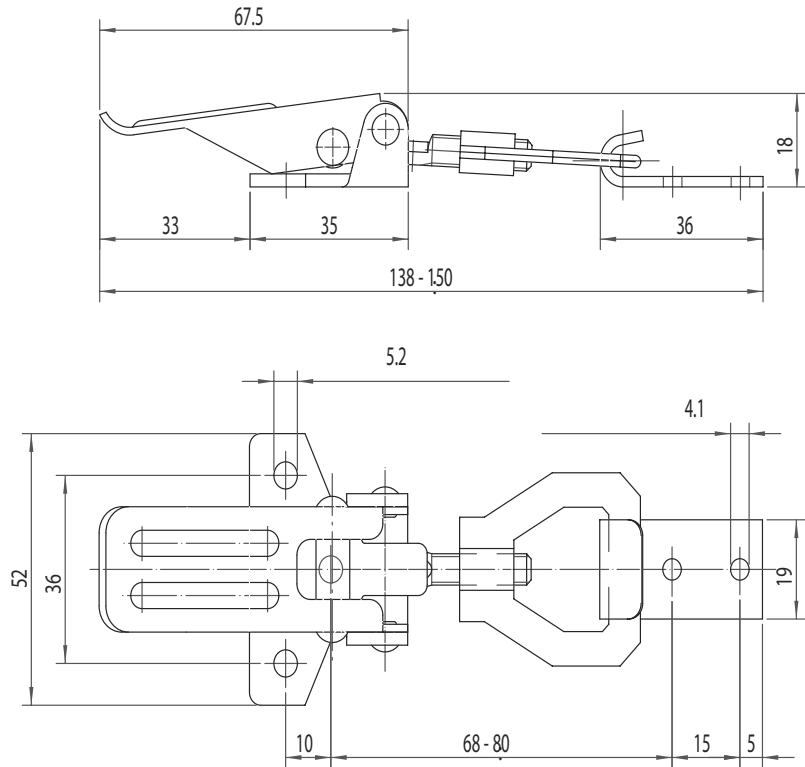


Code	Type / Component	Material / Finish
TOG-2.04.00.01/6	Non-locking latch	Steel / Nickel
TOG-2.04.01.01/6	Padlockable latch	Steel / Nickel
TSP-2.04.00.01/5	Hook	Steel / Nickel
TOG-2.04.00.30/6	Non-locking latch	304 S/Steel
TSP-2.04.00.30/5	Hook	304 S/Steel

# OVER CENTRE FASTENERS

## SMALL NON-LOCKING STEEL & STAINLESS STEEL

- Adjustable fastening length
- Max safe load 1100N
- Ultimate tension 2500N

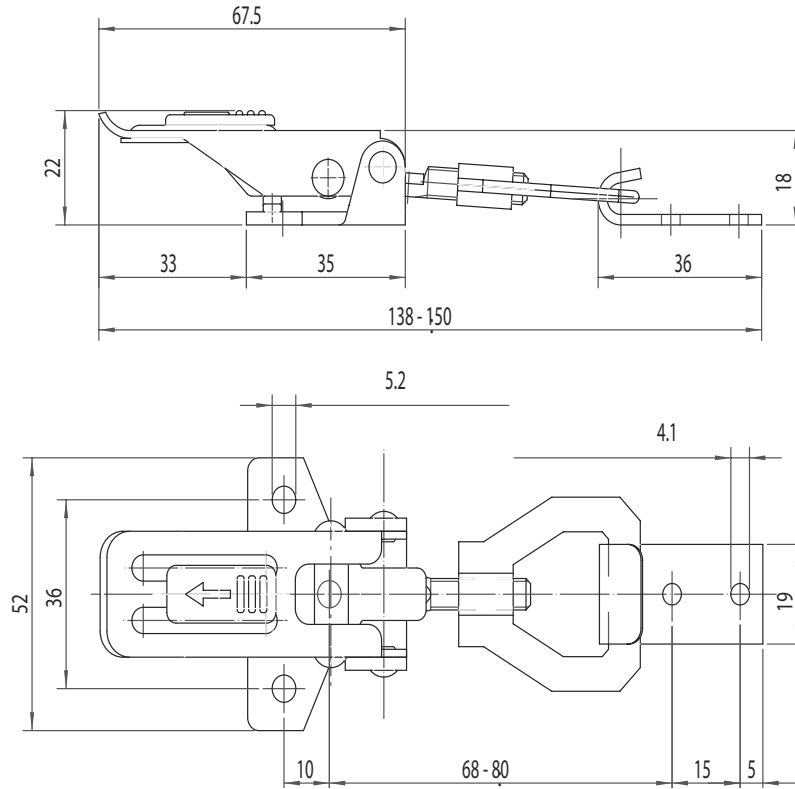


Code	Material / Finish	Component
TOG-2.05.00.01/6	Steel / Nickel	Latch
TSP-2.05.00.01/5	Steel / Nickel	Hook
TOG-2.05.00.30/6	304 S/Steel	Latch
TSP-2.05.00.30/5	304 S/Steel	Hook

# OVER CENTRE FASTENERS

## SMALL SAFETY LATCHING STEEL & STAINLESS STEEL

- Adjustable fastening length
- Slide latch button
- Max safe load 1100N
- Ultimate tension 2500N



Code	Material / Finish	Component
TOG-2.05.02.01/6	Steel / Nickel	Latch
TSP-2.05.00.01/5	Steel / Nickel	Hook
TOG-2.05.02.30/6	304 S/Steel	Latch
TSP-2.05.00.30/5	304 S/Steel	Hook

Note: Specifications can change from time to time without notice.  
Cut-outs & construction should only be done with the products onsite.

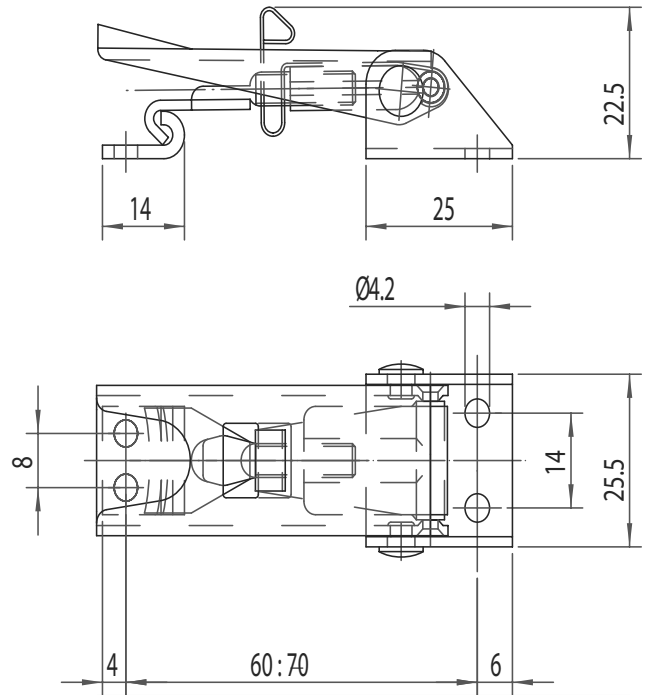
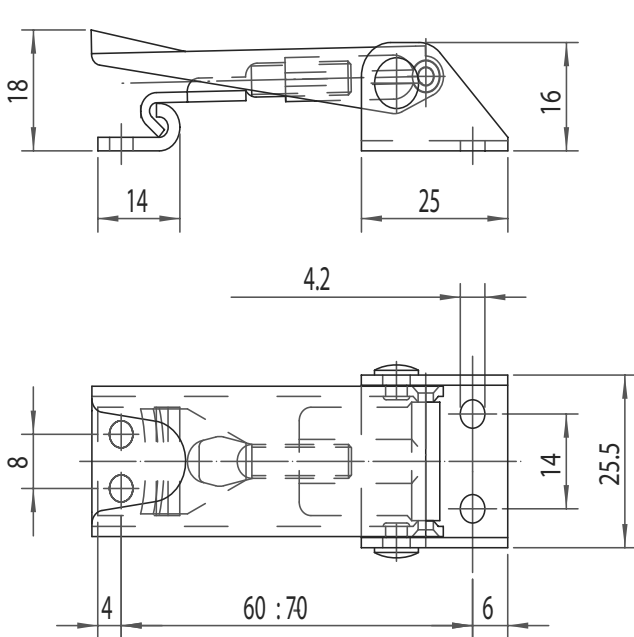
**SELECTLOK**  
NEW ZEALAND LTD



# OVER CENTRE FASTENERS

## SMALL NON-LOCKING & SAFETY LATCHING STEEL & STAINLESS STEEL

- Adjustable fastening length
- Max safe load 1000N
- Ultimate tension 1400N

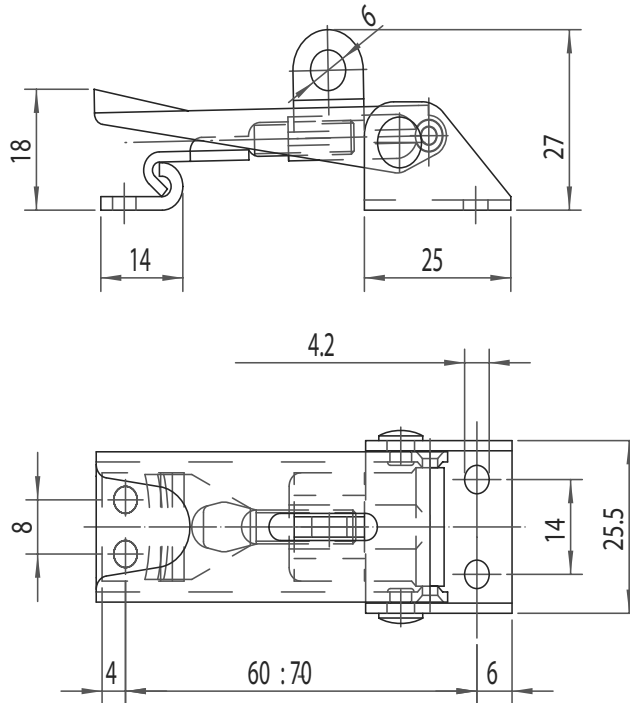


Code	Type / Component	Material / Finish
TOG-2.41.00.04/6	Non-locking latch	Steel / Nickel
TOG-2.41.02.04/6	Safety latching	Steel / Nickel
TSP-2.41.00.04/5	Hook	Steel / Nickel
TOG-2.41.00.30/6	Non-locking latch	304 S/Steel
TOG-2.41.02.30/6	Safety latching	304 S/Steel
TSP-2.41.00.30/5	Hook	304 S/Steel

# OVER CENTRE FASTENERS

## SMALL PADLOCKABLE STEEL & STAINLESS STEEL

- Adjustable fastening length
- Max safe load 1000N
- Ultimate tension 1400N



Code	Type / Component	Material / Finish
TOG-2.41.01.04/6	Padlockable latch	Steel / Nickel
TSP-2.41.00.04/5	Hook	Steel / Nickel
TOG-2.41.01.30/6	Padlockable latch	304 S/Steel
TSP-2.41.00.30/5	Hook	304 S/Steel

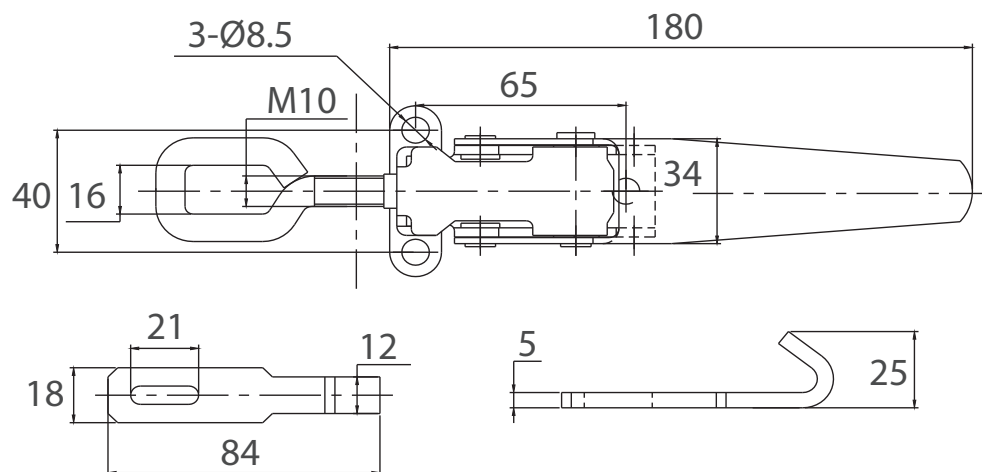
# OVER CENTRE FASTENERS

EXTRA LARGE NON-LOCKING

HEAVY DUTY

STEEL & STAINLESS STEEL

- Steel Zinc plated or 304 stainless steel

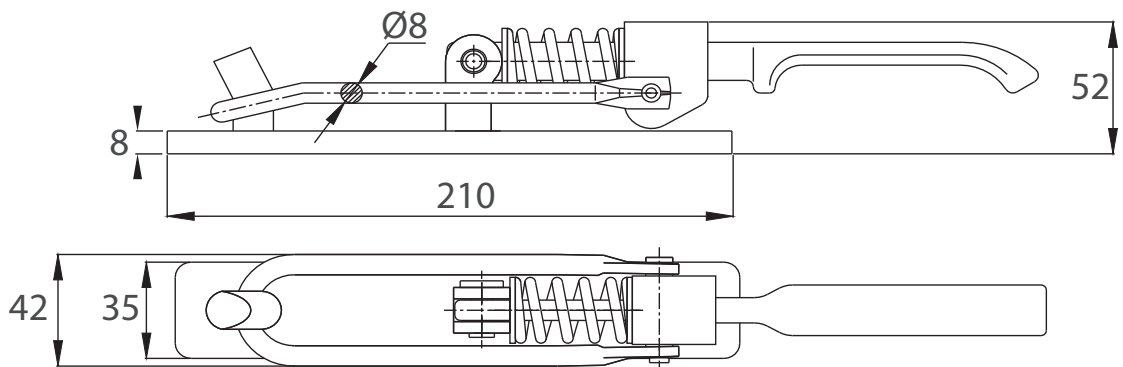


Code	Type / Component	Material / Finish
147050	Latch	Steel / Zinc
147054	Hook	Steel / Zinc
147050S	Latch	304 S/Steel
147054S	Hook	304 S/Steel

# OVER CENTRE FASTENERS

## EXTRA LARGE NON-LOCKING HEAVY DUTY STEEL

- Steel galvanised
- Hook mounting plate needs to be cut to suit installation distance across door edge



Code	Type / Component	Material / Finish
022800	Latch and hook	Steel / Galv