

10	QUARTER TURNS	Pages
	Quarter Turn Product Range	2
	Cylinder Key Locking Quarter Turns	3 - 4
	Wing Handle Non-Locking, Key Locking, Padlockable Quarter Turns	5 - 9
	Clip In Key Locking Quarter Turn	10
	L Handle Quarter Turns	11
	T Handle Quarter Turns	12
	Compression T Handle Quarter Turn	13
	Insert (Drive) Type Quarter Turns	14 - 20
	Hygiene Quarter Turn Lock	21
	Compression Insert Quarter Turns	22 - 23
	Standard Cams And Hooked Cams For Quarter Turns	24 - 26
	Finger Pull For Quarter Turns	26
	Polyamide 2K Series Insert Quarter Turns	27
	Keys For Insert Quarter Turns	28
	Push Button Slam Locks	29
	Mini Insert Drive Quarter Turns	30

10 QUARTER TURNS

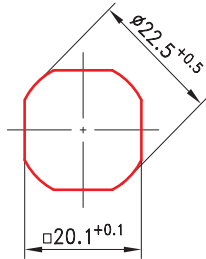


QUARTER TURNS

PRODUCT RANGE

SEE SECTION 9, PAGES 2-3 TO UNDERSTAND THE DIFFERENCES BETWEEN QUARTER TURNS & CAM LOCKS

ONE CUT-OUT:



MANY OPTIONS:

Types:

- Insert / Drive
- Cylinder Lock
- Compression Lock
- Combination Lock
- Wing Knob
- Padlockable Wing knob
- L Handle
- T Handle

Materials / Colours:

- Polyamide (Plastic) Black
- Zinc
- Zinc Black
- 316 Stainless Steel

Accessories:

- Finger Pull
- Dust Cap

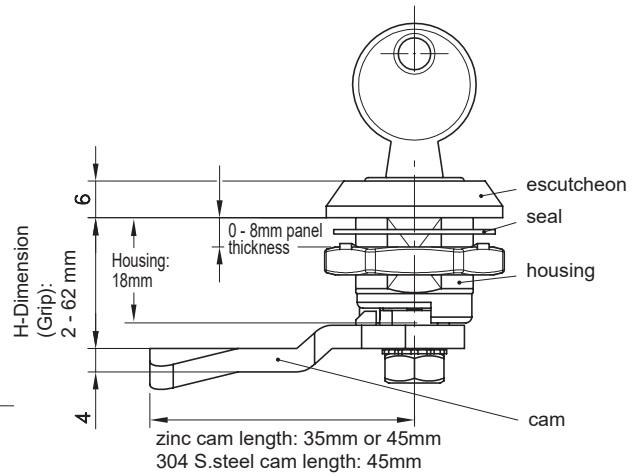
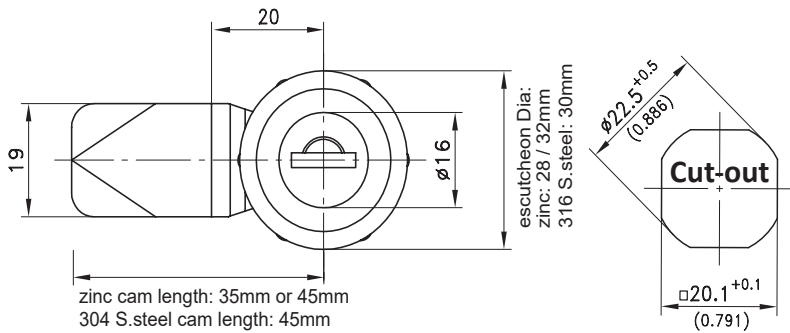
Plus Hundreds More!



Only a small selection of Quarter Turn products are shown in this catalogue

Contact us for further options

QUARTER TURNS CYLINDER LOCK TYPE KEY LOCKING



ZINC CHROME

- 28mm or 32mm Diameter x 6mm H escutcheon (front face)
- 18mm long housing • Fits panel thickness up to 8mm
- Order cam separately: H-Dimensions of 2mm - 62mm • IP65



28mm Diameter Escutcheon:

Zinc Chrome Code	Key Type / Number	Zinc Black Code	Key Type / Number	Cam Code
200-9201	DIRAK 1333	200-9202	DIRAK 1333	Order cam separately using code: 200-04##
200-9203-144S	DIRAK 144			
200-9203-92268	DIRAK 92268			
200-9203-CL001	DIRAK CL001			
200-9203-CL003	DIRAK CL003			
200-9203	Mixed Key	200-9204	Mixed Key	

32mm Diameter Escutcheon:

Zinc Chrome Code	Key Type / Number	Zinc Black Code	Key Type / Number	Cam Code
200-9205	DIRAK 1333	200-9206	DIRAK 1333	## = Your H-Dimension between: 02-62mm
200-9207-144S	DIRAK 144			
M-063-1-1-03-00	4444	M-063-2-2-00-13	4444	
200-9207	Mixed Key	200-9208	Mixed Key	

316 STAINLESS STEEL

- 30mm Diameter x 6mm H escutcheon (front face)
- 18mm long housing • Fits panel thickness up to 8mm
- Order cam separately: H-Dimensions of 6mm - 50mm • IP65
- Note 05## stainless steel cams are 304 grade and 45mm long



30mm Diameter Escutcheon:

316 S.Steel Code	Key Type / Number	Cam Code
200-9232	DIRAK 1333	Order cam separately using code: 200-05## (06-50mm)
200-9233	Mixed Key	

QUARTER TURNS

DUST / WATER CAP ACCESSORY

POLYAMIDE

- IP65 Dust / water cap to fit quarter turns up to 32mm diameter x 6mm high escutcheon
- Reduces the locks panel thickness capability by 1mm



200-4101 shown on 200-9207-144S cylinder lock with 200-0455 cam with 55mm grip

Code	Description	Material
200-4101	Water / dust cap	Polyamide

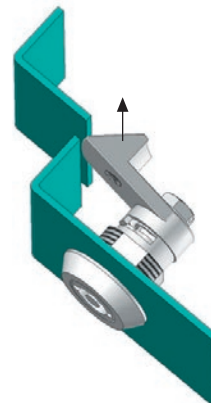
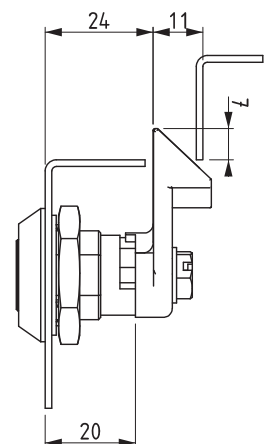
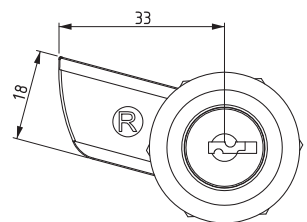
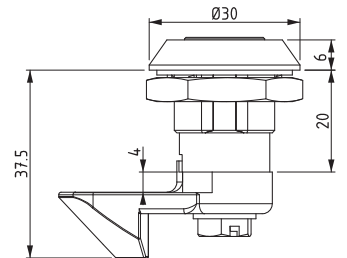
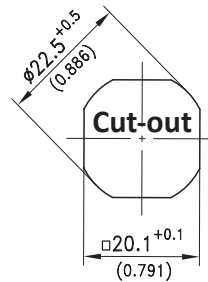
CYLINDER LOCK TYPE

KEY LOCKING

SPRING LOADED SLAM CAM

ZINC

- 30mm Diameter x 6mm H escutcheon (front face)
- Fits panel thickness up to 8mm
- H-Dimension = 24mm



Code	Material / Finish	Key Type / Number	Hand	
			Left	Right
M-163-1-1-07-001*	Zinc / Chrome	CH751		Right
M-163-1-1-07-002*	Zinc / Chrome	CH751	Left	
M-163-1-2-07-001	Zinc / Black	CH751		Right
M-163-1-2-07-002	Zinc / Black	CH751	Left	

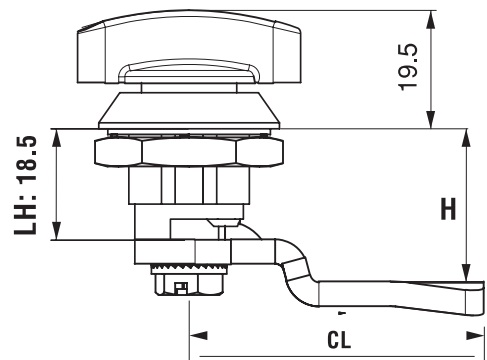
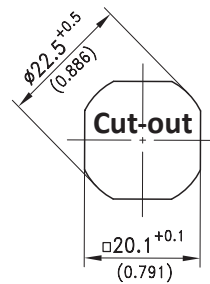
* Special order product

Note: Specifications can change from time to time without notice. Cut-outs & construction should only be done with the products onsite.

QUARTER TURNS

WING KNOBS NON LOCKING PLASTIC & ZINC

- Pre-assembled for reduced installation time
- 32mm H Escutcheon (front face)
- 18.5mm Long housing
- IP65



M-362-1-1-36-1
Zinc Chrome



M-362-1-2-36-1
Zinc Black



M-362-2-0-00-1
(shown with MCAM26 cam)
Zinc Chrome



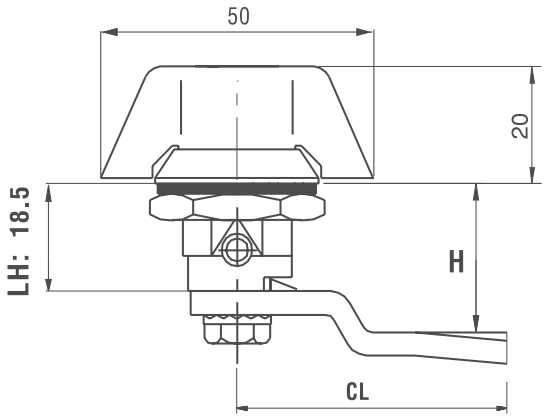
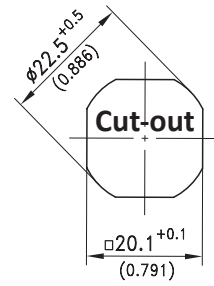
Code	Knob Material	Cam H-Dimension (mm)
M-362-1-1-36-1	Zinc, Chrome	26 (Included)
M-362-1-2-36-1	Zinc, Black	26 (Included)
M-362-2-0-0-1	Polyamide plastic	NA

QUARTER TURNS

WING HANDLE

KEY LOCKING

POLYAMIDE & ZINC



- 32mm Diameter escutcheon x 20mm H Handle
- 18mm long housing
- Fits panel thickness up to 8mm
- Many cam options for H-Dimensions of 2mm - 62mm
- IP65

Code	Material / Colour	Key Number	Cam H-Dimension (mm)
M-065-1-1-00-36	Zinc Chrome	Non Locking	26 (Included)
200-9301	PA Wing Black, Zinc Barrel and Housing	Non Locking	Order Separately
200-9302	PA Wing Black, Zinc Barrel and Housing	1333	Order Separately
200-9303	PA Wing Black, Zinc Barrel and Housing	Mixed	Order Separately
200-9303-144S	PA Wing Black, Zinc Barrel and Housing	144S	Order Separately
200-9303-92268	PA Wing Black, Zinc Barrel and Housing	92268	Order Separately
200-9303-92380	PA Wing Black, Zinc Barrel and Housing	92380	Order Separately
200-9303-92390	PA Wing Black, Zinc Barrel and Housing	92390	Order Separately
200-9303-CL001	PA Wing Black, Zinc Barrel and Housing	CL001	Order Separately
200-9303-CL003	PA Wing Black, Zinc Barrel and Housing	CL003	Order Separately
M-065-1-1-92268-00	Zinc Chrome	92268	Order Separately
M-065-1-1-CL001-00	Zinc Chrome	CL001	Order Separately
M-065-1-1-05-33	Zinc Chrome	5333	22 (Included)
M-065-1-1-07-36	Zinc Chrome	CH751	26 (Included)
M-065-1-1-36-1-####	Zinc Chrome	#### = Multiple Key numbers available	26 (Included)

Extended Housing:

200-9322	PA Wing Black, Zinc Barrel and Housing *Extended Housing - fits 20mm Door*	Non Locking	Order Separately
----------	---	-------------	------------------

QUARTER TURNS

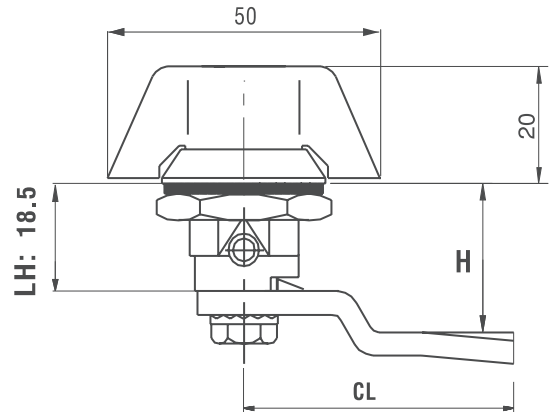
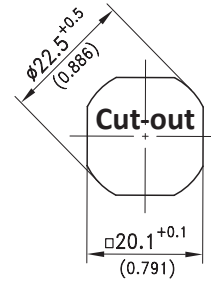
Note: Specifications can change from time to time without notice. Cut-outs & construction should only be done with the products onsite.

QUARTER TURNS

WING HANDLE

KEY LOCKING & NON LOCKING

316 STAINLESS STEEL



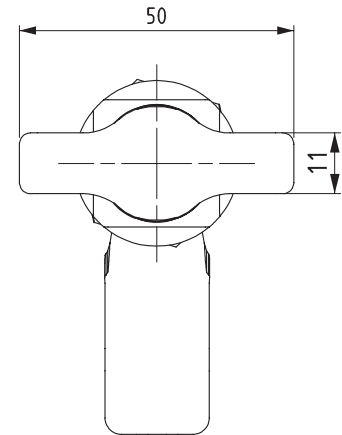
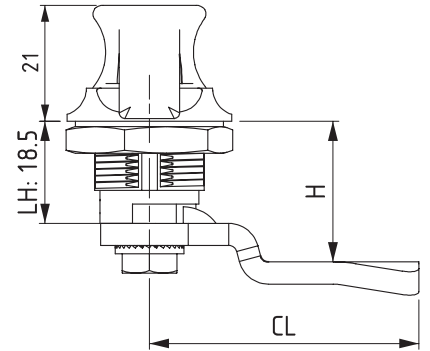
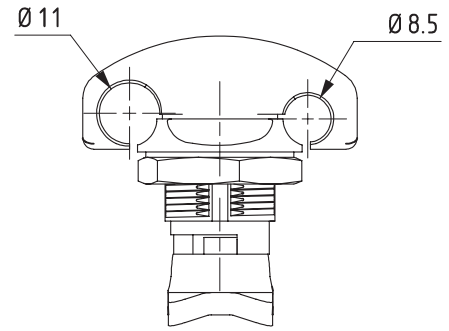
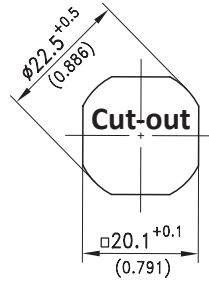
- 32mm Diameter escutcheon x 20mm H Handle
- 18mm long housing • Fits panel thickness up to 8mm
- Many cam options for H-Dimensions of 6mm - 50mm
- IP65

Code	Material / Colour	Key Number	Cam H-Dimension (mm)
M-065-4-0-00-36	316 Stainless Steel	Non Locking	26 (Included)
M-065-4-0-07-36	316 Stainless Steel	CH751	26 (Included)
M-065-4-0-144-36	316 Stainless Steel	144	26 (Included)
M-065-4-0-CL001-36	316 Stainless Steel	CL001	26 (Included)
M-065-4-0-CL003-36	316 Stainless Steel	CL003	26 (Included)

QUARTER TURNS

WING HANDLE PADLOCKABLE ZINC CHROME

- Universal Left and Right hand
- Two padlock hole options:
 - 11mm Hole fits up to 10mm padlock
 - 8.5mm Hole fits up to 6mm padlock
- Fits panel thickness up to 8mm



Code	Material/Finish	Handedness	Cam H-Dimension (mm)
M-562-1-1-36	Zinc, Chrome	Universal	26 (Included)
M-562-1-2-36	Zinc, Black	Universal	26 (Included)

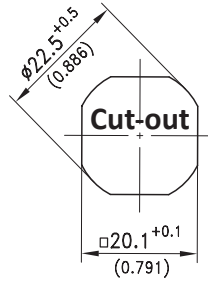
QUARTER TURNS

QUARTER TURNS

WING HANDLE

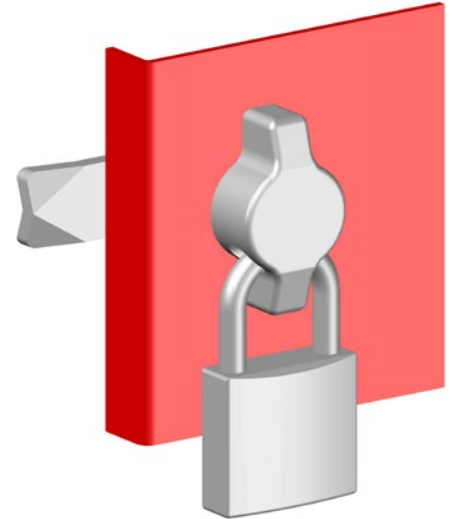
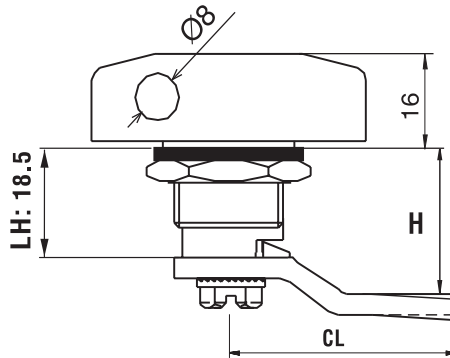
PADLOCKABLE

ZINC & 316 STAINLESS STEEL



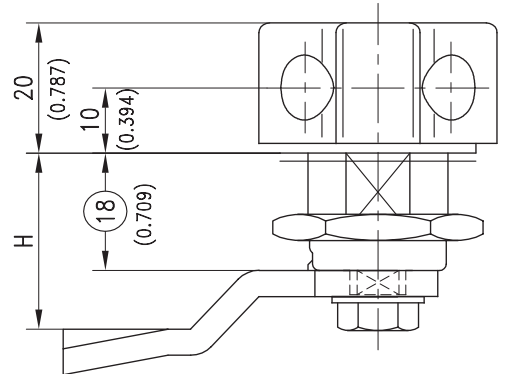
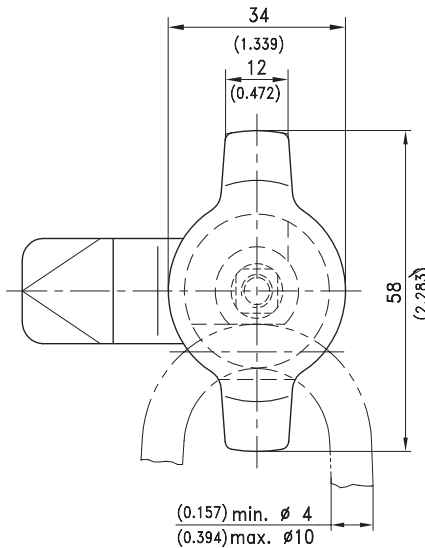
M-262-1-36-00#

- Zinc chrome
- Fits up to 6mm padlock
- Fits panel thickness up to 8mm



200-93##

- Zinc black or 316 Stainless steel
- Fits 4mm - 10mm padlock
- Fits panel thickness up to 8mm



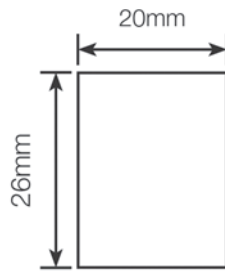
Code	Material/Finish	Handedness	Cam H-Dimension (mm)
M-262-1-36-001	Zinc, Chrome plated	Right hand	26 (Included)
M-262-1-36-002	Zinc, Chrome plated	Left hand	26 (Included)
200-9365	Zinc Black	Universal	Order Separately
200-9375	316 Stainless Steel	Universal	Order Separately

QUARTER TURNS

CLIP IN LOCK

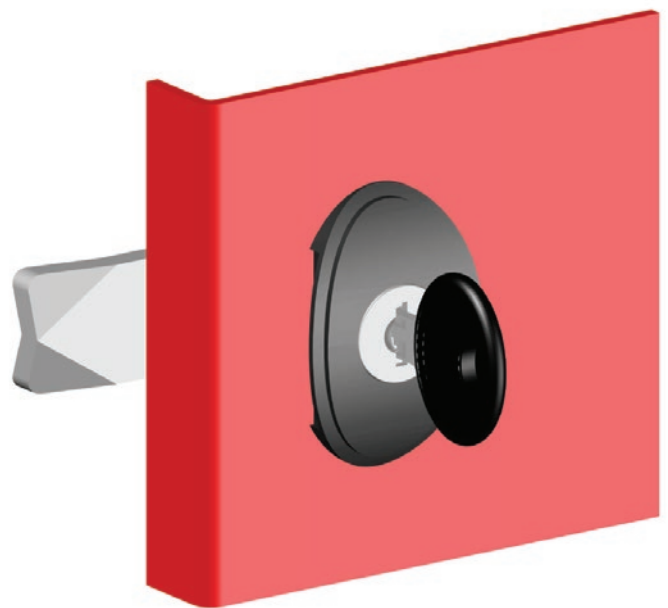
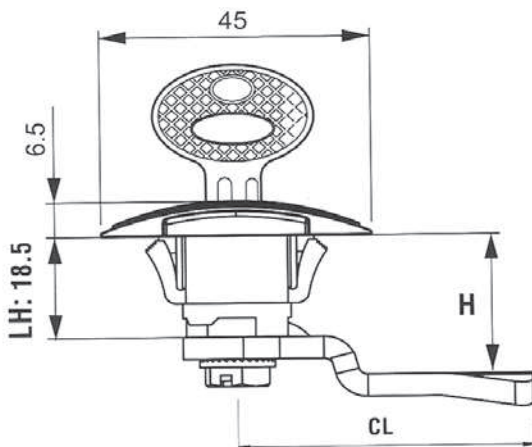
KEY LOCKING

POLYAMIDE / ZINC



CUT-OUT

- Clip-in fixing for easy assembly
- To suit panel thickness 0.8-1.8mm
- Reduced installation time
- Inbuilt finger grip
- Polyamide / Zinc
- Many cam options for H-Dimensions of 6mm - 50mm



Code	Key Number	Cam H-Dimension (mm)
M-261-2-0-05-36	1333	Order Separately

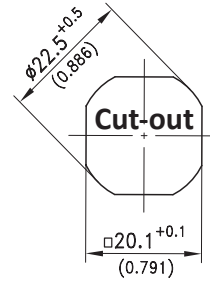
QUARTER TURNS

QUARTER TURNS

L HANDLES

KEY LOCKING & NON-LOCKING

PLASTIC, ZINC & STAINLESS STEEL



- Non-Locking, Cylinder Locking, or Padlockable available
- Polyamide plastic, Zinc Chrome, or 316 Stainless Steel
- Fit panel thickness up to 8mm
- Single or Multi-point cam options



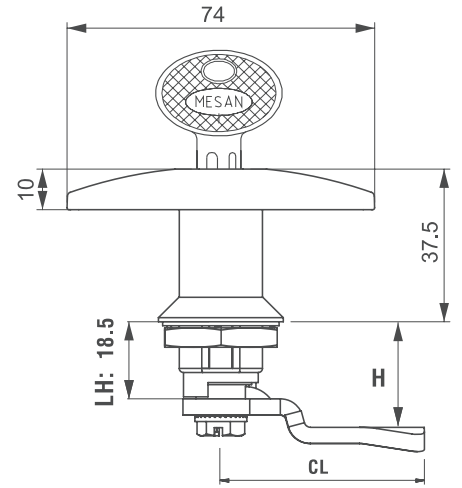
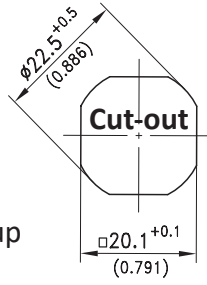
Code	Material / Colour	Key Number	Cam H-Dimension (mm)
200-9401	PA Handle Black, Zinc Barrel and Housing	Non Locking	Order Separately
M-111-1-1-00-36	Zinc Chrome	Non Locking	26 (Included)
200-9402	PA Handle Black, Zinc Barrel and Housing	1333	Order Separately
200-9403	PA Handle Black, Zinc Barrel and Housing	Mixed	Order Separately
200-9403-144S	PA Handle Black, Zinc Barrel and Housing	144S	Order Separately
M-111-2-0-05-36	PA Handle Black, Zinc Barrel and Housing	5333	26 (Included)
M-111-1-1-05-36	Zinc Chrome	5333	26 (Included)
200-9437-92268	Zinc Chrome	92268	Order Separately
200-9485	316 Stainless Steel	1333	Order Separately
200-9425	316 Stainless Steel	Padlockable	Order Separately
200-9481	316 Stainless Steel	Padlockable	Order Separately

QUARTER TURNS

T HANDLES

KEY LOCKING & NON-LOCKING

- Non-Locking, or Cylinder Locking available
- Polyamide plastic, Zinc Chrome, or 316 Stainless Steel
- Standard 18mm housing fits panel thicknesses up to 8mm, or Extended housing options available
- Single or Multi-point cam options



200-9307

200-9308

200-9398

200-9344

Code	Material / Colour	Key Number	Cam H-Dimension (mm)
200-9307	PA Handle Black, Zinc Barrel and Housing	Non Locking	Order Separately
M-110-1-1-00-36	Zinc Chrome	Non Locking	26 (Included)
200-9321	Zinc Chrome	Mixed	Order Separately
200-9320	Zinc Chrome	1333	Order Separately
M-110-1-1-05-36	Zinc Chrome	5333	26 (Included)
M-110-2-0-05	PA Handle Black, Zinc Barrel and Housing	5333	Order Separately
200-9308	PA Handle Black, Zinc Barrel and Housing	1333	Order Separately
200-9309-144S	PA Handle Black, Zinc Barrel and Housing	144S	Order Separately
200-9374	316 Stainless Steel	Non Locking	Order Separately
200-9398	316 Stainless Steel	1333	Order Separately
EXTENDED HOUSING:			
200-9353 (Up to 30mm Door)	PA Handle Black, Zinc Barrel and Housing	Non-Locking	Order Separately
200-9313 (Up to 20mm Door)	PA Handle Black, Zinc Barrel and Housing	1333	Order Separately
200-9344 (Up to 50mm Door)	Zinc Chrome	1333	Order Separately

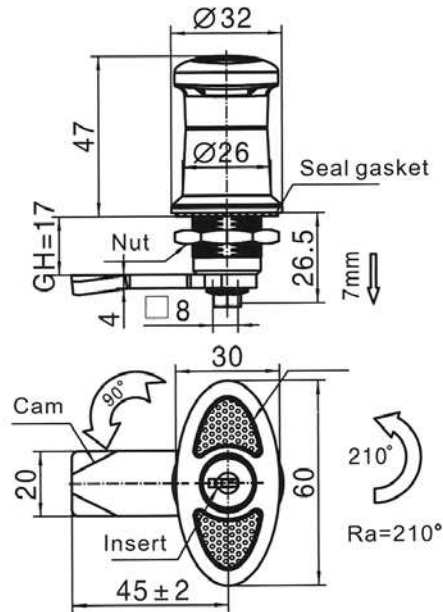
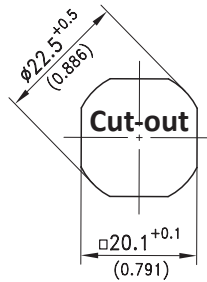
QUARTER TURNS

T HANDLE

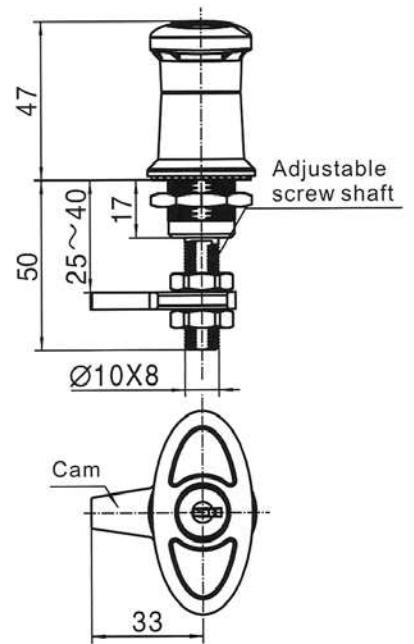
COMPRESSION TYPE

SILVER

- Provides 7mm compression on closing
- Reduced fixing time
- Fully assembled
- Standard key - K28
- Zinc silver



MS319-1



MS319-1A

Code	Key Number	Length (mm)	Cam H-Dimension (mm)
MS319-1	Keyed K28	26.5	26 (Included)
MS319-1A	Keyed K28	50	26 (Included)

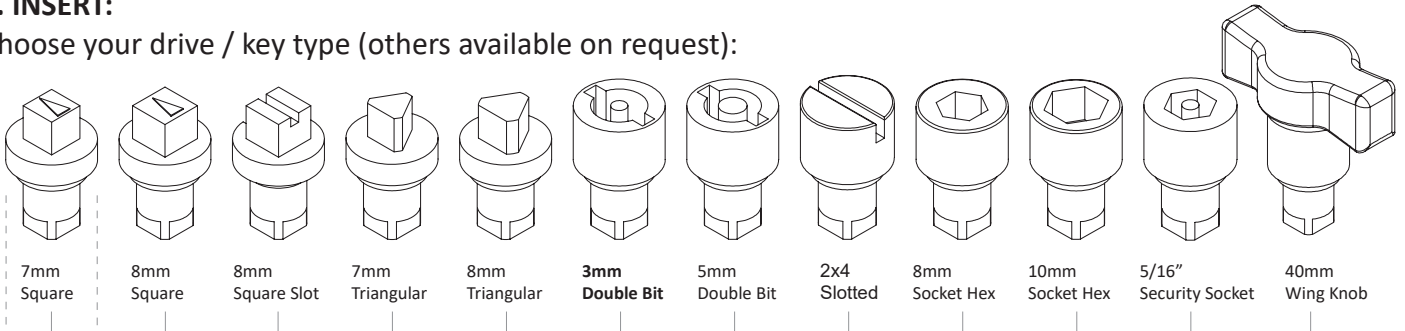
QUARTER TURNS

INSERT (DRIVE) TYPE OVERVIEW

There are three components to the common insert (drive) type quarter turn lock commonly used on electrical cabinets:

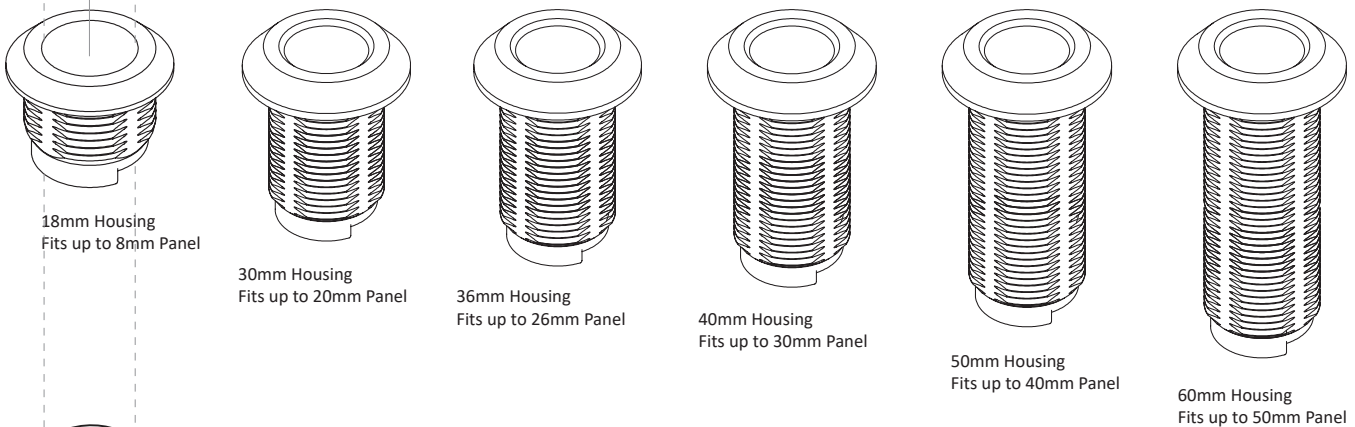
1. INSERT:

Choose your drive / key type (others available on request):



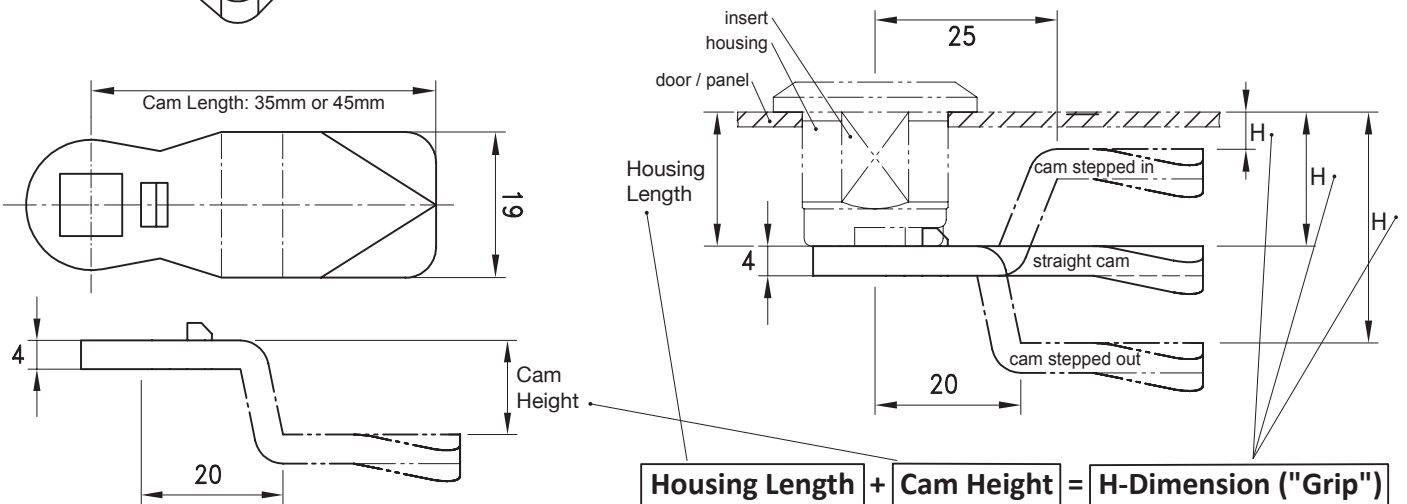
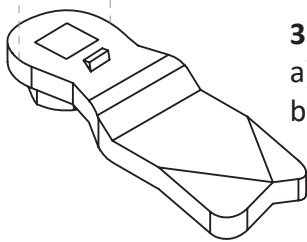
2. HOUSING:

Choose a housing length to fit your panel (door) thickness:



3. CAM:

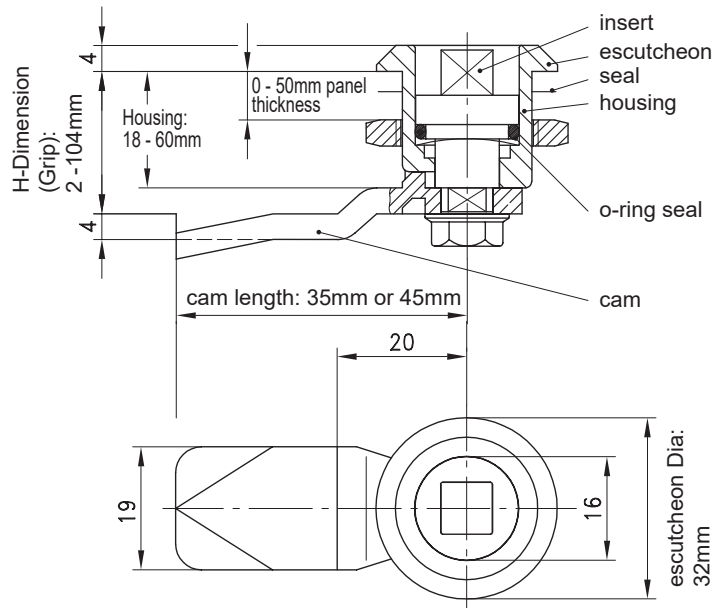
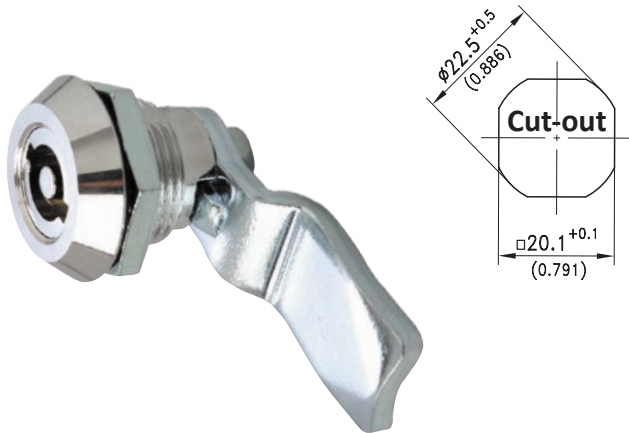
- a) Choose a cam "H-Dimension" (Grip) to fit your cabinet latching point
- b) Choose a cam length to fit your cabinet latching point



QUARTER TURNS

INSERT (DRIVE) TYPE

ZINC CHROME



- 28mm or 32mm Diameter x 4mm H escutcheon (front face)
- 18mm long housing
- Fits panel thickness up to 8mm
- Many cam options for H-Dimensions of 2mm - 62mm
- IP65

28Dia x 18mm Housing Code	32Dia x 18mm Housing Code	Insert Code (Drive / Key Type)		Cam Code	Matching Key Code
200-9001	200-9005	200-9102	7mm Square	Order cam separately using code: 200-04## ## = Your H-Dimension between: 02-62mm	204-0102
200-9001	200-9005	200-9103	8mm Square		204-0103
200-9001	200-9005	200-9111	8mm Square Slotted		204-0103 (flat screw driver)
200-9001	200-9005	200-9104	7mm Triangular		204-0104
200-9001	200-9005	200-9105	8mm Triangular		204-0105
200-9001	200-9005	200-9107	3mm Double Bit		204-0107
200-9001	200-9005	200-9108	5mm Double Bit		204-0108
					701-7047 (multi drive key)

• Black also available - Contact us.

EXTENDED HOUSING OPTIONS (30mm/36mm/40mm/50mm/60mm)

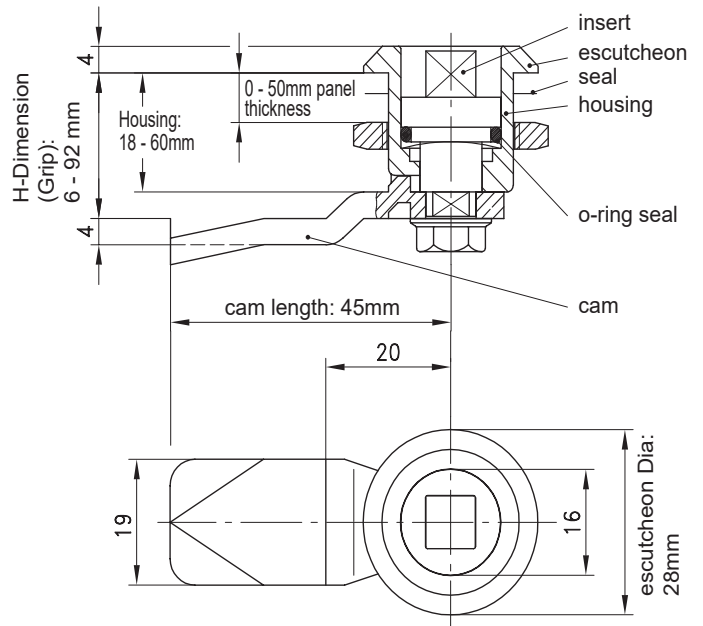
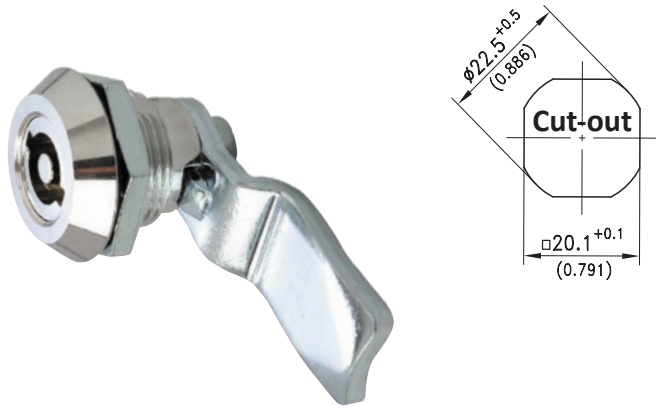
- 32mm Diameter x 4mm H escutcheon (front face)
- Options to fit panel thickness up to 50mm
- Many cam options for H-Dimensions of 14mm - 104mm
- IP65

	32Dia x 30mm Housing	32Dia x 36mm Housing	32Dia x 40mm Housing	32Dia x 50mm Housing	32Dia x 60mm Housing
Housing Code	200-9011	200-9015	200-9019	200-9023	200-9027
Adaptor Code:	200-9031	200-9032	200-9033	200-9034	200-9035
Suit Panel Thickness:	Up to 20mm	Up to 26mm	Up to 30mm	Up to 40mm	Up to 50mm
Cam H-Dimension Range:	14mm-74mm	20mm-80mm	24mm-84mm	34mm-94mm	44mm-104mm

QUARTER TURNS

INSERT (DRIVE) TYPE

316 STAINLESS STEEL



- 28mm Diameter x 4mm H escutcheon (front face)
- 18mm long housing
- Fits panel thickness up to 8mm
- Many cam options for H-Dimensions of 6mm - 50mm. Note: 05## stainless steel cams are 304 grade and 45mm long
- IP65

28Dia x 18mm Housing Code	Insert Code (Drive / Key Type)	Cam Code	Matching Key Code
200-9043	200-9119 7mm Square	Order cam separately using code: 200-05## ## = Your H-Dimension between: 06-50mm	204-0102
200-9043	200-9120 8mm Square		204-0103
200-9043	200-9121 7mm Triangular		204-0104
200-9043	200-9122 8mm Triangular		204-0105
200-9043	200-9123 3mm Double Bit		204-0107
200-9043	200-9124 5mm Double Bit		204-0108
			701-7047 (multi drive key)

EXTENDED HOUSING OPTIONS (30mm/36mm/40mm/50mm/60mm)

- 28mm Diameter x 4mm H escutcheon (front face)
- Options to fit panel thickness up to 50mm • IP65
- Many cam options for H-Dimensions of 18mm - 92mm. Note: 05## stainless steel cams are 304 grade and 45mm long

	28Dia x 30mm Housing	28Dia x 36mm Housing	28Dia x 40mm Housing	28Dia x 50mm Housing	28Dia x 60mm Housing
Housing Code:	200-9072	200-9024	200-9073	200-9074	200-9075
Adaptor Code:	100-9019	100-9020	100-9021	100-9022	100-9023
Suit Panel Thickness:	Up to 20mm	Up to 26mm	Up to 30mm	Up to 40mm	Up to 50mm
Cam H-Dimension Range:	18mm-62mm	24mm-68mm	28mm-72mm	38mm-82mm	48mm-92mm

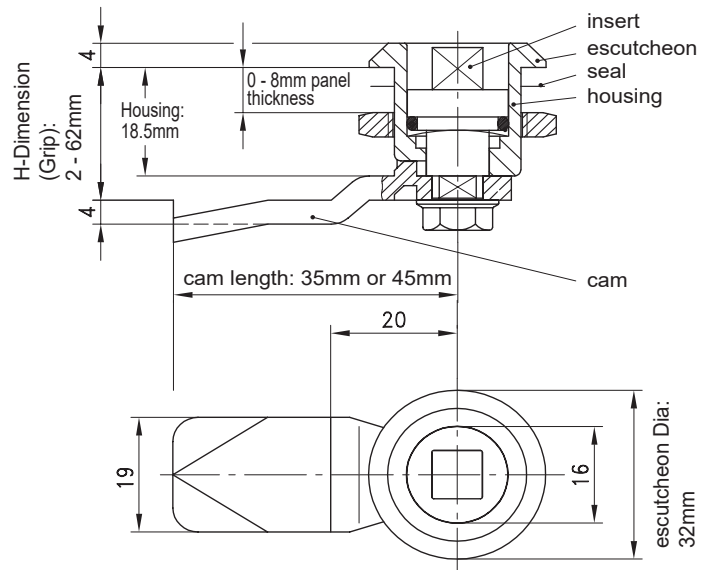
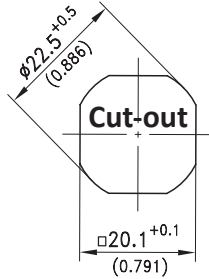
Note: Specifications can change from time to time without notice. Cut-outs & construction should only be done with the products onsite.

QUARTER TURNS

INSERT (DRIVE) TYPE

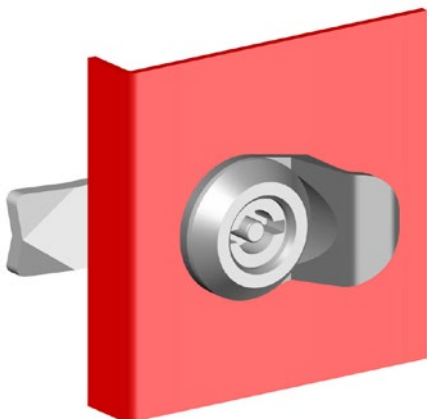
SAFETY (SPRING LOADED CAM)

ZINC CHROME



- 32mm Diameter x 4mm H escutcheon (front face)
- 18.5mm long housing
- Fits panel thickness up to 8mm
- Many cam options for H-Dimensions of 2mm - 62mm
- Vibration resistant spring loaded cam
- IP65

Housing + Insert Code	Insert (Drive / Key Type)	Cam Code	Matching Key Code
M-060-1-1-27-00-1	7mm Square	Order cam separately using code: 200-04## ## = Your H-Dimension between: 02-62mm	204-0102
M-060-1-1-28-00-1	8mm Square		204-0103
M-060-1-1-42-00-1	2x4mm Slotted		Flat screw driver
M-060-1-1-37-00-1	7mm Triangular		204-0104
M-060-1-1-38-00-1	8mm Triangular		204-0105
M-060-1-1-13-00-1	3mm Double Bit		204-0107
M-060-1-1-15-00-1	5mm Double Bit		204-0108
			701-7047 (multi drive key)



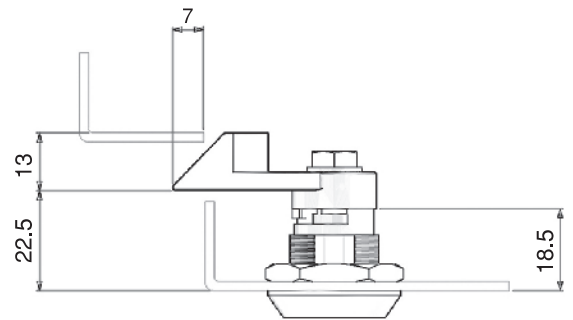
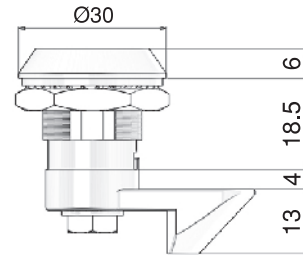
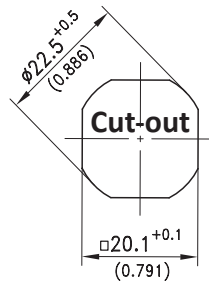
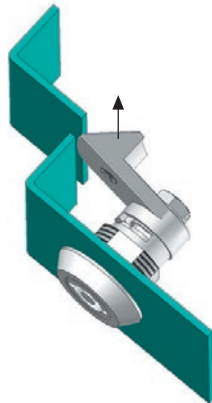
• Note: HP001 Finger pull accessory shown available separately

QUARTER TURNS

INSERT (DRIVE) TYPE

SPRING LOADED SLAM CAM

ZINC



- 30mm Diameter x 6mm H escutcheon (front face)
- Fits panel thickness up to 8mm
- H-Dimension = 22.5mm

Code	Key Type / Number	Material / Finish
M-160-1-1-27-###	7mm Square	Zinc / Chrome
M-160-1-2-27-###		Zinc / Black
M-160-1-1-28-###	8mm Square	Zinc / Chrome
M-160-1-2-28-###		Zinc / Black
M-160-1-1-58-###	8mm Square Slotted	Zinc / Chrome
M-160-1-2-58-###		Zinc / Black
M-160-1-1-37-###	7mm Triangular	Zinc / Chrome
M-160-1-2-37-###		Zinc / Black
M-160-1-1-38-###	8mm Triangular	Zinc / Chrome
M-160-1-2-38-###		Zinc / Black
M-160-1-1-13-###	3mm Double Bit	Zinc / Chrome
M-160-1-2-13-###		Zinc / Black
M-160-1-1-15-###	5mm Double Bit	Zinc / Chrome
M-160-1-2-15-###		Zinc / Black

Code Suffix: -###

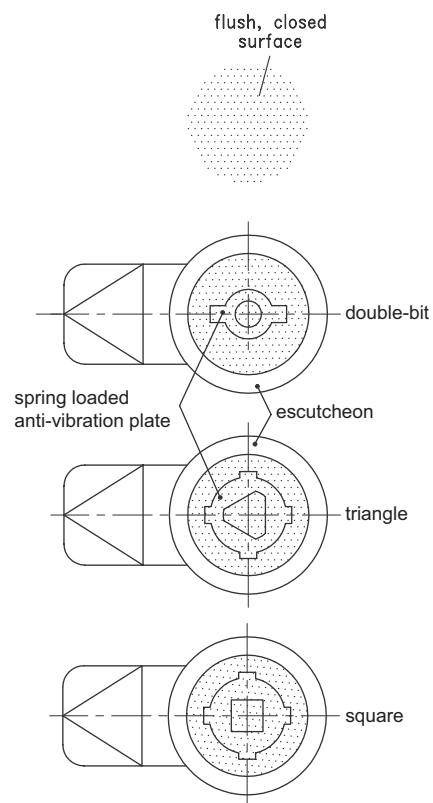
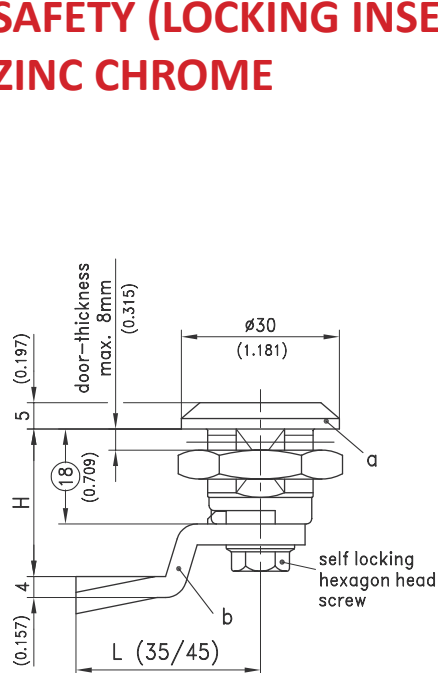
Code Suffix	Left	Right
-001		Right
-002	Left	

QUARTER TURNS

INSERT (DRIVE) TYPE

SAFETY (LOCKING INSERT)

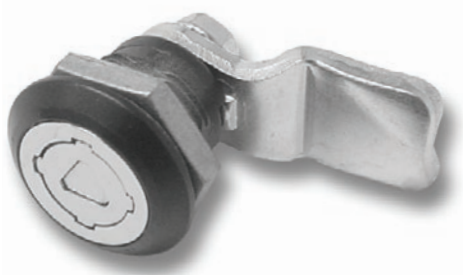
ZINC CHROME



- 30mm Diameter x 5mm H escutcheon (front face)
- 18mm long housing
- Fits panel thickness up to 8mm
- Many cam options for H-Dimensions of 2mm - 62mm
- Vibration resistant plate locks insert in place
- IP65

Code	Insert (Drive / Key Type)	Closing Direction	Cam Code	Matching Key Code
255-9802	7mm Square	Either	Order cam separately using code: 200-04## ## = Your H-Dimension between: 02-62mm	204-0102
255-9803	8mm Square	Either		204-0103
255-9807	3mm Double Bit	Anticlockwise		204-0107
255-9808	3mm Double Bit	Clockwise		204-0107
255-9809	5mm Double Bit	Anticlockwise		204-0108
255-9810	5mm Double Bit	Clockwise		204-0108

- **Black also available - Contact us.**
- **Stainless steel also available - Contact us.**

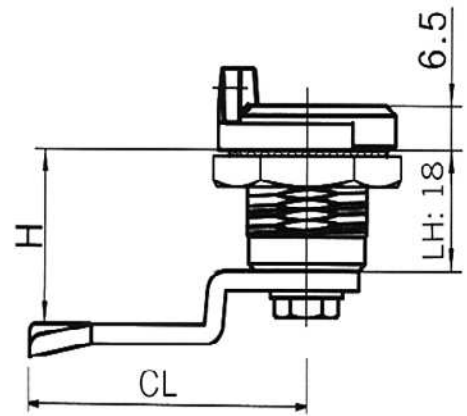
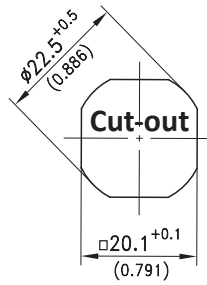


QUARTER TURNS

INSERT (DRIVE) TYPE








SEALABLE DUST CAP

ZINC CHROME

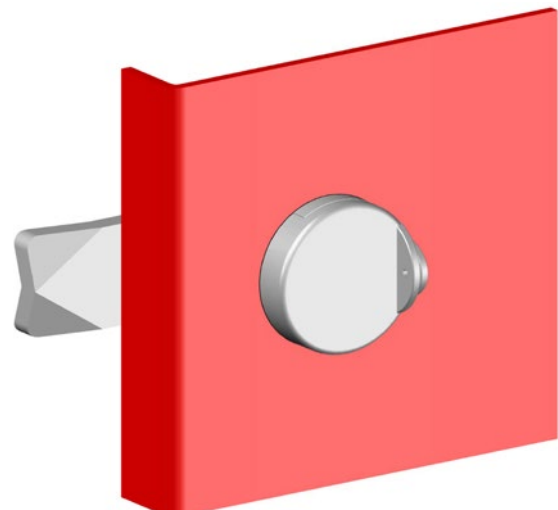


ZINC CHROME

- 29mm Diameter x 6.5mm H escutcheon (front face)
- 18mm long housing • Fits panel thickness up to 8mm
- Many cam options for H-Dimensions of 2mm - 62mm
- IP65

Code	Insert (Drive / Key Type)	Cam Code	Matching Key Code
MS705-3A-6	 7mm Square	Order cam separately using code: 200-04## ## = Your H-Dimension between: 02-62mm	204-0102
MS705-3A-4	 8mm Square		204-0103
MS705-3A-12	 7mm Triangle		204-0104
MS705-3	 8mm Triangle		204-0105
MS705-3A-1A	 3mm Double bit		204-0107
MS705-3A-1	 5mm Double bit		204-0108
MS705-3A-8	 2x4mm Slot		Flat screw driver

- Convert to compression style with PI5124 (see Section 2-19)

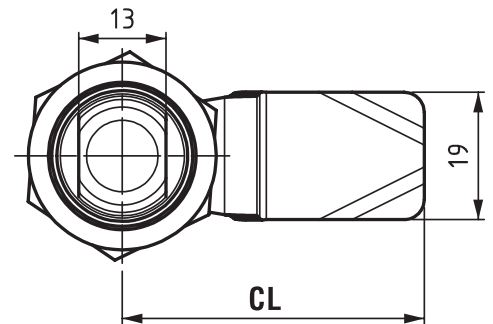
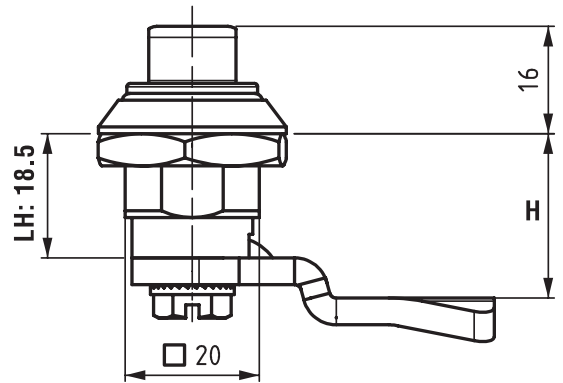
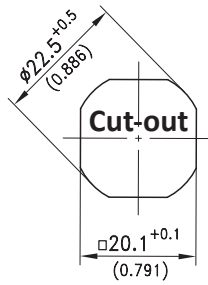


QUARTER TURNS

HYGIENE LOCK

ANTI-CONTAMINATION LOCK

STAINLESS STEEL



- Specially designed for hygiene requirements of food industry
- Silicone O-ring, dirt resistant, easy to clean
- 28mm Diameter x 4mm H escutcheon (front face)
- 18mm long housing
- Fits panel thickness up to 8mm
- Many cam options for H-Dimensions of 6mm - 50mm.
Note: 05## stainless steel cams are 304 grade and 45mm long
- IP69K

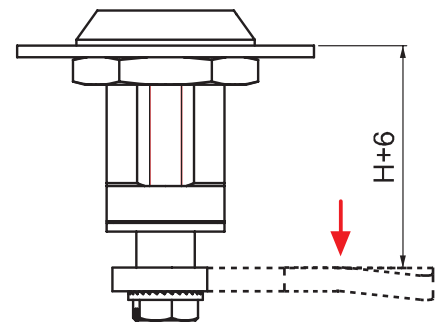
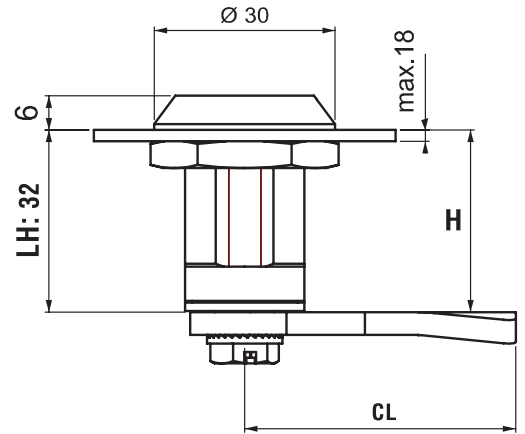


M-368-94
Key for M-460 Hygiene lock

Code	Description	Cam Code	Matching Key Code
M-460-4-0-00	Hygiene lock for food industry	Order cam separately using code: 200-05## ## = Your H-Dimension between: 06-50mm	M-368-94
M-460-4-0-36	Hygiene lock for food industry	Cam Included; H = 26mm	M-368-94

QUARTER TURNS

INSERT (DRIVE) TYPE COMPRESSION FIXED CAM ZINC & STAINLESS STEEL



- IP65
- 30mm Diameter x 6mm H escutcheon (front face)
- 6mm Cam Compression upon closing
- Fits panel thickness up to 14mm

Code	Insert (Drive / Key Type)	Matching Key Code	Cut-out Size	Code "Y"
M-040-Y-X-X-27-VV	7mm Square	204-0102		1
M-040-Y-X-X-28-VV	8mm Square	204-0103		
M-040-Y-X-X-37-VV	7mm Triangle	204-0104		3
M-040-Y-X-X-38-VV	8mm Triangle	204-0105		
M-040-Y-X-X-13-VV	3mm Double Bit	204-0107	Material / Colour	Code "X-X"
M-040-Y-X-X-15-VV	5mm Double Bit	204-0108		
M-040-Y-X-X-42-VV	2x4 Slot	Flat screw driver	Zinc - Chrome	1-1
M-040-Y-X-X-94-VV	Wing Knob		Zinc - Black	1-2
			Zinc - Grey	Contact us
			316 S/steel - Natural	4-0

Cam Code "VV"	Cam Orientation	H-Dimension (mm)	Cam Length (mm)
-30	Flat	32	45
-59	Step in	24	45

Other cams available on request
Cams not reversible (pawl)

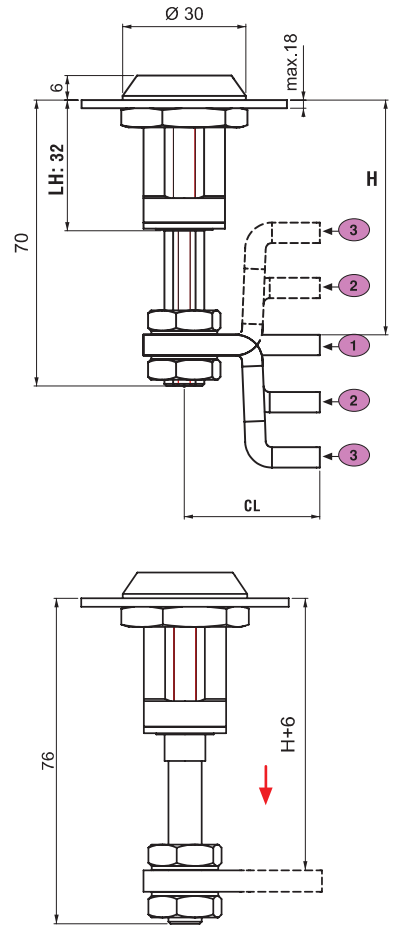
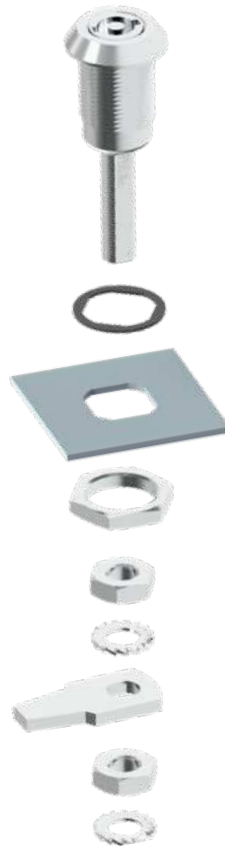
Note: Specifications can change from time to time without notice.
Cut-outs & construction should only be done with the products onsite.

QUARTER TURNS

INSERT (DRIVE) TYPE

COMPRESSION ADJUSTABLE CAM

ZINC & STAINLESS STEEL



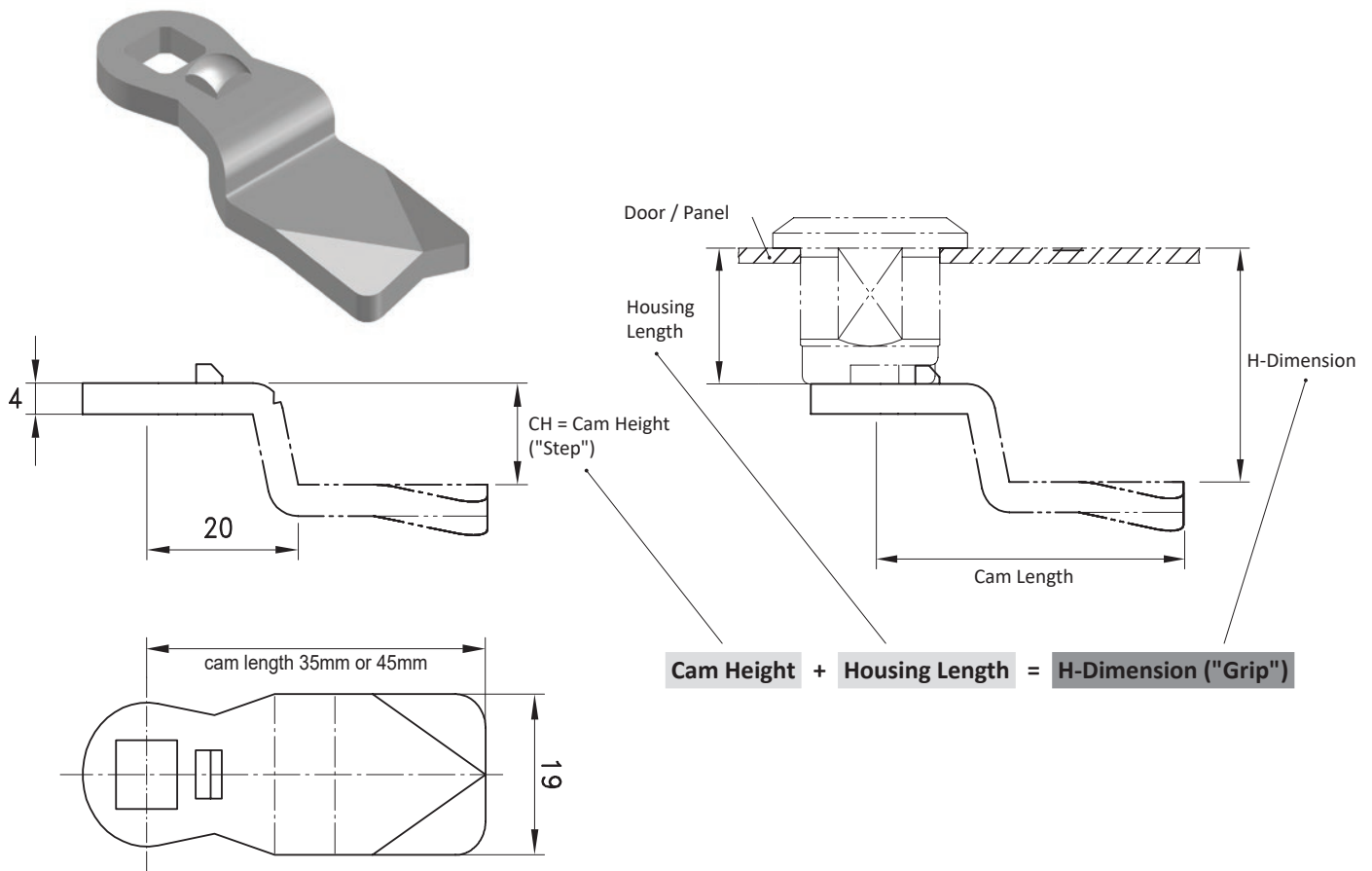
- IP65
- 30mm Diameter x 6mm H escutcheon (front face)
- 6mm Cam Compression upon closing
- Fits panel thickness up to 14mm

Code	Insert (Drive / Key Type)	Matching Key Code	Cut-out Size	Code "Y"
M-040-Y-X-X-27-VV	7mm Square	204-0102		2
M-040-Y-X-X-28-VV	8mm Square	204-0103		
M-040-Y-X-X-37-VV	7mm Triangle	204-0104		4
M-040-Y-X-X-38-VV	8mm Triangle	204-0105		
M-040-Y-X-X-13-VV	3mm Double Bit	204-0107	Material / Colour	Code "X-X"
M-040-Y-X-X-15-VV	5mm Double Bit	204-0108		
M-040-Y-X-X-42-VV	2x4 Slot	Flat screw driver	Zinc - Chrome	1-1
M-040-Y-X-X-94-VV	Wing Knob		Zinc - Black	1-2
			Zinc - Grey	Contact us
			316 S/steel - Natural	4-0

Cam Code "VV"	Cam Orientation	H-Dimension (mm)		Cam Length (mm)
		Min	Max	
-01	Flat	41	58	33
-02	Step in	27	44	33
	Step out	55	72	33
-03	Step in	13.5	30.5	33
	Step out	68	85	33

QUARTER TURNS

SINGLE POINT CAMS



Note:

- A flat cam with no step has an H-Dimension of 18mm on a standard 18mm long Housing.
- Cams that step back in towards the door panel have an H-Dimension less than 18mm on a standard Housing.
- Cams that step out away from the door panel have an H-Dimension larger than 18mm on a standard Housing.
- We can supply insert type Quarter Turn locks with H-Dimensions from as small as 2mm up to 97mm (in 2mm increments) using different combinations of housing lengths and cam heights (steps).

Code	Length	Material
200-04##	L = 45mm	Zinc
200-06##	L = 35mm	Zinc
200-05##	L = 45mm	304 Stainless Steel

Note: "##" in Code = H-Dimension (mm) when cam is fitted to standard 18mm long housing.

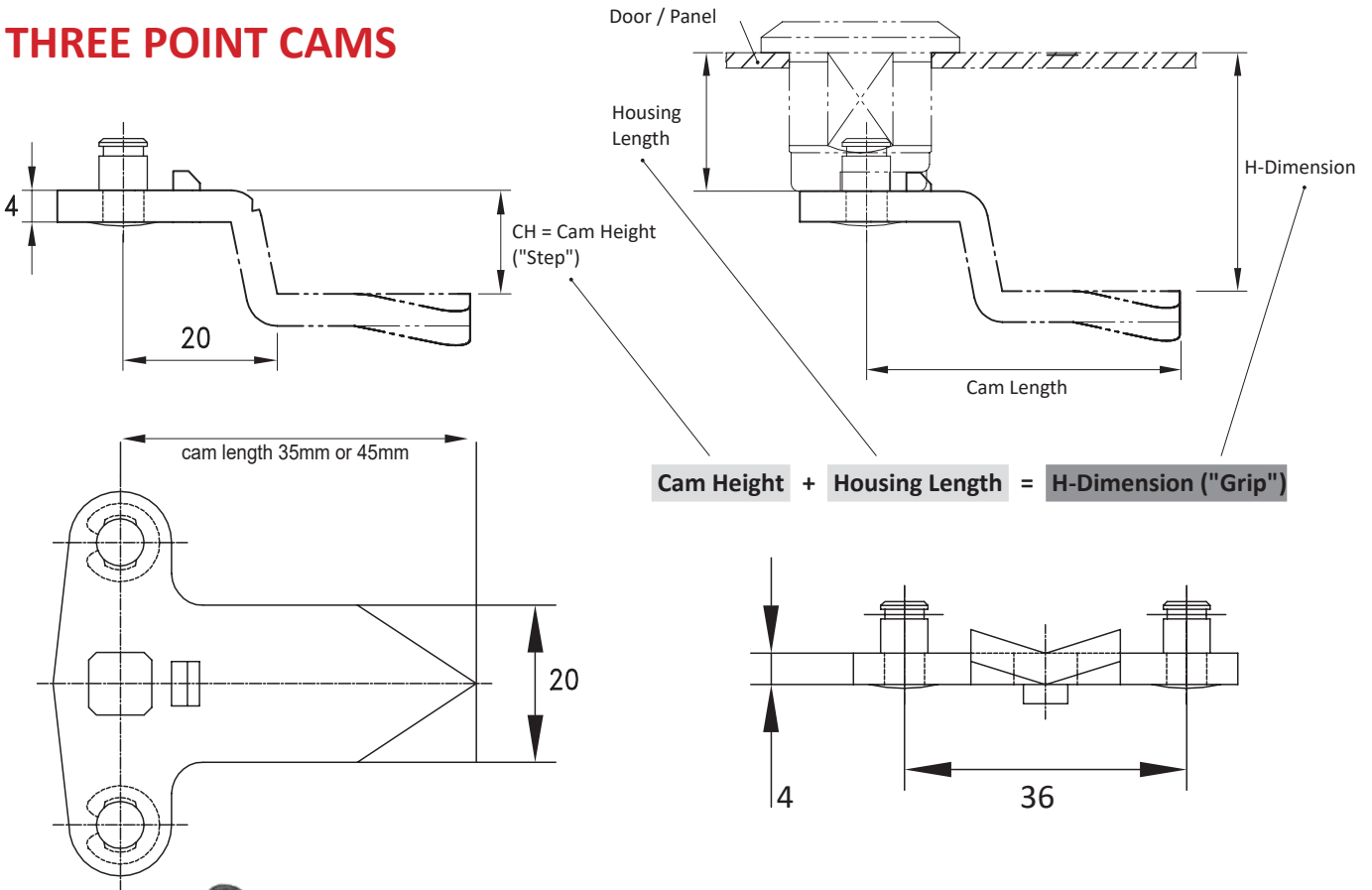
Some examples:

Housing Length		Cam Code	Cam Height (from 18mm standard)		H-Dimension	Description
18mm	+	200-0406	-12mm	=	6mm	Zinc 45mm Long Cam
18mm	+	200-0418	0mm (Flat Cam)	=	18mm	Zinc 45mm Long Cam
18mm	+	200-0426	+8mm	=	26mm	Zinc 45mm Long Cam
30mm	+	200-0450	+32mm	=	62mm	Zinc 45mm Long Cam
18mm	+	200-0526	+8mm	=	26mm	304SS 45mm Long Cam
18mm	+	200-0624	+6mm	=	24mm	Zinc 35mm Long Cam

Note: Specifications can change from time to time without notice. Cut-outs & construction should only be done with the products onsite.

QUARTER TURNS

THREE POINT CAMS



Note:

- A flat cam with no step has an H-Dimension of 18mm on a standard 18mm long Housing.
- Cams that step back in towards the door panel have an H-Dimension less than 18mm on a standard Housing.
- Cams that step out away from the door panel have an H-Dimension larger than 18mm on a standard Housing.
- We can supply insert type Quarter Turn locks with H-Dimensions from as small as 2mm up to 97mm (in 2mm increments) using different combinations of housing lengths and cam heights (steps).

Code	Length	Material
200-95##	L = 45mm	Zinc

Note: "##" in Code = H-Dimension (mm) when cam is fitted to standard 18mm long housing.

Some examples:

Housing Length	Cam Code	Cam Height (from 18mm standard)	H-Dimension	Description
18mm	+ 200-9506	-12mm	= 6mm	Zinc 45mm Long 3pt Cam
18mm	+ 200-9518	0mm (Flat Cam)	= 18mm	Zinc 45mm Long 3pt Cam
18mm	+ 200-9526	+8mm	= 26mm	Zinc 45mm Long 3pt Cam

QUARTER TURNS

HOOKED CAMS

STEEL & STAINLESS STEEL



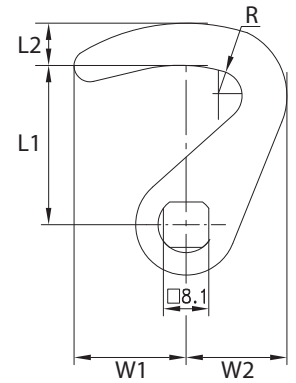
200-1703



200-1701.1



200-1701.80

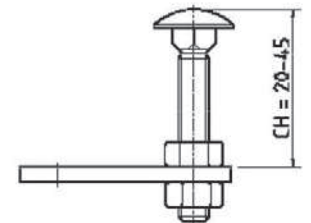
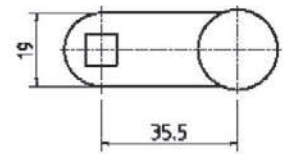


Code	L1 (mm)	L2 (mm)	W1 (mm)	W2 (mm)	R (mm)	Material
200-1703	23	5	15	9	4	Zinc
200-1701-1	29	7	16	18	4	Zinc
200-1701.80	29	7	16	18	4	304 S/Steel

ADJUSTABLE CAM

STEEL ZINC

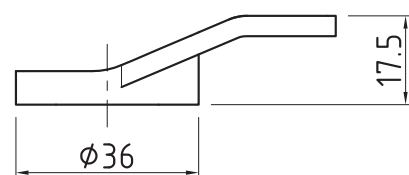
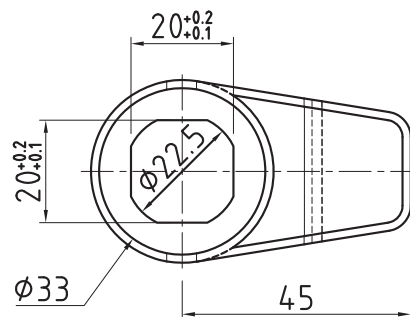
- Adjustable range 'H' dimensions
- Ideally for use with compression accessory
- Steel zinc plated



Code	Material
PI5124-09	Mild steel

FINGER PULL PLASTIC

- Black polyamide finger pull for quarter turn cut-outs



Code	Material
HP001	Polyamide

Note: Using a finger pull will reduce barrel length (for panel thickness) and H-Dimension by 2mm.

QUARTER TURNS

QUARTER TURNS

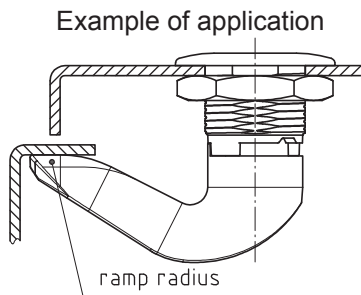
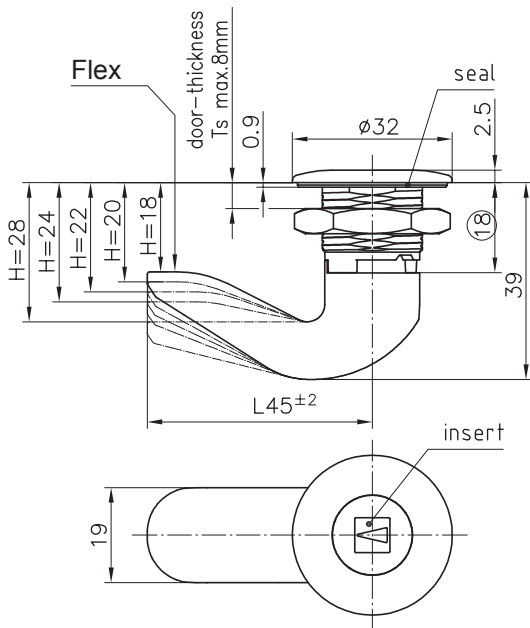
INSERT (DRIVE) TYPE

2K

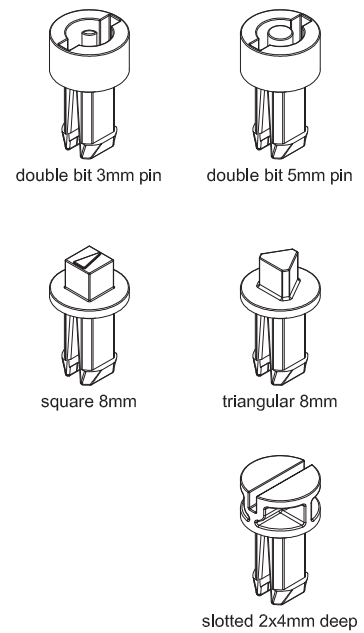
PLASTIC



- Black polyamide quarter turn locks
- Can be assembled without tools
- Corrosion proof solution
- Cam rounded right across width for easy latching
- IP67



inserts

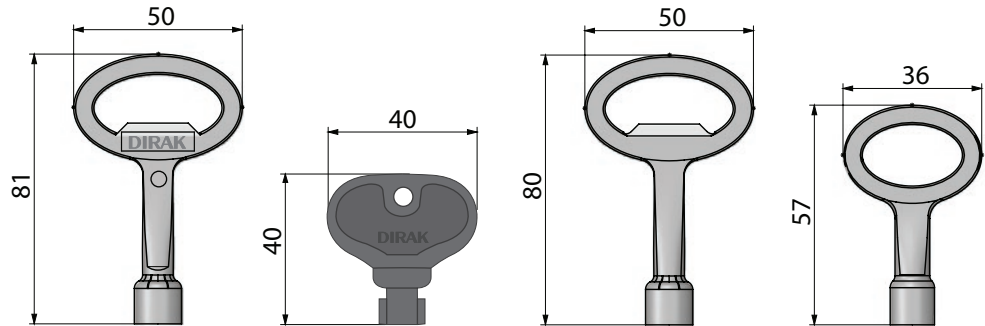


Code	Insert (Drive / Key Type)	Cam Code	Matching Key Code
200-0211-2-##	8mm Square	Replace suffix "-##" with H-Dimension to suit.	204-0103
200-0211-3-##	8mm Triangle		204-0105
200-0211-5-##	3mm Double Bit	Choose from: 18, 20, 22, 24, 28mm	204-0107
200-0211-1-##	5mm Double Bit		204-0108
200-0211-4-##	2x4mm Slotted		Flat screw driver

QUARTER TURNS

INSERT (DRIVE) TYPE KEYS

ZINC & POLYAMIDE



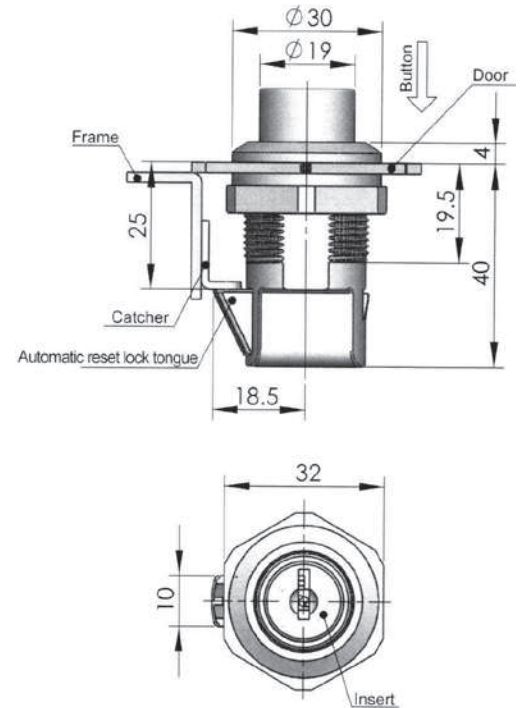
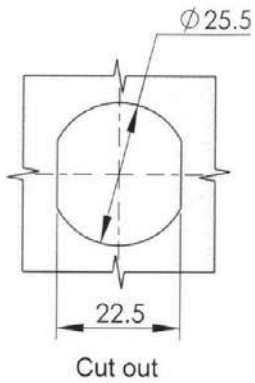
Key Type	Dirak Standard Key	Dirak Polyamide Key	Mesan Standard Key	Mesan Mini Key
6mm Square	204-0111			
7mm Square	204-0102		M-368-27	M-267-27
8mm Square	204-0103		M-368-28	
8mm Square Male	204-0121			
6mm Triangle	204-0112			
7mm Triangle	204-0104		M-368-37	M-267-37
8mm Triangle	204-0105		M-368-38	
9mm Triangle	204-0113		M-368-39	M-267-39
10mm Triangle	204-0118			
3mm Double Bit	204-0107		M-368-13	M-267-13
5mm Double Bit	204-0108	204-0408	M-368-15	
Hygiene			M-368-94	
Tubular				M-469.1.1

QUARTER TURNS

PUSH BUTTON SLAM LOCK

KEY LOCKING

PLASTIC



- Automatic locked push type
- Default key K160
- Black polycarbonate (PC)
- Spring loaded cam

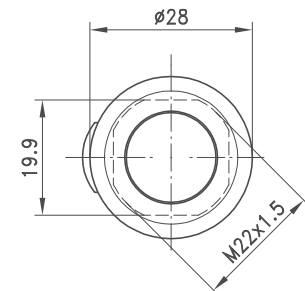
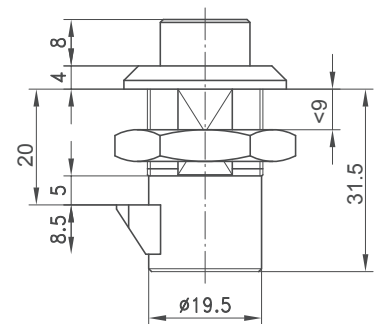
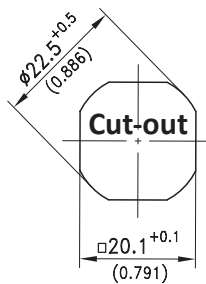
Code	Material
MS753	Black polycarbonate (PC)

PUSH BUTTON SLAM LOCK

NON LOCKING

ZINC CHROME

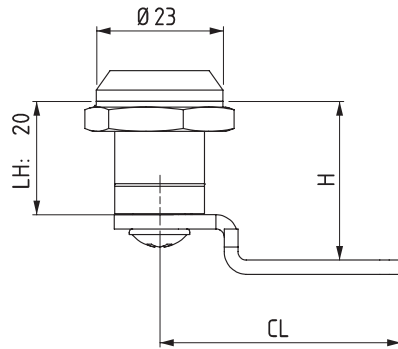
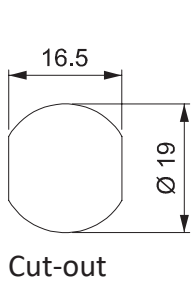
- Spring loaded cam



Code	(mm)	Max Panel Thickness	H-Dimension	Cam Length	Key Number	Master Key
264-9009		9	20	5	Non-Locking	N/A

QUARTER TURNS

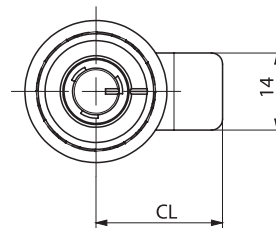
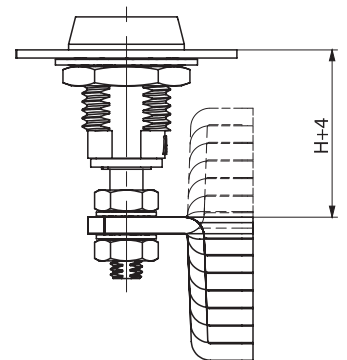
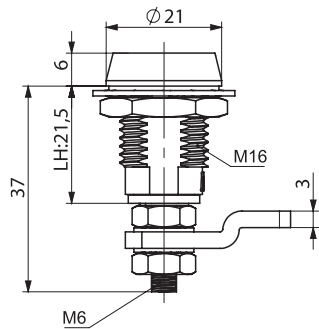
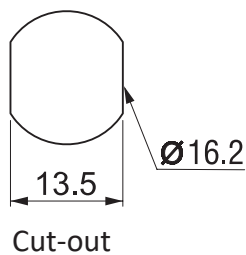
MINI INSERT (DRIVE) TYPE ZINC CHROME



- Fits smaller cam lock cut-out
- 23mm Diameter x 4mm H escutcheon (front face)
- 20mm long housing, fits panel thickness up to 8mm
- Vibration proof: Key has to be pushed in before turning. (1mm compression).

Code	Insert (Drive / Key Type)	Cam H Dimension	Matching Key Code
M-350-1-1-13-6X32	3mm Double Bit	14mm or 26mm	204-0107
M-350-1-1-27-6X32	7mm Square	14mm or 26mm	204-0102
M-350-1-1-37-6X32	7mm Triangular	14mm or 26mm	204-0104
M-350-1-1-42-6X32	Slotted	14mm or 26mm	(flat screw driver)

MINI INSERT (DRIVE) TYPE HIGH SECURITY TUBULAR KEY 316 STAINLESS STEEL



M-469.1.1
Tubular Key

- 316 Stainless Steel
- 21mm Diameter x 6mm H escutcheon (front face)
- Fits panel thickness up to 9mm
- 4mm Compression
- For better door sealing under vibrating conditions

Code	Insert (Drive / Key Type)	Cam H Dimension	Matching Key Code
M-140-4-0-93-09	Tubular	3-6mm, or 49-52mm	M-469.1.1

Note: Specifications can change from time to time without notice.
Cut-outs & construction should only be done with the products onsite.

SELECTLOK
NEW ZEALAND LTD