

## 08 COMPRESSION LOCKS

## Pages

Slim Compression Latches Flush Button Locking & Non-Locking	2
Slim Compression Latches Raised Button Locking & Non-Locking	2
Compression Latches Small Flush Button Locking	3
Compression Latches Large Flush Button Locking	4
Curved Compression Latches Large Raised Button Locking	5

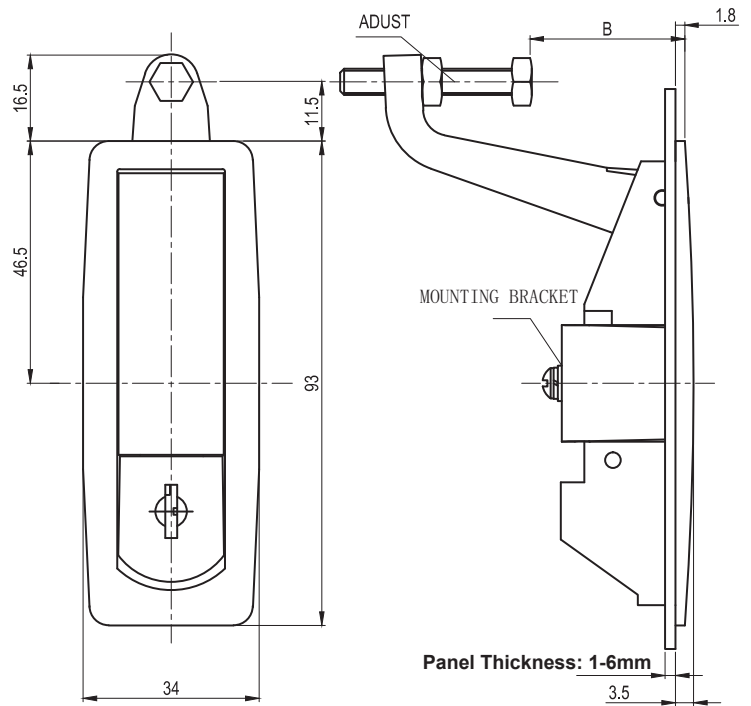
# 08 COMPRESSION LOCKS



# COMPRESSION LOCKS

## SLIM LOCKING & NON-LOCKING ZINC

- Two grip ranges: 0-16mm, or 14-37mm
- Two button types: flush or raised trigger (easy to find button)
- Locking or non-locking
- Compression action for pulling up door seals
- Push button operation
- Zinc chrome plated or black powder coated



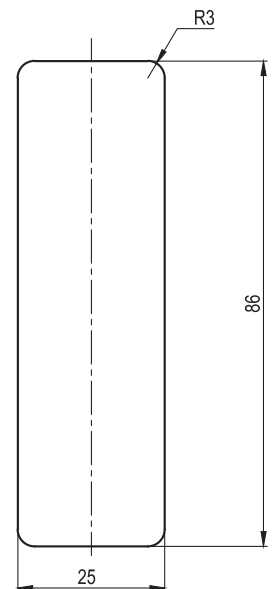
**MS606-1437-FNL-BLK**  
Flush Non Locking  
Black



**MS606-1437-RT-BLK**  
Raised Trigger Locking  
Black



**MS606-0016-RT-CH**  
Raised Trigger Locking  
Chrome



CUT OUT

Code	Description	Adjustable Cam Grip (mm)	Key Number
MS606-0016-FNL-##	Flush trigger compression latch	0 - 16mm	Non-Locking
MS606-0016-F-##	Flush trigger compression latch	0 - 16mm	CH751
MS606-1437-FNL-##	Flush trigger compression latch	14 - 37mm	Non-Locking
MS606-1437-F-##	Flush trigger compression latch	14 - 37mm	CH751
MS606-1437-RTNL-##	Raised trigger compression latch	14 - 37mm	Non-Locking
MS606-1437-RT-##	Raised trigger compression latch	14 - 37mm	CH751

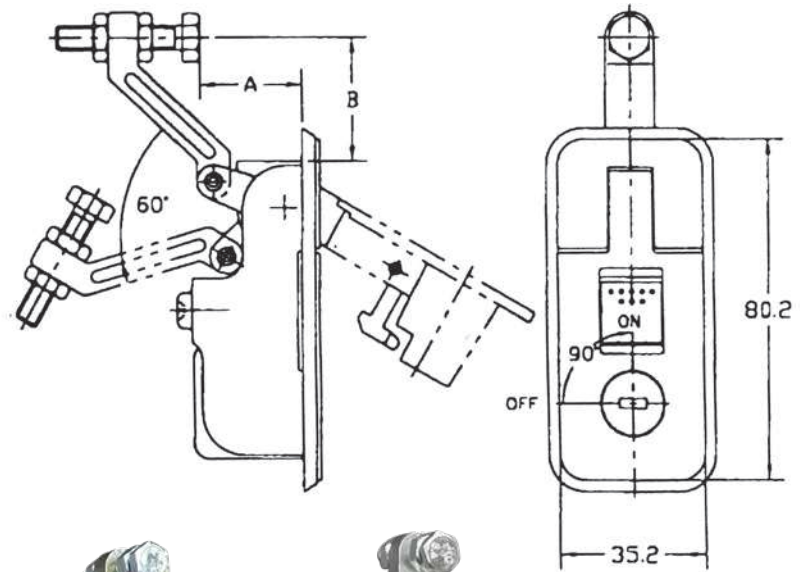
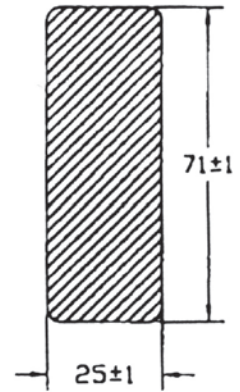
**Colour:** Replace suffix ##: **-BLK** = Black, or, **-CH** = Chrome

# COMPRESSION LOCKS

## SMALL LOCKING ZINC

- Adjustable grip range: 15mm-30mm
- Flush push button
- Supplied with gasket
- Compression action for pulling up door seals
- Push button operation
- Different key numbers available
- Zinc chrome or black powder coated

CUT OUT



10208-CH5###



10208-CH5###-BLK



10208-TL-E10



10208-TL-E10-BLK

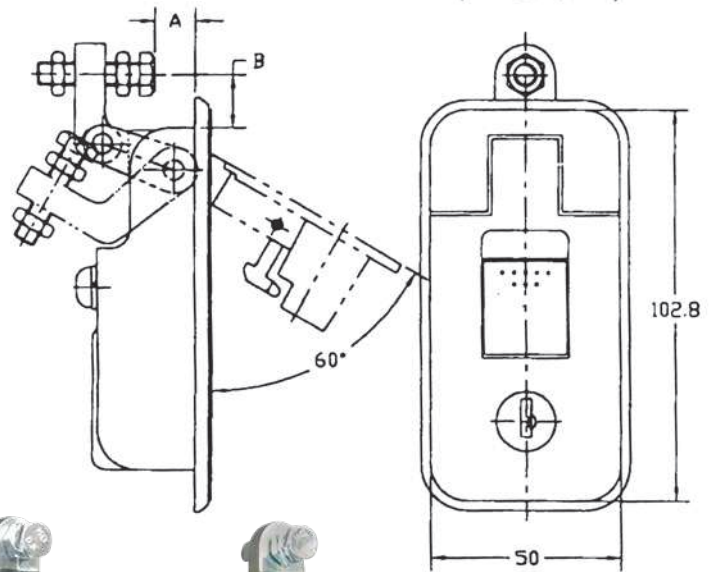
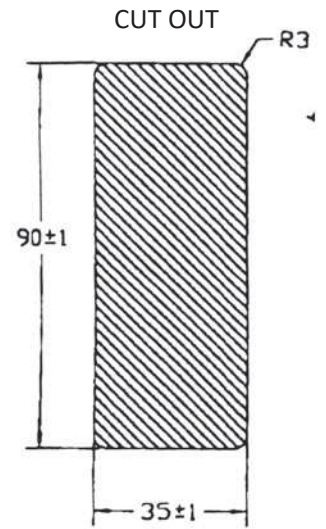
Code	Description	Adjustable Cam Grip A (mm)	Dimension B (mm)	Colour
10208-###	Push Button Compression	15 - 30	28.5	Chrome plated
10208-###-BLK	Push Button Compression	15 - 30	28.5	Black powder coated

### = Key Number: CH501, 510, TL-E10 Available

# COMPRESSION LOCKS

## LARGE LOCKING ZINC

- Two grip ranges: 1-15mm, or 20-32mm
- Flush push button
- Supplied with gasket
- Compression action for pulling up door seals
- Push button operation
- Different key numbers available
- Zinc chrome or black powder coated



10207-CH5###



10207-CH5###-BLK



10207-TL-E10



10207-TL-E10-BLK

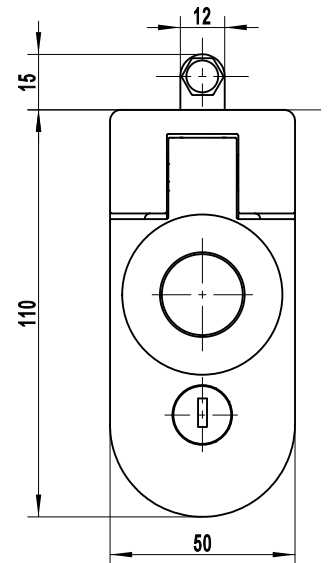
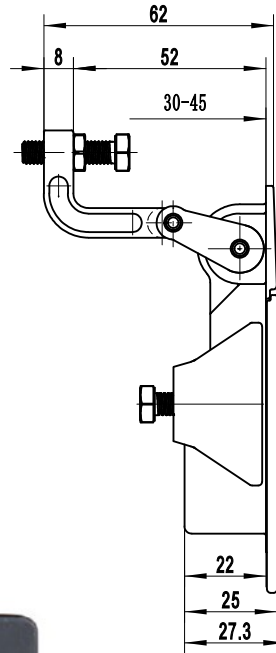
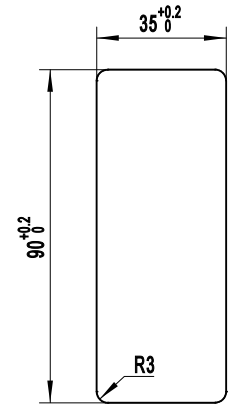
Code	Description	Adjustable Cam Grip A (mm)	Dimension B (mm)	Colour
10207-###	Push Button Compression	20 - 35	28.5	Chrome plated
10207-###-BLK	Push Button Compression	20 - 32	28.5	Black powder coated
10207A-###-BLK	Push Button Compression	1 - 15	13.5	Black powder coated

### = Key Number: CH501, CH502, CH505, CH510 TL-E10 Available

# COMPRESSION LOCKS

## LARGE CURVED LOCKING

- Adjustable grip range: 30-45mm
- Flush curved design with slightly raised push button (easy to find)
- Supplied with gasket
- Compression action
- Push button release
- Quality feel with positive latching
- Zinc chrome or black powder coated



MS609-1A-1-CH



MS609-1A-1-BLK

Code	Description	Key Number	Adjustable Cam Grip (mm)	Colour
MS609-1A-1-BLK	Push Button Compression	CH751	30 - 45	Black powder coated
MS609-1A-1-CH	Push Button Compression	CH751	30 - 45	Chrome plated

COMPRESSION LOCKS