

07 FOLDING T (DROP T) HANDLES	Pages
Sleek Series Whale Tail Padlockable & Key Locking With Roller Cam	2 - 3
Imperial Series Whale Tail Padlockable & Key Locking With Roller Cam	4
Midnight Series Whale Tail Padlockable & Key Locking With Roller Cam	5
Midnight Series Comfort Handle Key Locking With Standard Cam	6
Midnight Series Central Locking Gear Trays	7
Midnight Series Comfort Handle Key Locking With Standard Key	8 - 9
304SS Comfort Series Standard Key With Standard Cam	10
316SS Comfort Series Non-Locking With Standard Cam	11
304SS Comfort Series Non-Latching Grab Handle Only	12
304SS Signature Series Low Profile, FS880 Key & Flat Cam	13
304SS Signature Series Heavy Duty, FS880 Key & Bent Cam	14
304SS Signature Series Standard Key With Bent Cam	15
304SS Signature Series Standard Key With Flat Cam	16
304SS Economy Series Standard Key With Flat Cam	17
304SS Economy Series Non-Locking With Flat Cam	18
Mini & Large Padlockable & Key Locking With Roller Cam	19 - 20
Midnight & Comfort Series Accessories	21 - 23

07 FOLDING T (DROP T) HANDLES



FOLDING T HANDLES

SLEEK SERIES WHALE TAIL ZINC ALLOY

FEATURES

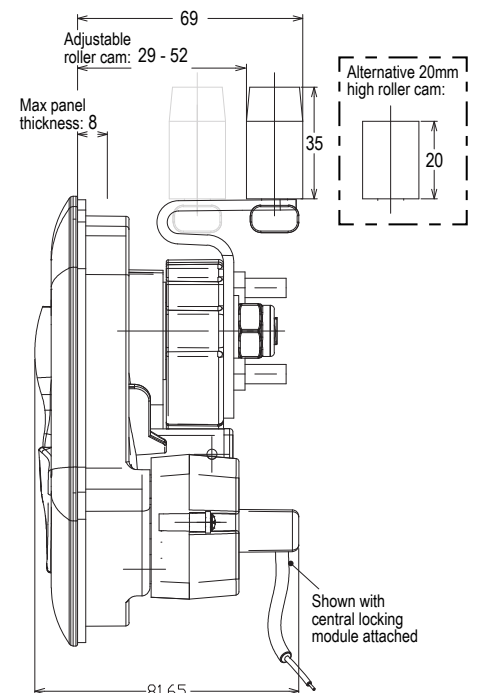
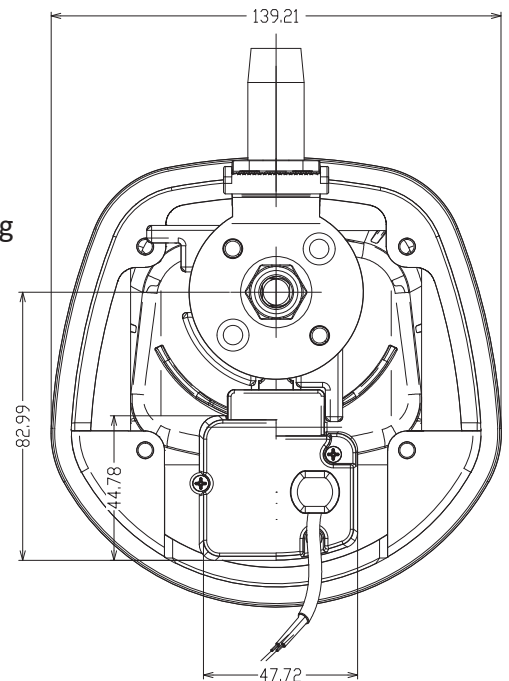
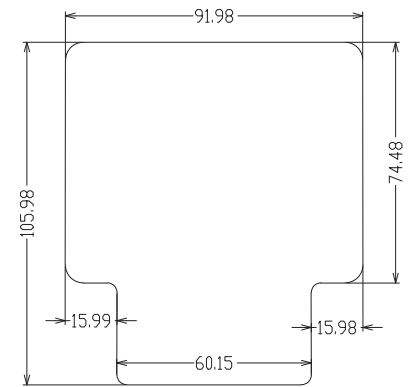
- New IP65 “Sleek” series whale tail folding T-handle
- Dual locking: padlockable and key locking
- Supplied with two options of roller cam heights
- Pins to suit our 8mm diameter rods for three point locking
- 5mm compression on roller cam as handle is stowed
- High security lazer cut key
- Key barrel spring return after lock/unlock rotation
- Mounting backing plate for more secure installation

MATERIAL & FINISH

- Die cast zinc alloy: textured black powder coat / zinc chrome plating
- Zinc plated mild steel other components

ACCESSORY OPTIONS:

- Compact 12V central locking module available separately - can be retrofitted at a later date giving both designer and end user cost effective flexibility
- Counter clockwise cam option available for installations where opposite cam rotation required



10598-K###-ZBB
Black dish / Black handle

10598-K###-ZBC
Black dish / Chrome handle

Code	Description	Dish	Handle
10598-K###-ZBB	Folding T Handle	Black EDP	Black EDP
10598-K###-ZBC	Folding T Handle	Black EDP	Chrome

See adjacent page for accessories

Note: Specifications can change from time to time without notice.
Cut-outs & construction should only be done with the products onsite.

SELECTLOK
NEW ZEALAND LTD

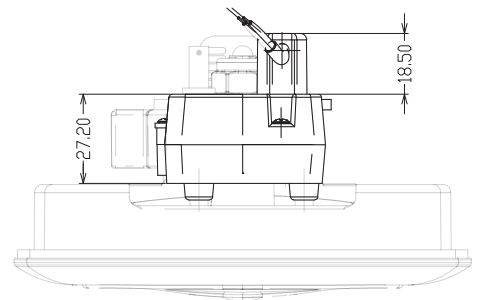
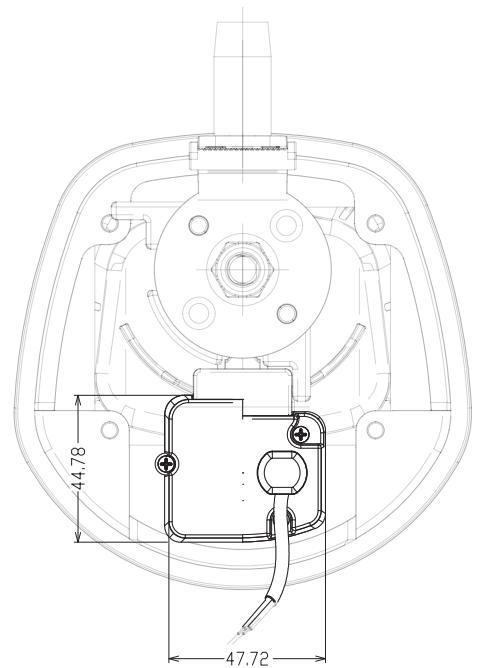
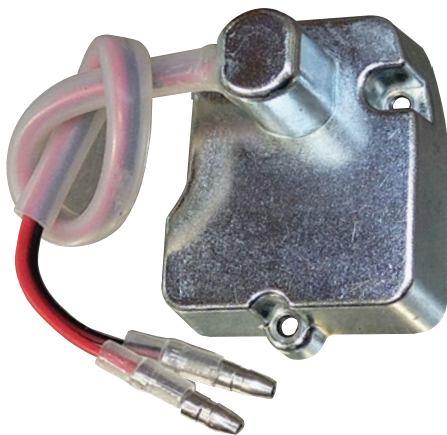
FOLDING T HANDLES

SLEEK SERIES ACCESSORIES



CENTRAL LOCKING MODULE

- 12V Central locking module for Sleek folding T handles
- Can be retrofitted to preinstalled Sleek series handles
- Very compact - minimal space required
- Double insulated cables protected against chaffing
- Simple two wire positive / negative connection



Code	Description
10598-CL-12V-1	12V Central Locking Module

COUNTER CLOCKWISE CAM

- Replacement cam plate for Sleek folding T handles requiring opposite (counter clockwise rotation)



Code	Description
10598-CAM-CCW	Cam for Counter-Clockwise Rotation

FOLDING T HANDLES

IMPERIAL SERIES

WHALE TAIL HANDLE

ZINC ALLOY

FEATURES:

- Traditional whale tail handle design
- Heavy duty construction
- Suitable for 1 or 3 point locking
- Adjustable grip roller cam
- Three point locking cam for rods
- Key locking and padlockable

DIMENSIONS:

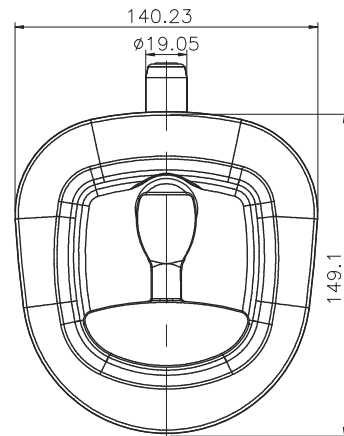
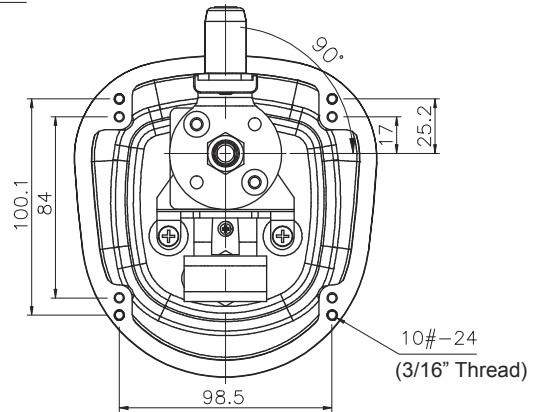
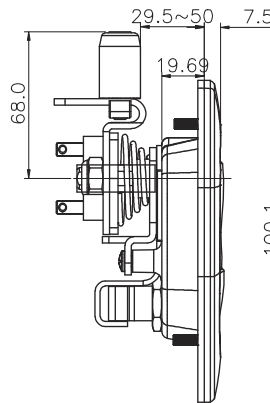
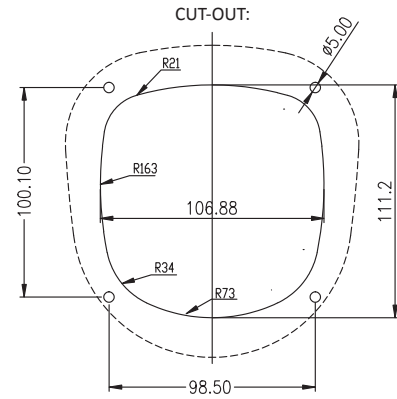
- 144mm Height
- 140mm width

MATERIAL & FINISH

- Powder Coated Zinc, Zinc plated Bracket
- Zinc plated Mild steel Cam & shaft

ACCESSORY OPTIONS:

- Locking rods and pins
- Rod Guides



Code	Handle	Dish	Key Number
50054PBR3-BB	Black	Black	CH545
50054PBR3-BC	Chrome	Black	CH545

FOLDING T HANDLES

FOLDING T HANDLES

MIDNIGHT SERIES WHALE TAIL HANDLE AUTOMOTIVE KEY ZINC ALLOY

FEATURES:

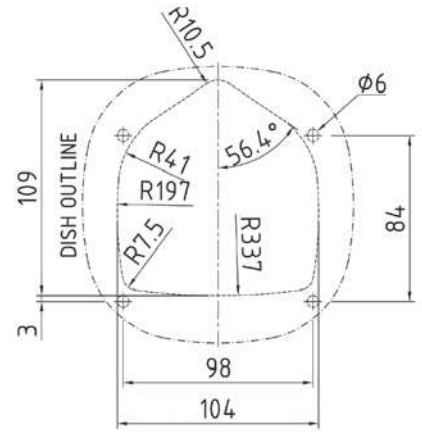
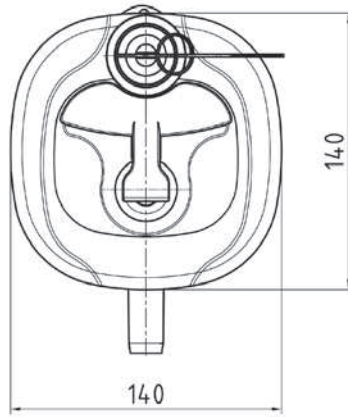
- New modern design
- Heavy duty construction
- Suitable for 1 or 3 point locking
- Adjustable grip roller cam
- New plastic spring clicker
- High security automotive barrel
- Suit padlock up to 8mm

MATERIAL & FINISH

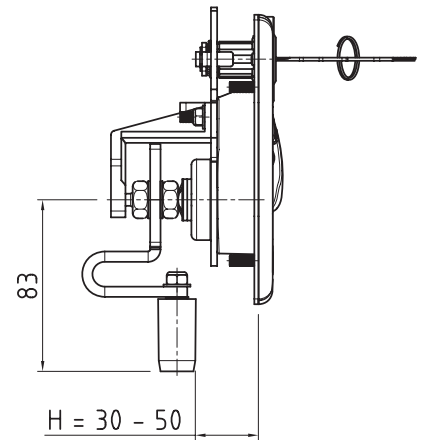
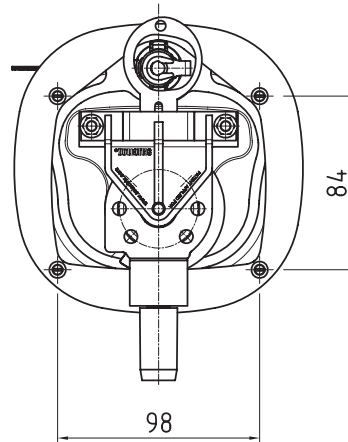
- Zinc die, Zinc plated Bracket
- Zinc plated Mild steel Cam & shaft

ACCESSORY OPTIONS:

- Central locking gear tray
- Locking rods and pins
- Rod Guides



CUT-OUT



Code	Handle	Dish	Key Number
10503-SK#-ZBB-R	Black	Black	SK#
10503-SK#-ZBC-R	Chrome	Black	SK#
10503-SK#-ZCC-R	Chrome	Chrome	SK#

See Section 7:7 for central locking gear trays to suit

FOLDING T HANDLES

MIDNIGHT SERIES COMFORT HANDLE AUTOMOTIVE KEY ZINC ALLOY

FEATURES:

- New modern design
- Heavy duty construction
- Suitable for 1 or 3 point locking
- New plastic spring clicker
- High security automotive barrel

DIMENSIONS:

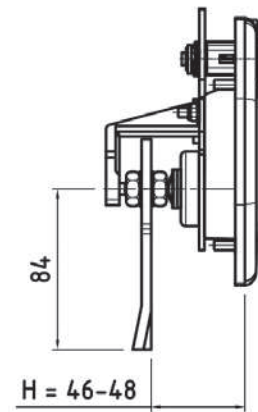
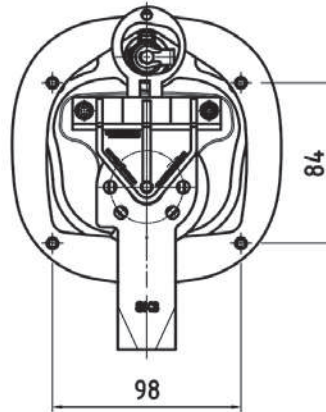
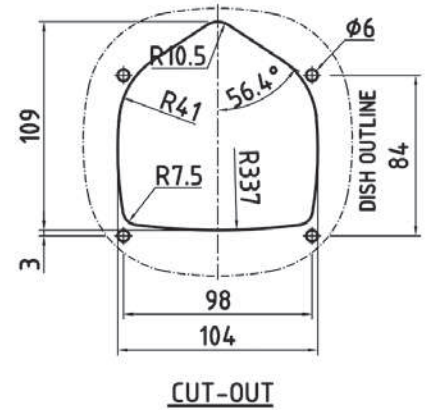
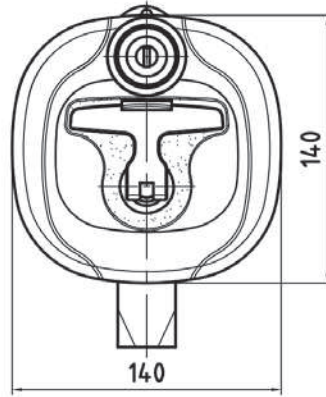
- 140mm Height
- 140mm width

MATERIAL & FINISH

- Zinc die, Zinc plated Bracket
- Zinc plated Mild steel Cam & shaft

ACCESSORY OPTIONS:

- Central locking gear tray
- Locking rods and pins
- Rod Guides
- Adjustable Roller Cam



Code	Handle	Dish	Key Number
10502-SK#-ZBB	Black	Black	SK#
10502-SK#-ZBC	Chrome	Black	SK#
10502-SK#-ZCC	Chrome	Chrome	SK#

See Section 7:7 for central locking gear trays to suit

Note: Specifications can change from time to time without notice.
Cut-outs & construction should only be done with the products onsite.

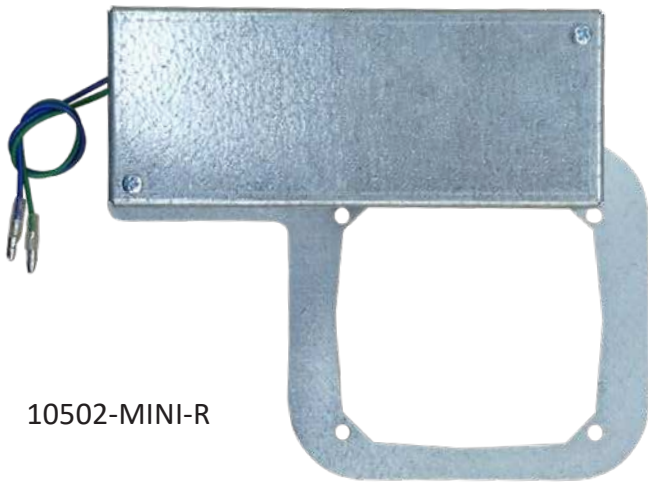
SELECTLOK
NEW ZEALAND LTD

FOLDING T HANDLES

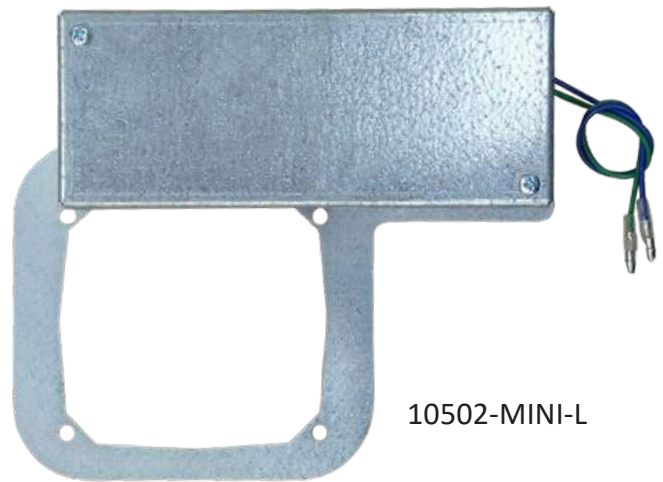
MIDNIGHT SERIES

CENTRAL LOCKING GEAR TRAY

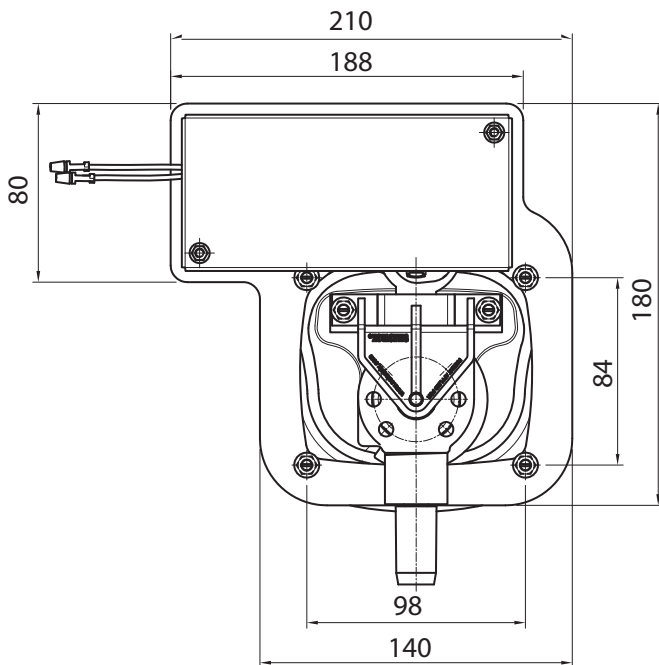
- 12V Central locking gear tray
- Suits 10502 and 10503 Midnight series folding T handles with SK## key numbers
- Can be retrofitted to preinstalled Midnight series handles
- Uses standard gun type solenoid actuator
- Simple two wire positive / negative connection
- White zinc coated steel housing



10502-MINI-R



10502-MINI-L



Showing 10502-MINI-L fitted to 10503-SK##-ZCC-R

Code	Side
10502-MINI-L	Left hand
10502-MINI-R	Right hand

FOLDING T HANDLES

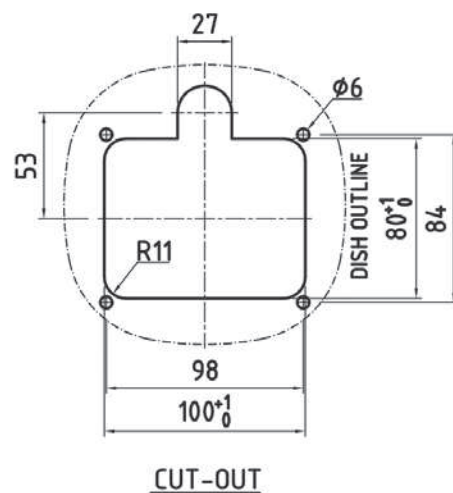
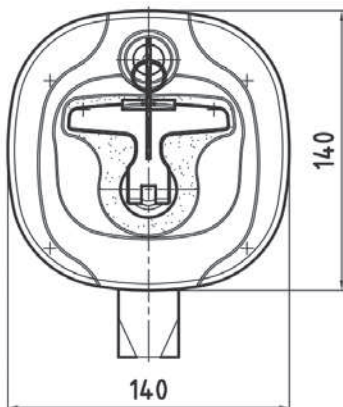
MIDNIGHT SERIES COMFORT HANDLE STANDARD KEY ZINC ALLOY

FEATURES:

- New modern design
- Heavy duty construction
- Suitable for 1 or 3 point locking

DIMENSIONS:

- 140mm Height
- 140mm width

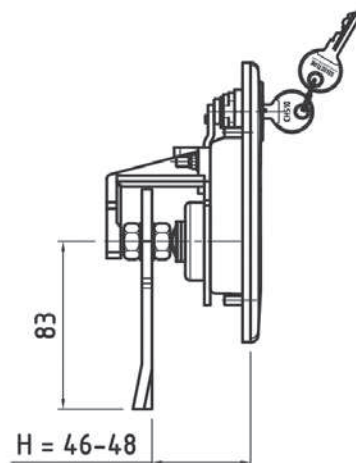
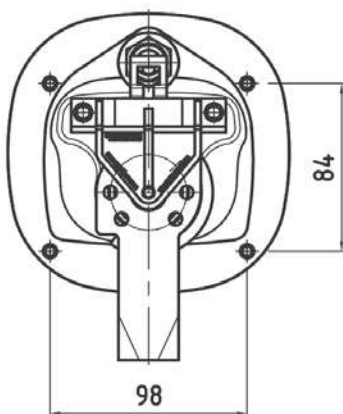


MATERIAL & FINISH

- Zinc die, Zinc plated Bracket
- Zinc plated Mild steel Cam & shaft

ACCESSORY OPTIONS:

- Locking rods and pins
- Rod Guides
- Adjustable Roller Cam



Code	Handle	Dish
10502-CH5###-S-N-ZBC	Chrome	Black
10502-CH5###-S-N-ZCC	Chrome	Chrome

Note: Specifications can change from time to time without notice.
Cut-outs & construction should only be done with the products onsite.

SELECTLOK
NEW ZEALAND LTD

FOLDING T HANDLES

MIDNIGHT SERIES

HEAVY DUTY MOUNTING

COMFORT HANDLE

STANDARD KEY

ZINC ALLOY

FEATURES:

- New modern design
- Heavy duty construction
- Suitable for 1 or 3 point locking
- High security automotive barrel

DIMENSIONS:

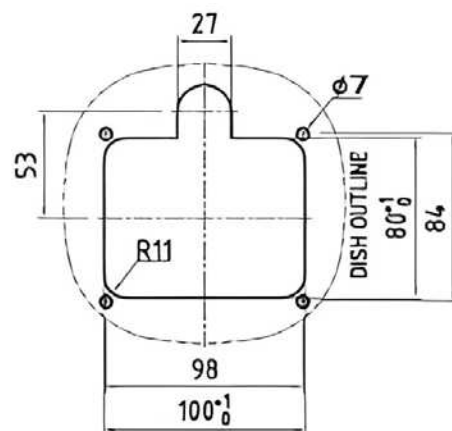
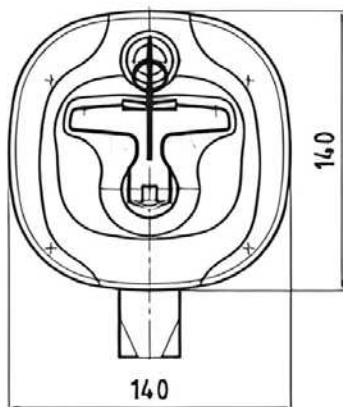
- 140mm Height
- 140mm width

MATERIAL & FINISH

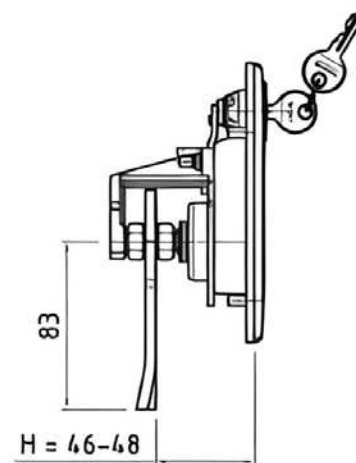
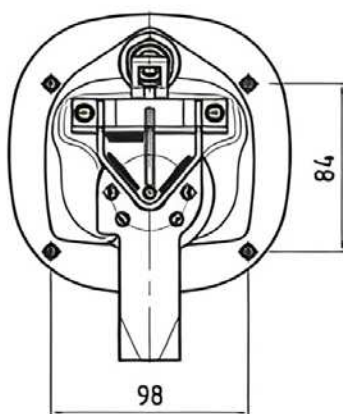
- Zinc die, Zinc plated Bracket
- Zinc plated Mild steel Cam & shaft

ACCESSORY OPTIONS:

- Locking rods and pins
- Rod Guides
- Adjustable Roller Cam



CUT-OUT



Code	Mounting	Handle	Dish
10502-CH5##-C6-N-ZBC	M6 C/Sunk Holes	Chrome	Black

FOLDING T HANDLES

COMFORT SERIES

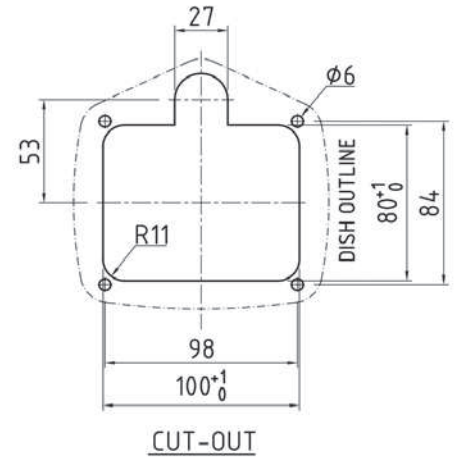
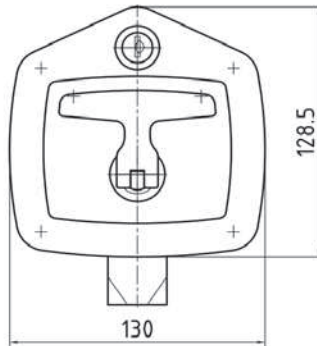
STAINLESS STEEL

FEATURES:

- New modern design comfort handle
- Stainless steel dish (mirror-like finish)
- IP65 (when dust cap fitted)
- Heavy duty construction
- Suitable for 1 or 3 point locking

DIMENSIONS:

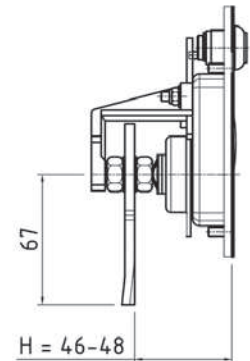
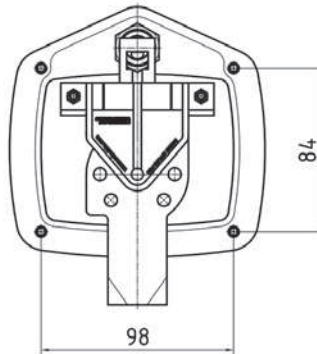
- 128.5mm Height
- 130mm width



CUT-OUT

MATERIAL & FINISH

- Zinc die, chrome plated Handle
- Zinc die cast Bracket
- Stainless steel Dish
- Mild steel, zinc plated Cam & Shaft



ACCESSORY OPTIONS:

- Locking rods and pins
- Rod Guides
- Adjustable Roller Cam



Code	Key Number	Mounting Method
10502-CH5##-N	CH5##	Holes
10502-CH5##-S-N	CH5##	M5 studs

Fasteners available separately - contact us

Note: Specifications can change from time to time without notice.
Cut-outs & construction should only be done with the products onsite.

SELECTLOK
NEW ZEALAND LTD

FOLDING T HANDLES

COMFORT SERIES

NON-LOCKING

MARINE GRADE

316 STAINLESS STEEL

FEATURES:

- New modern design comfort handle
- Full Stainless steel -316 where possible
- Non-locking
- Heavy duty construction
- IP65 rated
- Suitable for 1 or 3 point locking

DIMENSIONS:

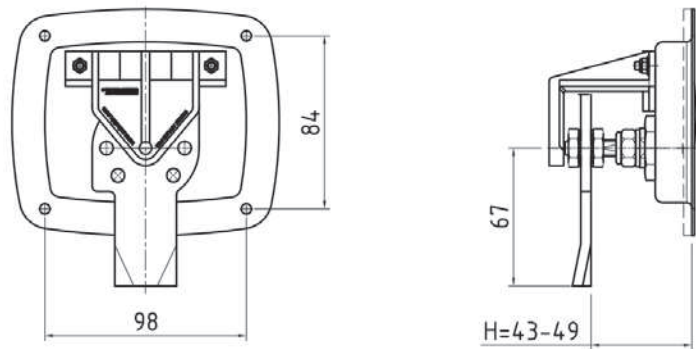
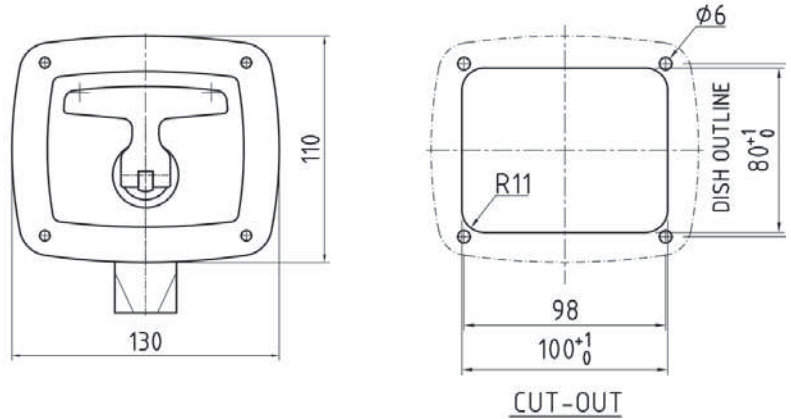
- 110mm Height
- 130mm width

MATERIAL & FINISH

- Stainless steel (316) Handle & Shaft
- Stainless steel (316) Bracket
- Stainless steel (316) Dish
- Stainless steel (316) Cam

ACCESSORY OPTIONS::

- Locking rods and pins
- Rod guides
- Adjustable roller cam



Code	Key Number	Mounting Method
10502SS-316	Non-locking	Holes

Fasteners available separately - contact us

FOLDING T HANDLES

COMFORT SERIES

NON LATCHING GRAB HANDLE

FEATURES:

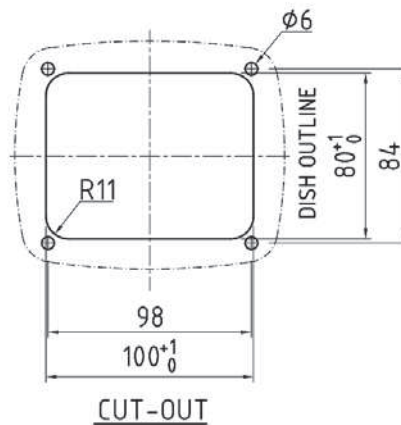
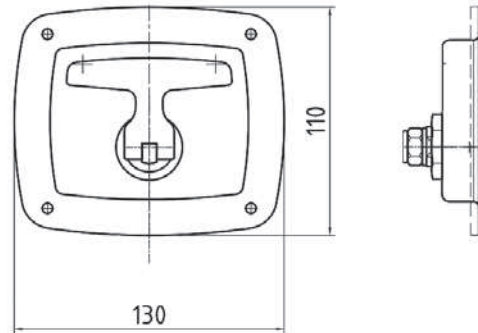
- Fold away flush grab handle
- New modern design comfort handle
- Stainless steel dish (mirror-like finish)
- Heavy duty construction

DIMENSIONS:

- 128.5mm Height
- 130mm width

MATERIAL & FINISH

- Zinc die, chrome plated Handle
- Stainless steel Dish



Code	Key Number	Mounting Method
10502-PULL-N	Non-latching, Non-locking	Holes

Fasteners available separately - contact us

FOLDING T HANDLES

SIGNATURE SERIES

LOW PROFILE

FS880 KEY

STAINLESS STEEL

FEATURES:

- Stainless steel dish (mirror-like finish)
- Signature series rounded handle
- Low profile
- Includes with rod pins (Linkages)
- Heavy duty construction
- IP65 rated
- Suitable for 1 or 3 point locking

DIMENSIONS:

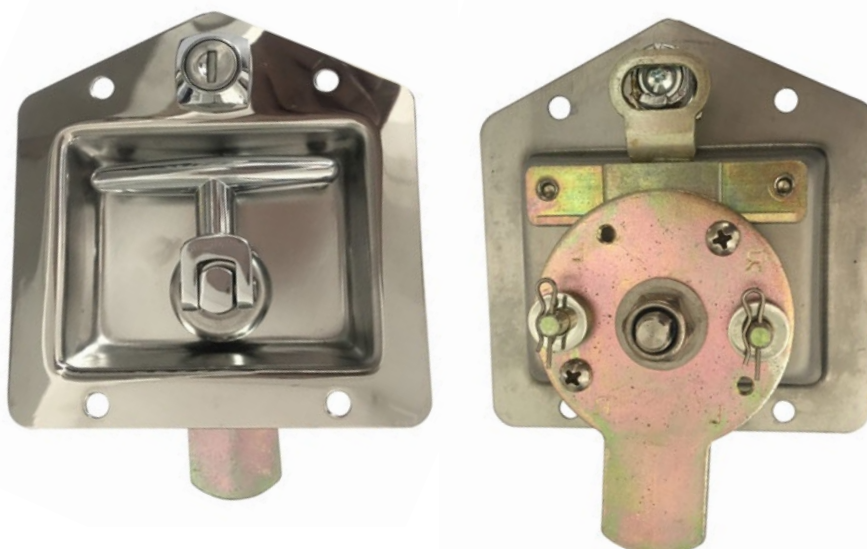
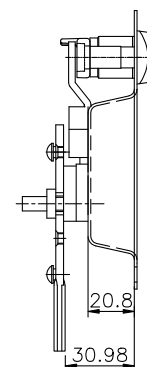
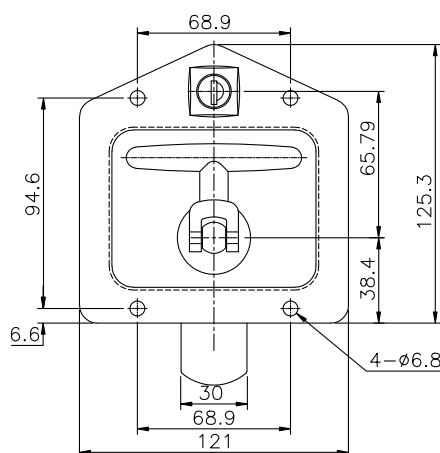
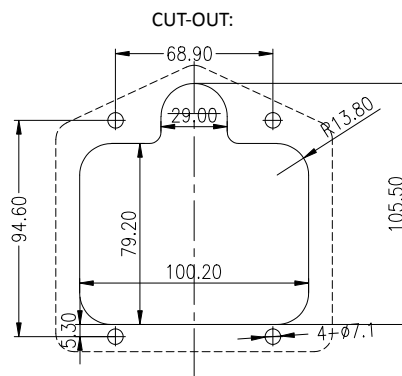
- 110mm Height
- 130mm width

MATERIAL & FINISH

- Zinc die cast Handle
- Zinc die cast Bracket
- Stainless steel Dish
- Mild steel, zinc plated Cam & Shaft

ACCESSORY OPTIONS:

- Locking rods and pins
- Rod Guides



Rounded Signature Handle

Code	Key Number	Mounting Method
10502-FS880	FS880	Holes

Fasteners available separately - contact us

FOLDING T HANDLES

SIGNATURE SERIES

HEAVY DUTY

FS880 KEY

STAINLESS STEEL

FEATURES:

- Stainless steel dish (mirror-like finish)
- Signature series rounded handle
- Heavy duty construction
- IP65 rated
- Suitable for 1 or 3 point locking

DIMENSIONS:

- 110mm Height
- 130mm width

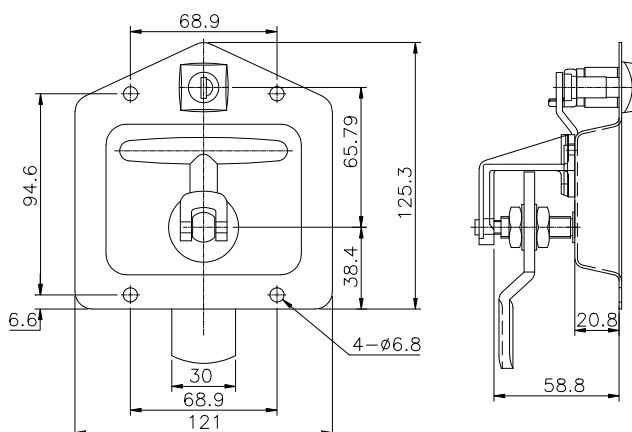
MATERIAL & FINISH

- Zinc die cast Handle
- Zinc die cast Bracket
- Stainless steel Dish
- Mild steel, zinc plated Cam & Shaft

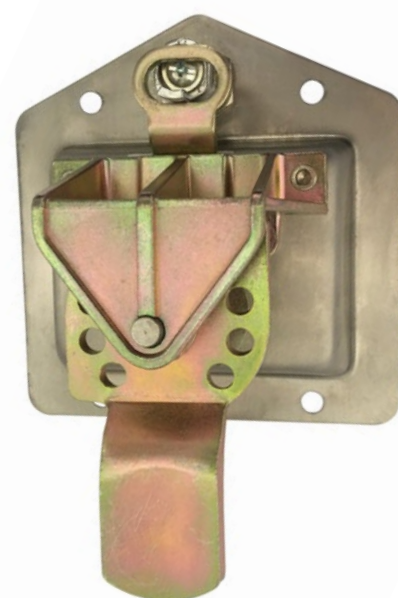
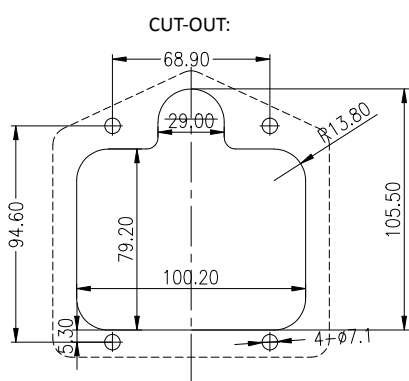
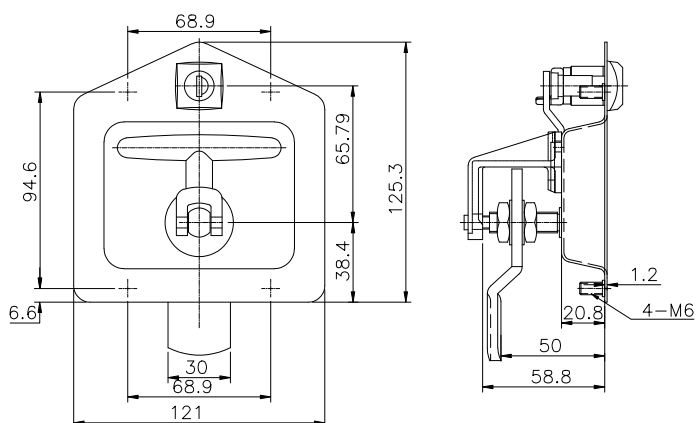
ACCESSORY OPTIONS:

- Locking rods and pins
- Rod Guides

Hole Mounting



Stud Mounting



Rounded Signature Handle

Code	Key Number	Mounting Method
10502-H-FS880	FS880	Holes
10502-H-FS880-S	FS880	M5 studs

Fasteners available separately - contact us

Note: Specifications can change from time to time without notice.
Cut-outs & construction should only be done with the products onsite.

SELECTLOK
NEW ZEALAND LTD

FOLDING T HANDLES

SIGNATURE SERIES

STAINLESS STEEL WITH HEAVY DUTY ALUMINIUM BACK

BENT CAM

FEATURES:

- Stainless steel dish polished finish
- Heavy duty cast aluminium back
- Signature series rounded handle
- Includes lock barrel water cap
- IP65 rated
- Suitable for 1 or 3 point locking

DIMENSIONS:

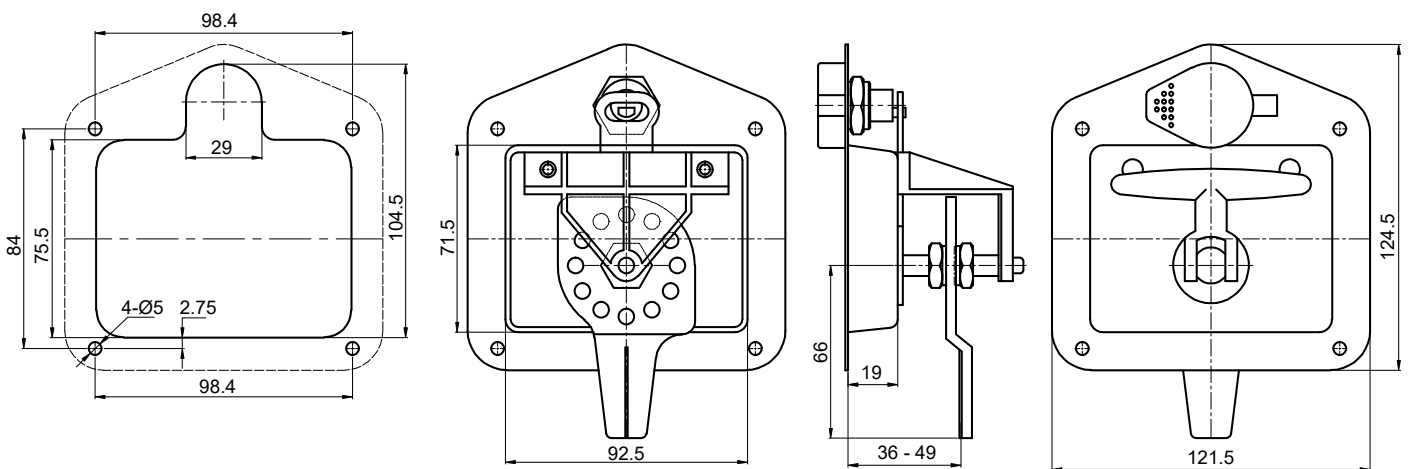
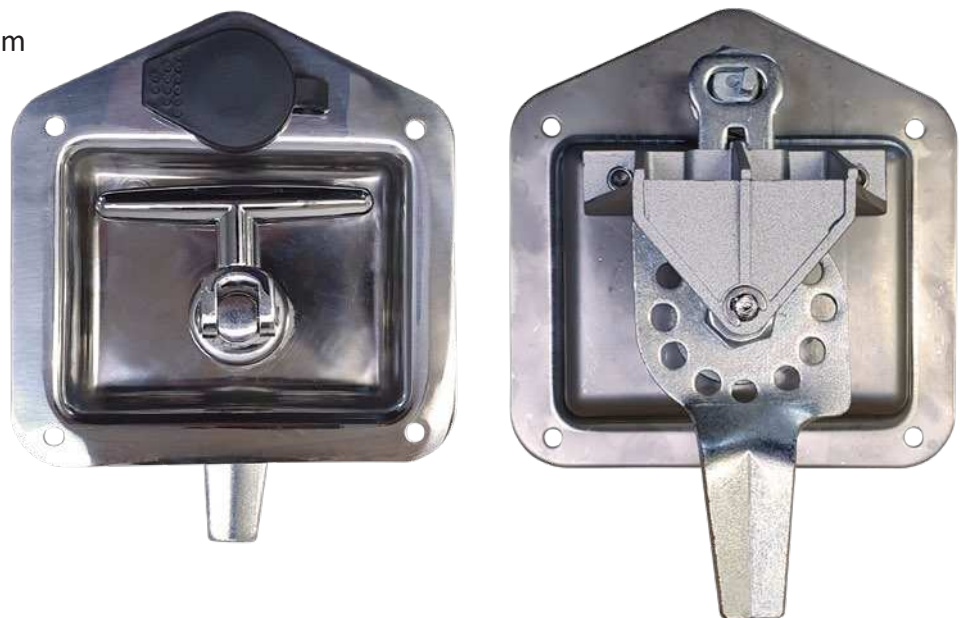
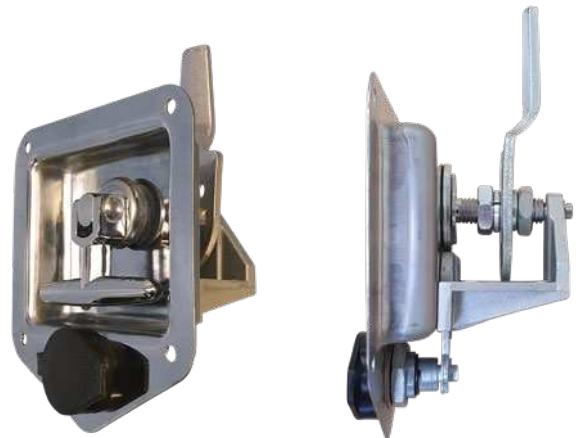
- Cam Height Adjustable: 36-49mm
- 124.5mm High
- 121.5mm Wide

MATERIAL & FINISH

- Zinc die cast Handle
- Cast aluminium bracket
- Stainless steel Dish
- Steel zinc cam & shaft

ACCESSORY OPTIONS:

- Locking rods and pins
- Rod Guides



Code	Cam	Key Number	Mounting Method
10502-CH510-SIG-A	Bent Cam	CH510	M5 Holes

Fasteners available separately - contact us

FOLDING T HANDLES

SIGNATURE SERIES

STAINLESS STEEL WITH HEAVY DUTY ALUMINIUM BACK

STRAIGHT CAM

FEATURES:

- Stainless steel dish polished finish
- Heavy duty cast aluminium back
- Signature series rounded handle
- Includes lock barrel water cap
- IP65 rated
- Suitable for 1 or 3 point locking

DIMENSIONS:

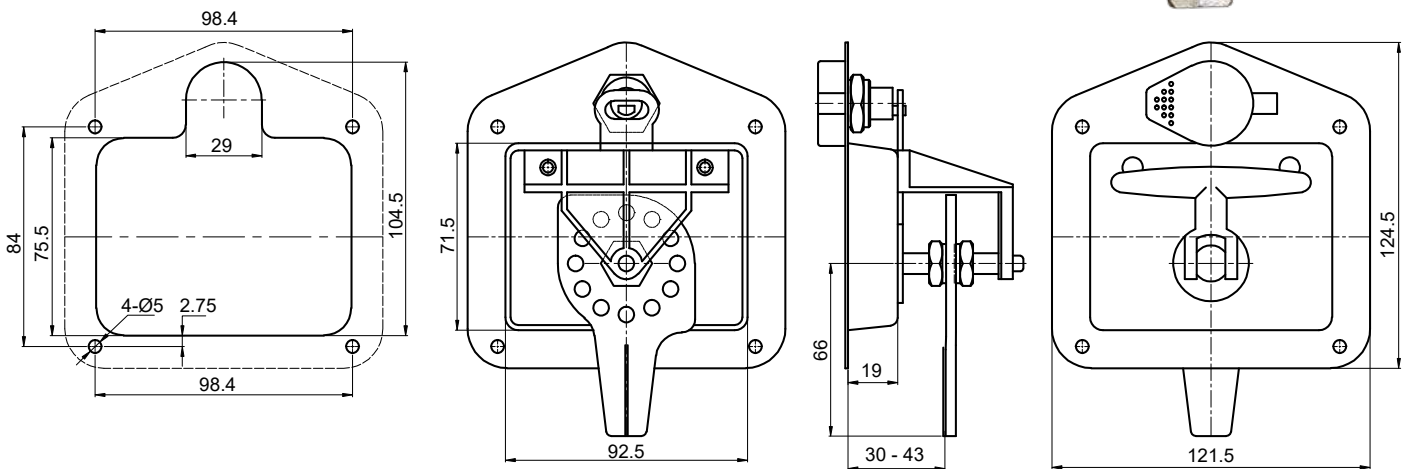
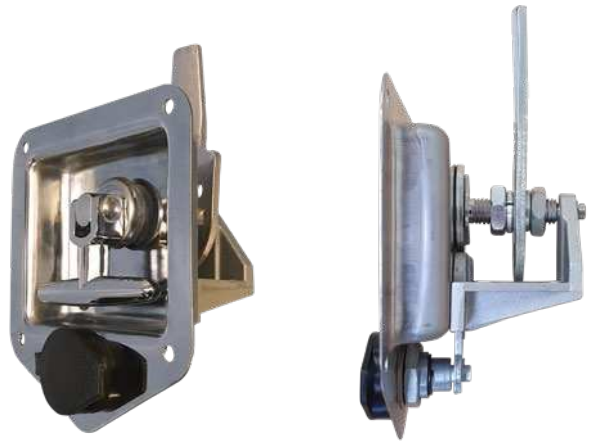
- Cam Height Adjustable: 30-43mm
- 124.5mm High
- 121.5mm Wide

MATERIAL & FINISH

- Zinc die cast Handle
- Cast aluminium bracket
- Stainless steel Dish
- Steel zinc cam & shaft

ACCESSORY OPTIONS:

- Locking rods and pins
- Rod Guides



Code	Cam	Key Number	Mounting Method
10502-CH510-SIG-B	Straight cam	CH510	M5 Holes

Fasteners available separately - contact us

FOLDING T HANDLES

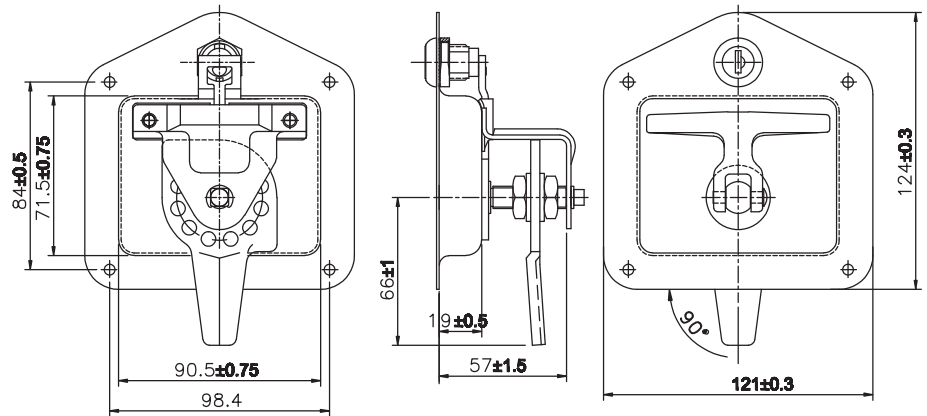
FOLDING T HANDLES

ECONOMY SERIES

STAINLESS STEEL

FEATURES:

- Stainless steel dish (mirror-like finish)
- Economy range
- Heavy duty construction
- IP65 rated
- Suitable for 1 or 3 point locking



DIMENSIONS:

- 110mm Height
- 130mm width

MATERIAL & FINISH

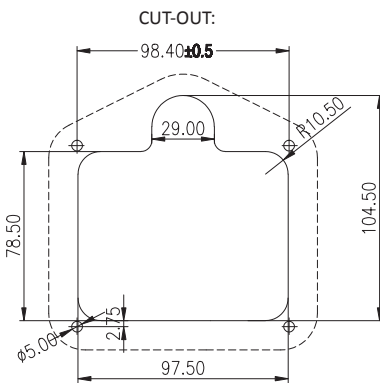
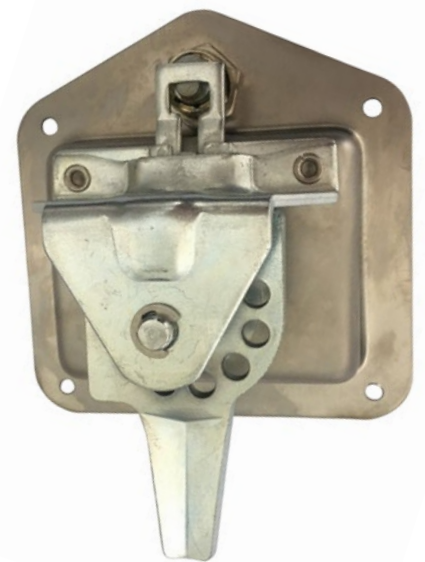
- Zinc die cast Handle
- Zinc die cast Bracket
- Stainless steel Dish
- Mild steel, zinc plated Cam & Shaft

ACCESSORY OPTIONS:

- Locking rods and pins
- Rod Guides



Hole Mounting



Stud Mounting

Code	Key Number	Mounting Method
10502-CH5##	CH5##	Holes
10502-CH5##-S	CH5##	M5 studs

Fasteners available separately - contact us

FOLDING T HANDLES

ECONOMY SERIES

NON-LOCKING

STAINLESS STEEL

FEATURES:

- Stainless steel dish (mirror-like finish)
- Economy range non locking
- Heavy duty construction
- IP65 rated
- Suitable for 1 or 3 point locking

DIMENSIONS:

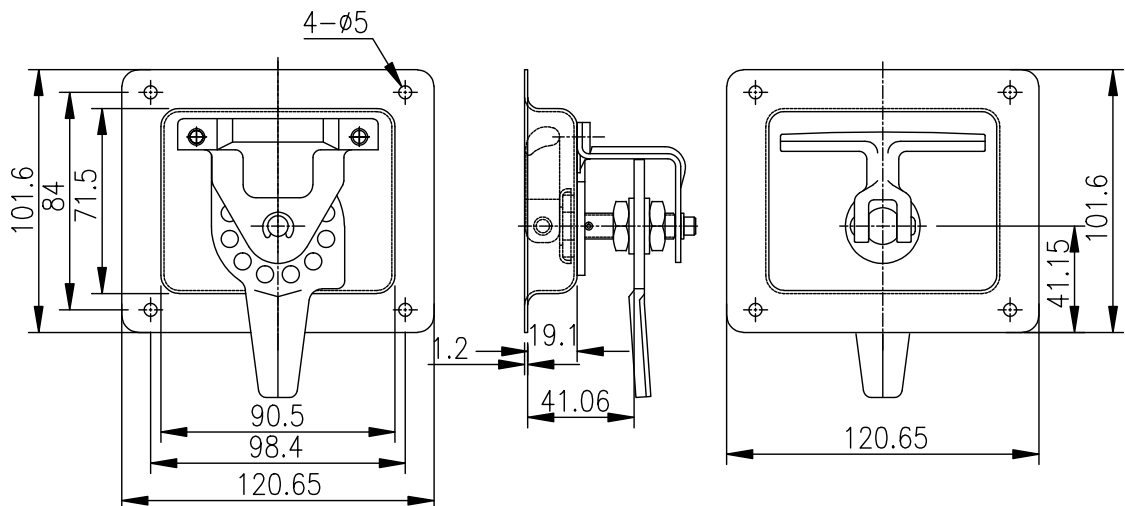
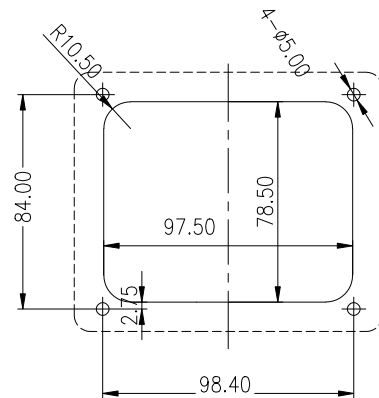
- 110mm Height
- 130mm width

MATERIAL & FINISH

- Zinc die cast Handle
- Zinc die cast Bracket
- Stainless steel Dish
- Mild steel, zinc plated Cam & Shaft

ACCESSORY OPTIONS:

- Locking rods and pins
- Rod Guides



Code	Key Number	Mounting Method
10502	Non-Locking	Holes

Fasteners available separately - contact us

FOLDING T HANDLES

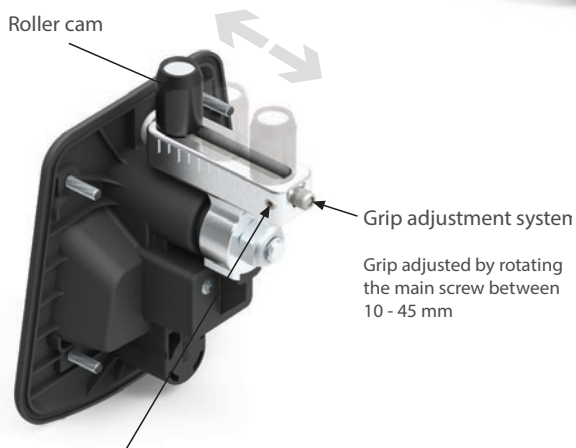
MINI HEAVY DUTY POLYAMIDE

FEATURES:

- Very strong construction
- Adjustable grip roller cam
- Key locking and padlockable
- Very small cut-out

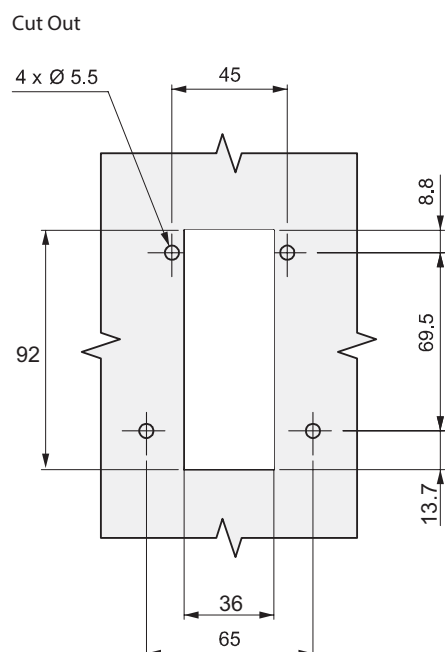
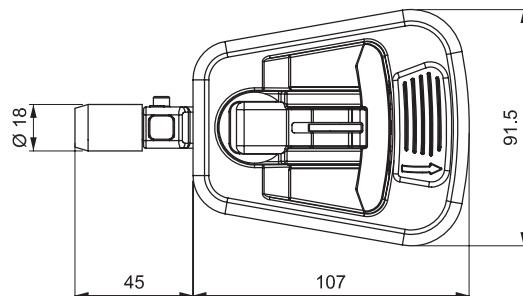
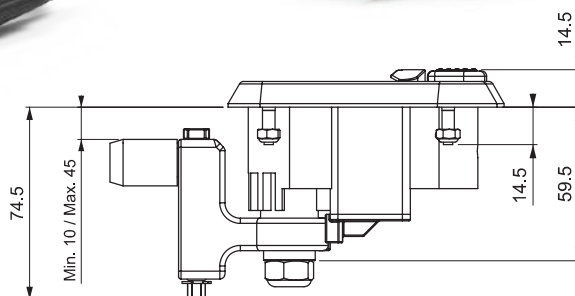
MATERIAL & FINISH

- Black polyamide dish
- Zinc Alloy handle
- Zinc cam with polyamide roller



Grip adjusted by rotating the main screw between 10 - 45 mm

Set screw
To adjust the grip, first loosen the set screw. Then screw again for fixing



Code	Key Number	Mounting Method
M-114-4-12-07-0	CH751	Holes
M-114-4-12-07-1	CH751	M5 studs

FOLDING T HANDLES

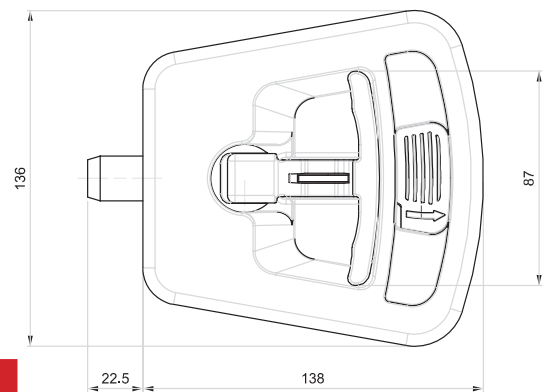
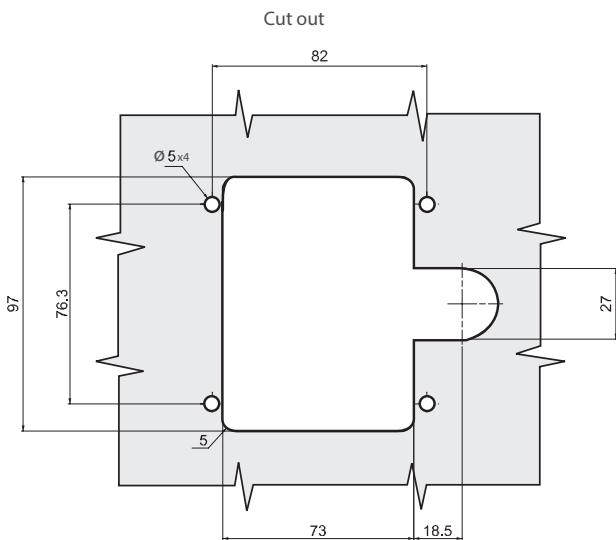
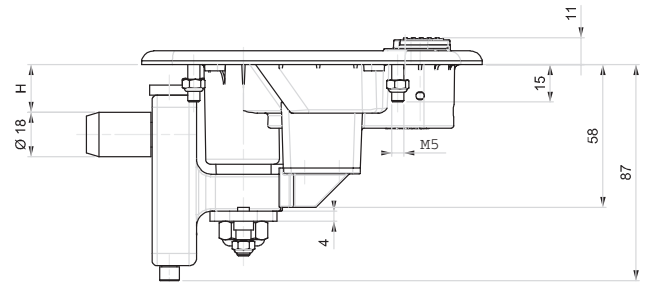
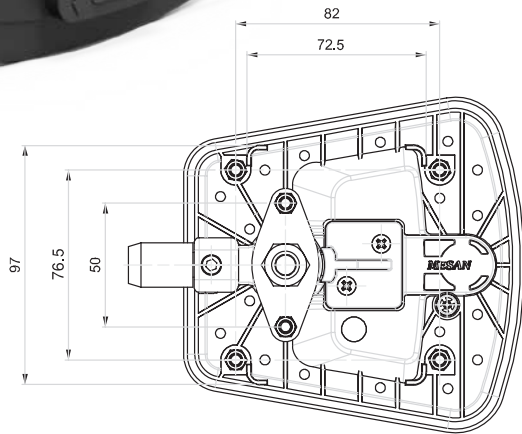
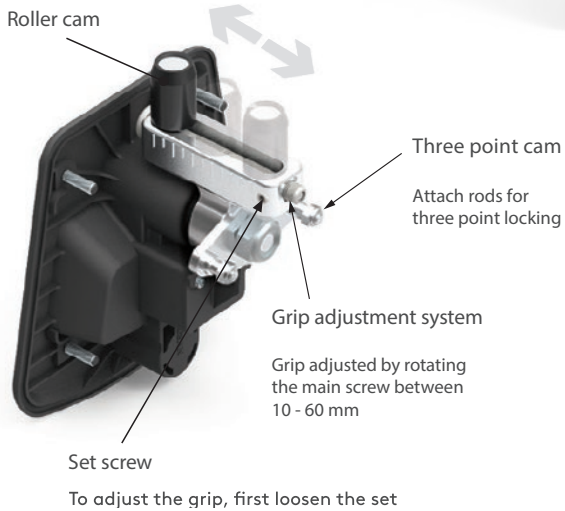
LARGE HEAVY DUTY POLYAMIDE

FEATURES:

- Very strong construction
- Adjustable grip roller cam
- Three point locking cam for rods
- Key locking and padlockable
- Very small cut-out

MATERIAL & FINISH

- Black polyamide dish
- Zinc Alloy handle
- Zinc cam with polyamide roller



Code	Key Number	Mounting Method
M-014-4-12-07-0	CH751	Holes
M-014-4-12-07-1	CH751	M5 studs

FOLDING T HANDLES

FOLDING T HANDLES

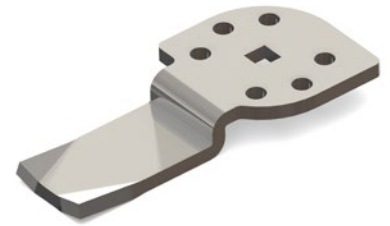
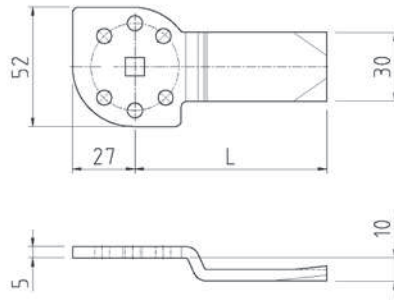
CAM ACCESSORIES FOR MIDNIGHT AND COMFORT SERIES

FEATURES:

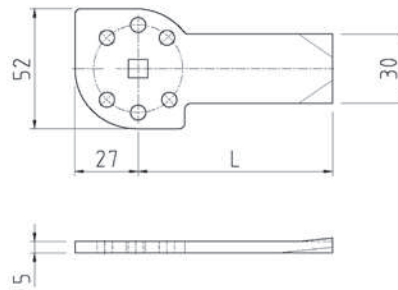
- Suit Midnight series and comfort series Folding T Handles
- Used to change cam grip

MATERIAL & FINISH

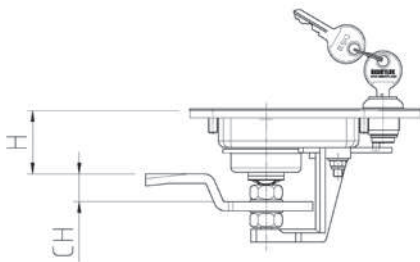
- 5mm Zinc coated mild steel



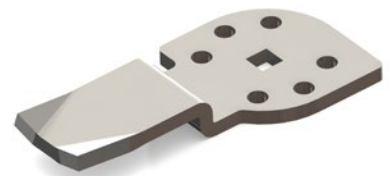
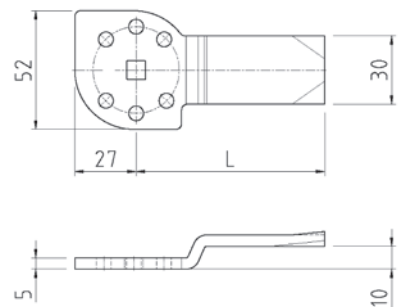
Code	Dimension "L"	Application
P3251-06-5	58mm	Comfort Series T handle
P3251-06-10	83mm	Midnight Series T handle



Code	Dimension "L"	Application
P3251-06-4	66mm	Comfort Series T handle
P3251-06-13	83mm	Midnight Series T handle



Showing cam assembled in stainless steel dish folding T handle



Code	Dimension "L"	Application
P3251-06-6	58mm	Comfort Series T handle
P3251-06-12	83mm	Midnight Series T handle



Showing 10502-PIN Pins & R-clips securing eyelet locking rods to a Folding T Handle



10502-PIN

Code	Description
10502-PIN	Pin & R-clip to secure eyelet rods to cams etc

FOLDING T HANDLES

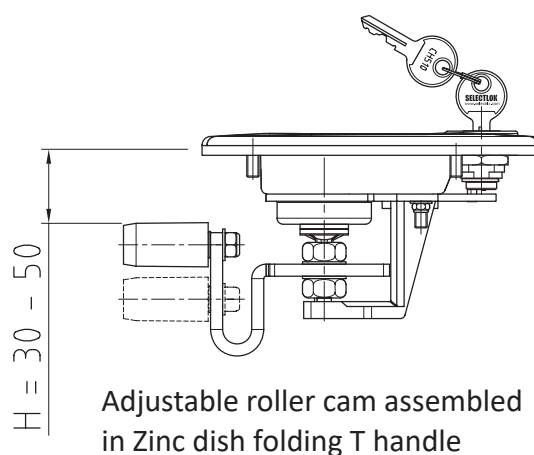
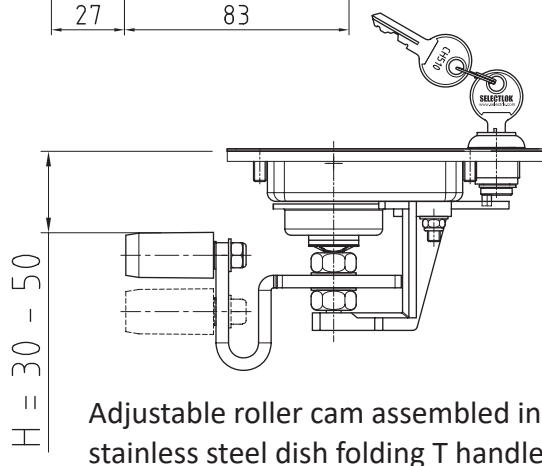
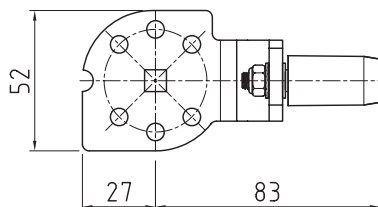
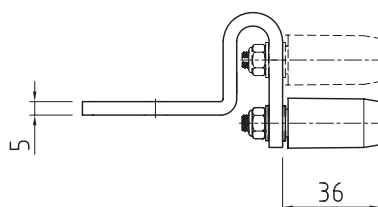
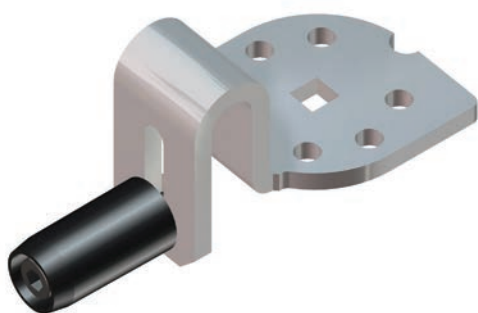
CAM ACCESSORIES FOR MIDNIGHT AND COMFORT SERIES

FEATURES:

- Suit Midnight series and comfort series Folding T Handles
- Smoother operation - seal compression
- Adjustable cam grip

MATERIAL & FINISH

- 5mm Zinc coated mild steel
- Black polyamide Roller



Code	Description
P3251-06-14	Adjustable roller cam



10502-PIN

Code	Description
10502-PIN	Pin & R-clip to secure eyelet rods to cams etc



Showing **10502-PIN** Pins & R-clips securing eyelet locking rods to a Folding T Handle

Note: Specifications can change from time to time without notice. Cut-outs & construction should only be done with the products onsite.

FOLDING T HANDLES

DUST CAP ACCESSORIES

FOR MIDNIGHT AND COMFORT SERIES

FEATURES:

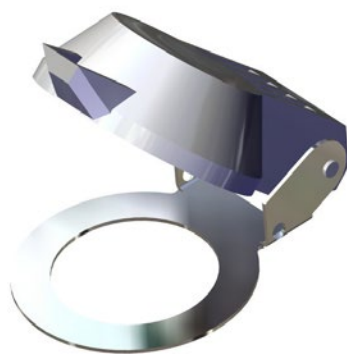
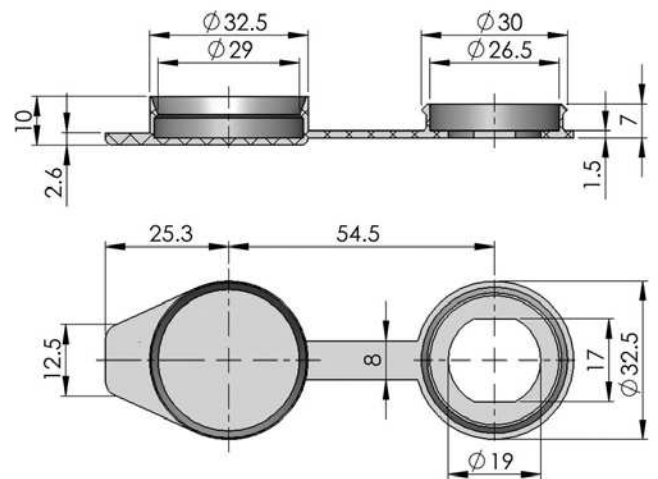
- Suits Midnight series and comfort series Folding T Handles with CH5## Key numbers (not SK## key numbers)
- Protect lock against dust / water ingress

MATERIAL & FINISH

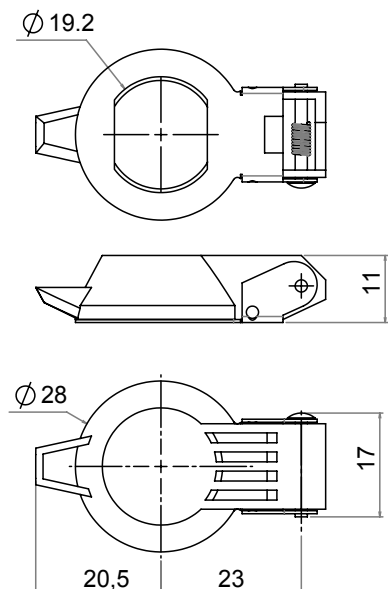
- Black polyamide



WP003



10502-CAP



Code	Diameter (mm)	Finish
WP003	32.5	Black PA
10502-CAP	28	Zinc die cast