

06 FLUSH LATCHES & LOCKS

Pages

316SS Locking & Non-Locking Pull Ring Slam Cam Latches	2
Plastic Non-Locking Pull Ring Slam Cam Latches	3
316SS Non-Locking Pull Ring Adjustable Cam Latch	3
Flush Locks For Cabinets & Locker Doors	4 - 6
Locking & Non-Locking Finger Slide Latches	6 - 7
Non-Locking Push Knob Slam Latches	8
Small Non-Locking Paddle Slam Cam Latches	9
Small Locking Paddle Slam Cam Latches	10 - 11
Large Locking Paddle Slam Cam Latches	12 - 14
Large Two Point Locking Paddle Latch	15
Large Locking Paddle Rotary (Burst) Latch	16
Large Locking Paddle Slam Cam Latch	17
Internal Release Paddle Latch With Deadbolt	18

06 FLUSH LATCHES & LOCKS



FLUSH LATCHES & LOCKS

PULL RING SLAM CAM LATCHES

LOCKING & NON LOCKING

316 STAINLESS STEEL

- Flush slam latch often used for deck hatches
- Smooth rounded finish - easy on bare feet
- Locking or Non-Locking
- 316 Stainless steel
- Internal release slide knob



Internal release slide knob



Internal release slide knob

Code	Type	Front Face	Overall Height	Min Panel Thick (mm)	Max Panel Thick (mm)	Cam H-Dimension	Mounting Type
DX316-M1	Locking	61Dia x 3H	38	12	20	25	4x M5
DX316-M1-NL	Non-Locking	61Dia x 3H	38	12	20	25	4x M5

Note: Specifications can change from time to time without notice.
Cut-outs & construction should only be done with the products onsite.

FLUSH LATCHES & LOCKS

PULL RING SLAM CAM LATCHES

NON LOCKING

PLASTIC

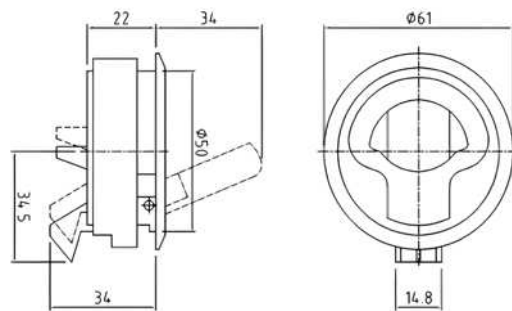
- Non locking slam latch
- ABS & Nylon



94009



94009-2



Internal release lever

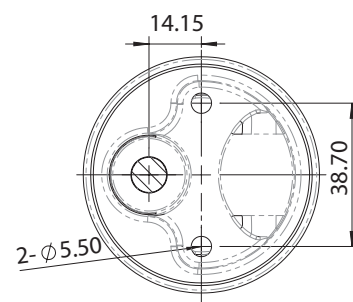
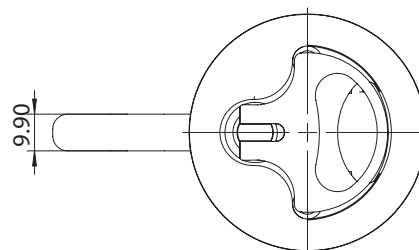
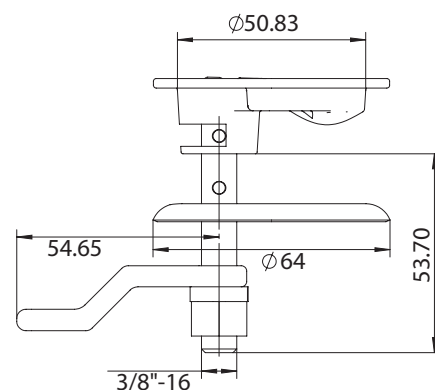
Code	Front Face	Min Panel Thick (mm)	Max Panel Thick (mm)	Cam H-Dimension
94009	61Dia x 3H	0	12	24
94009-2	61Dia x 3H	12	17	24

PULL RING ADJUSTABLE CAM LATCH

NON LOCKING

316 STAINLESS STEEL

- 316 Stainless steel flush latch often used for deck hatches
- Smooth rounded finish - easy on bare feet
- Non-Locking, 90° cam rotation
- Suits wide range of panel thicknesses (6mm - 50mm)
- Adjustable cam height to suit H-Dimensions of 22mm - 68mm
- Requires M4 Counter sunk screws - length to suit application



Code	Front Face	Min Panel Thick (mm)	Max Panel Thick (mm)	Cam H-Dimension
DX316-M1-CAM	64Dia x 3H	6	50	22-68

FLUSH LATCHES & LOCKS

CABINET LATCH

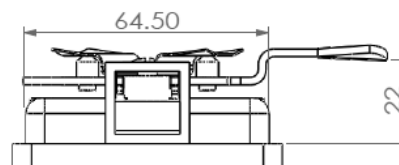
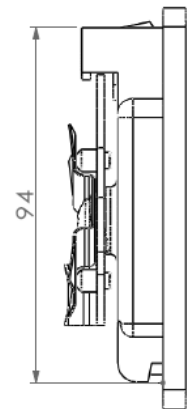
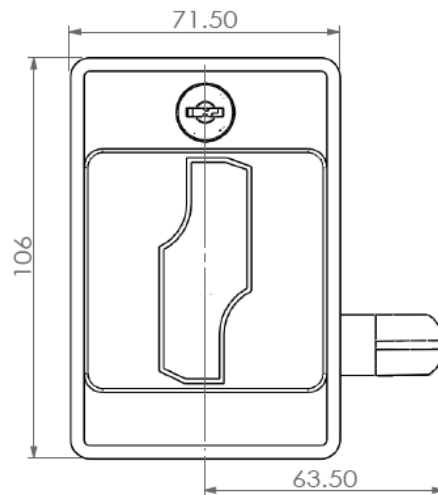
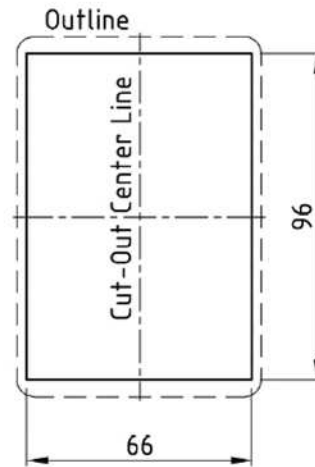
LOCKING

STEEL

- Easy assembly
- Keyed alike
- Economically priced
- 106H x 71.5W
- Zinc die cast black powder coated dish
- Steel zinc plated cam



CUT-OUT

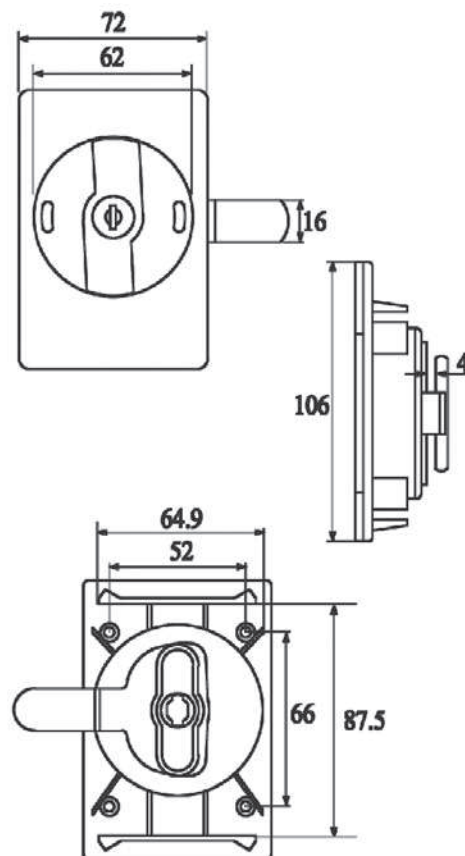
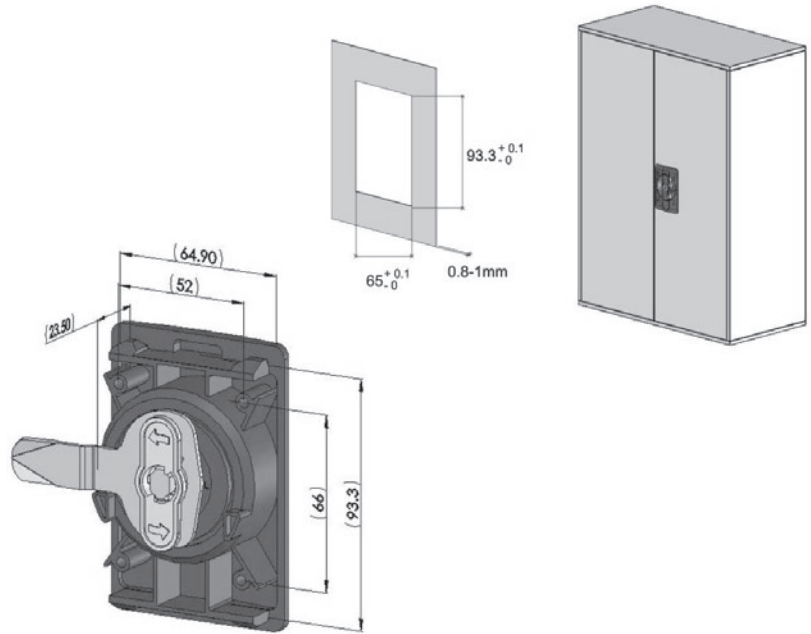


Code	Cam H-Dimension	Handedness
ALFL04	22mm	LH
ALFR04	22mm	RH

FLUSH LATCHES & LOCKS

CABINET LATCH LOCKING PLASTIC

- Easy assembly
- Keyed alike
- Economically priced
- 106H x 72W
- Plastic dish
- Steel zinc plated cam
- Rods can be attached for 3 point locking

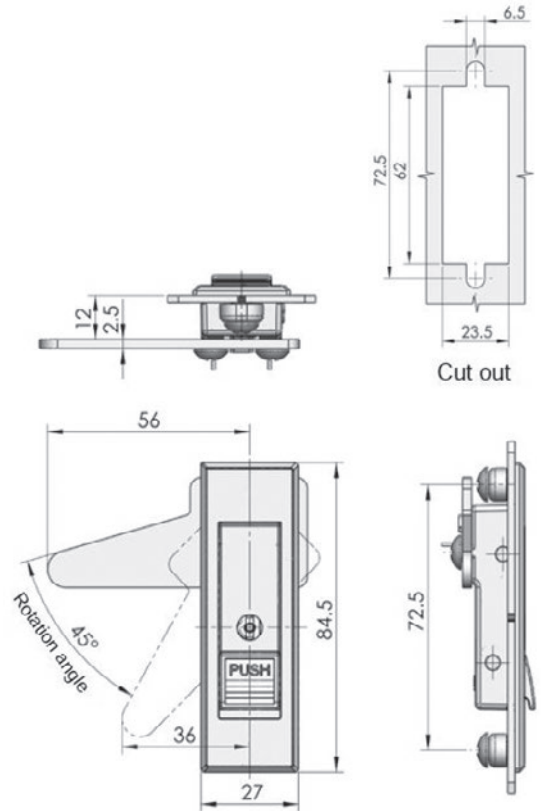


Code	Description	H-Dimension (Grip)	Key Number
LM0547.23.B.00.ZZ	Plastic flush lock	23	Keyed to differ
LM0547.23.B.00.ZZ-01	Plastic flush lock	23	0001 (Keyed alike)

FLUSH LATCHES & LOCKS

CABINET LATCH LOCKING & NON LOCKING STEEL

- Compact push button cabinet latch
- Reversible cam for left or right hand applications
- Spring loaded handle
- Economical price

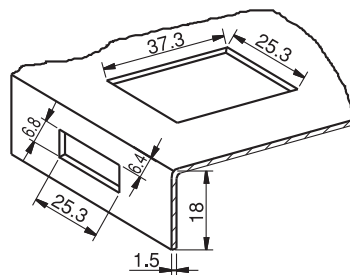


Code	Description	Material / Finish
MS720-2	Push button latch with insert lock	Zinc / Silver
MS720-1	Push button latch non locking	Zinc / Silver

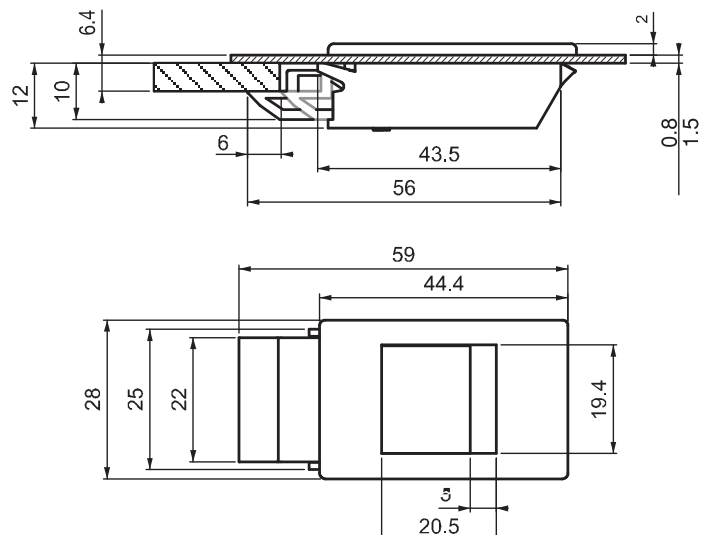
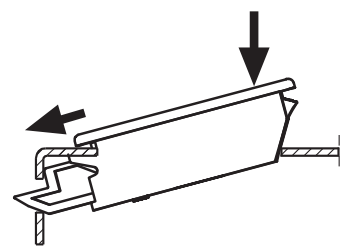
SLIDE SLAM LATCH NON LOCKING PLASTIC

- Suits 0.8mm to 2.3mm door thickness
- 6mm cam stroke
- Polyamide

Cut out:



Follow the arrows for assembly

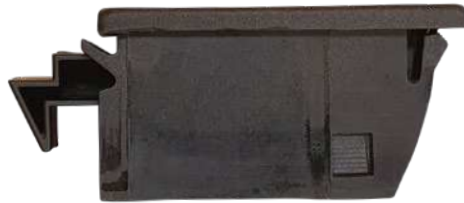
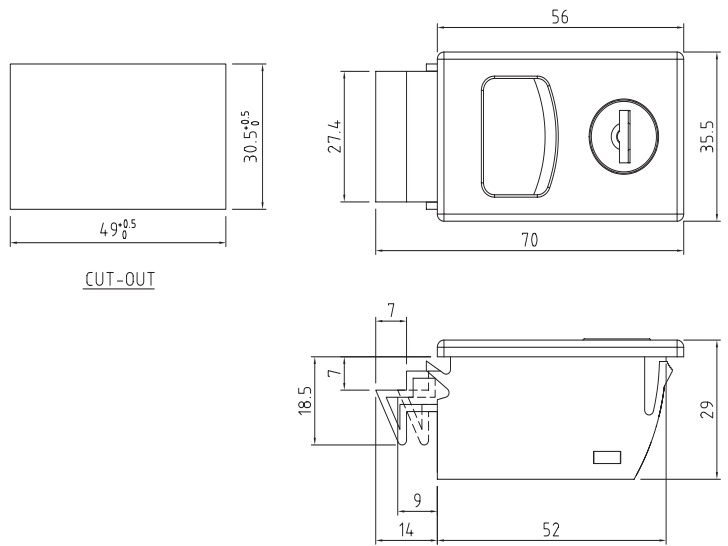


Code	Colour
M-271	Black - Black

FLUSH LATCHES & LOCKS

SLIDE SLAM LATCH NON-LOCKING & LOCKING PLASTIC

- Slide slam latches
- Suit 0.8mm to 2.3mm door panel thickness
- 6mm cam stroke
- Polyamide



PI5303-02
Non-locking



PI5259-02-0#
Non-locking

Code	Description	Key Code	Colour
PI5303-02	Non-locking slide latch	NA	Black - Black
PI5259-02-01	Key locking slide latch	CL001	Black - Black
PI5259-02-02	Key locking slide latch	92268	Black - Black

FLUSH LATCHES & LOCKS

PUSH KNOB SLAM LATCHES

NON-LOCKING

PLASTIC

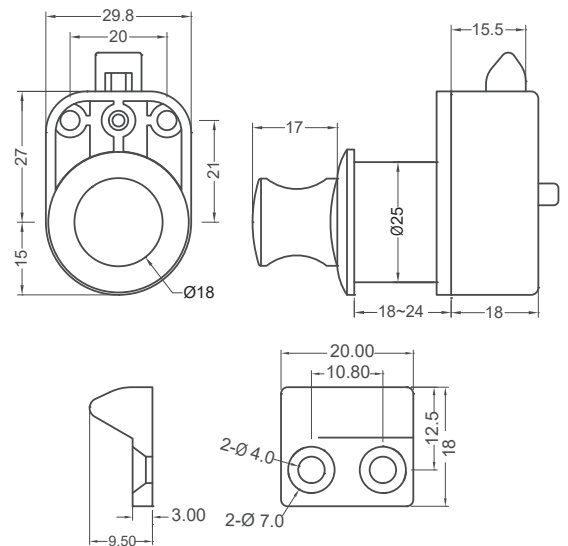
- Caravan / Motorhome / Boat push locks
- Slam Snibs to suit cupboards and drawers
- Plastic
- Polished nickel (chrome), Matt nickel finish



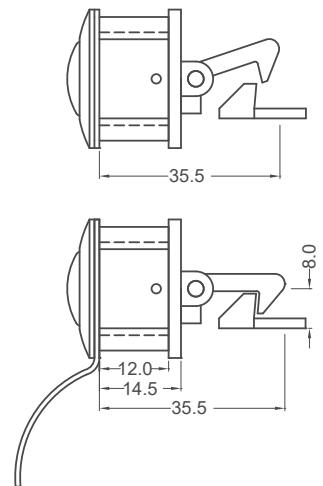
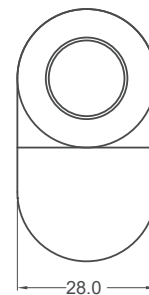
MN5100
N5100



MN5100-SQ
N5100-SQ



MN5100-15-V
N5100-15-V



Code	Description	Material / Finish	Door Cut-Out (mm)
MN5100Z	Round push knob slam latch	Plastic / Matt Nickel	26Dia x 18-24 Thick
N5100Z	Round push knob slam latch	Plastic / Nickel (Shiny)	26Dia x 18-24 Thick
MN5100Z-SQ	Square push knob slam latch	Plastic / Matt Nickel	26Dia x 18-24 Thick
N5100Z-SQ	Square push knob slam latch	Plastic / Nickel (Shiny)	26Dia x 18-24 Thick
MN5100Z-15-V	Round push knob slam latch with hook	Plastic / Matt Nickel	(Contact us) x 13-18
N5100Z-15-V	Round push knob slam latch with hook	Plastic / Nickel (Shiny)	(Contact us) x 13-18

Note: Specifications can change from time to time without notice.
Cut-outs & construction should only be done with the products onsite.

SELECTLOK
NEW ZEALAND LTD

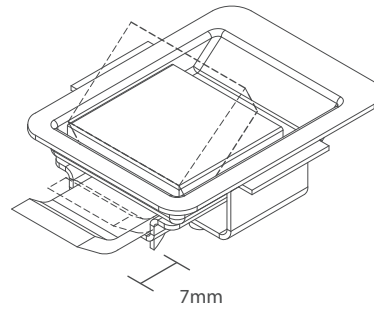
FLUSH LATCHES & LOCKS

MINI PADDLE SLAM LATCH

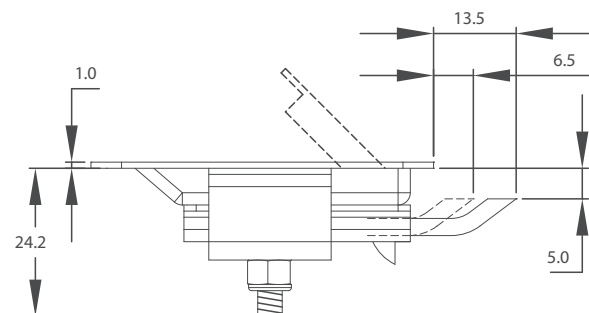
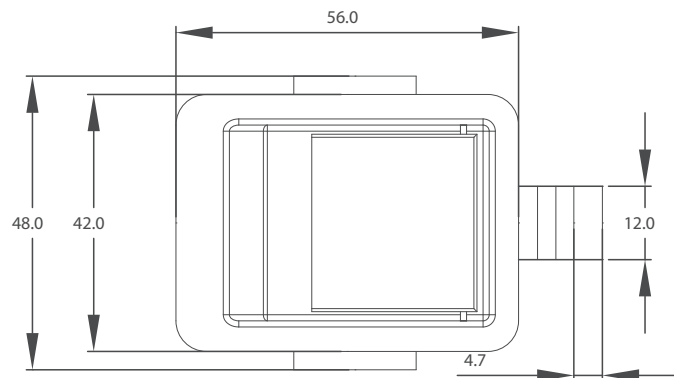
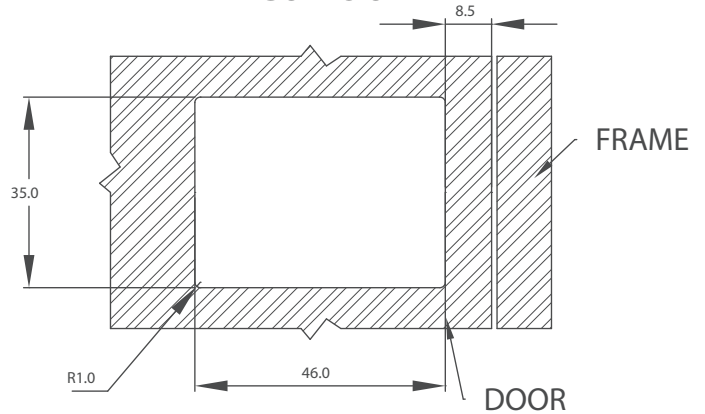
NON LOCKING

STAINLESS STEEL

- Slam shut operation
- Compact finger release paddle latch
- 304 Stainless Steel
- Lightweight doors / drawers



CUT-OUT

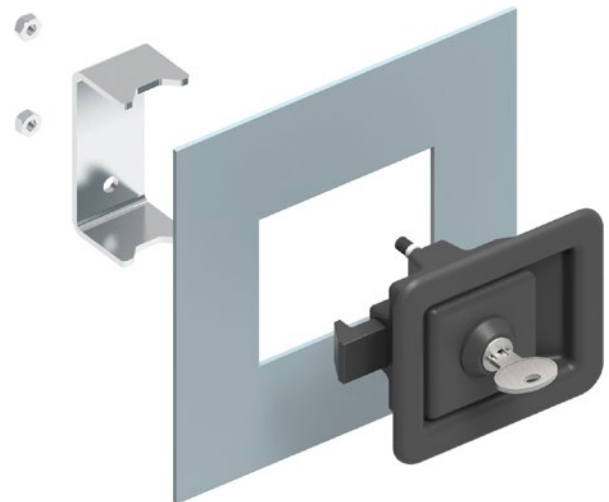
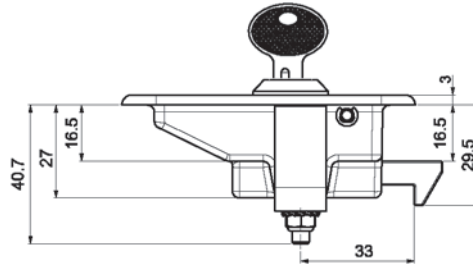
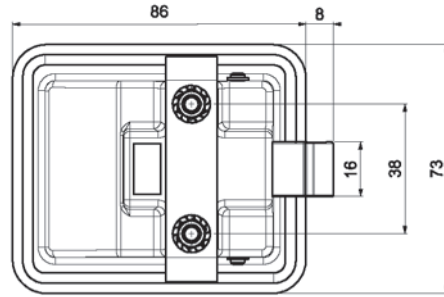


Code	Key Number	Material
MS866-8	Non-locking	Stainless steel

FLUSH LATCHES & LOCKS

SMALL PADDLE SLAM LATCH LOCKING PLASTIC

- Slam shut operation
- Polyamide dish
- Zinc handle
- Delrin® cam
- Steel mounting bracket
- Generators / compressors, electric panels, machinery covers



Code	Key Number
M-116-01	Keyed alike
M-116-00	Non-locking

- Special order product

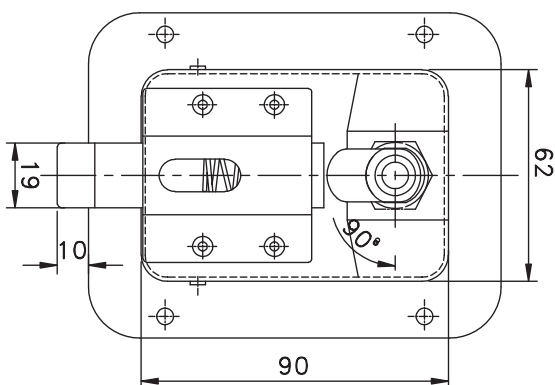
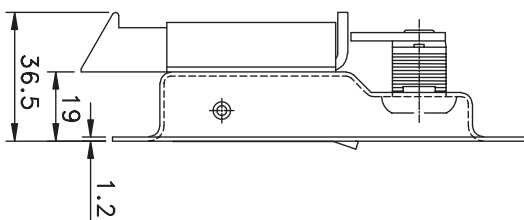
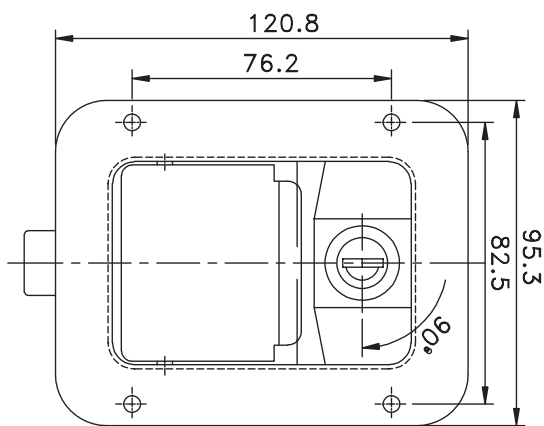
FLUSH LATCHES & LOCKS

SMALL PADDLE SLAM LATCH

LOCKING

STAINLESS STEEL

- Slam shut operation
- 304 Stainless steel dish and handle
- Zinc die cast cam
- Generators / compressors, electric panels, machinery covers



Code	Key Number
10402-CH510	CH510

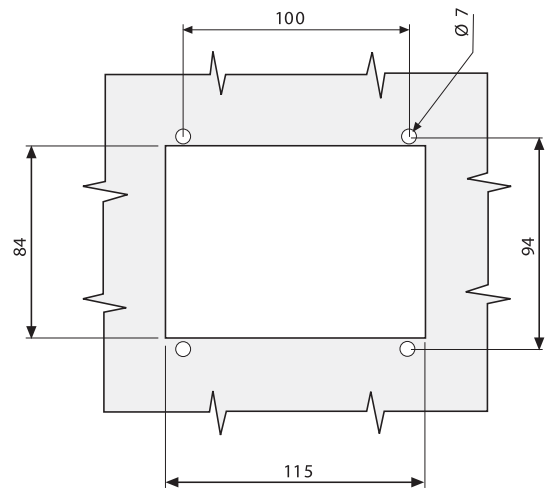
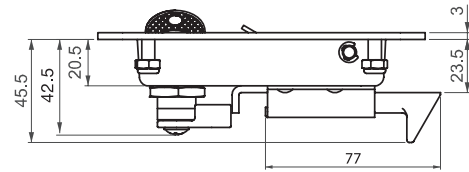
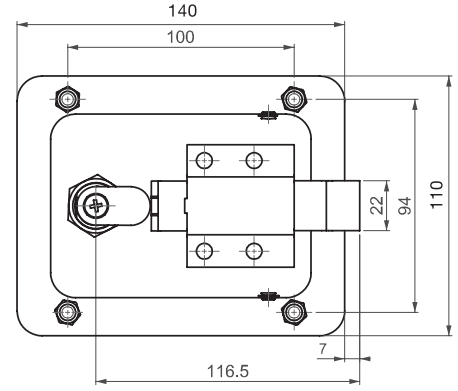
FLUSH LATCHES & LOCKS

LARGE PADDLE SLAM LATCH

LOCKING

STEEL

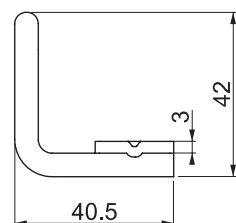
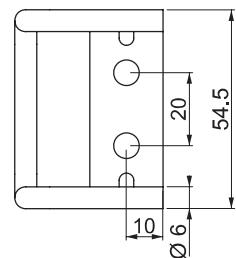
- Slam shut operation
- Regular cam
- Strike hook accessory available
- Lock can be opened from inside by moving cam
- Black powder coated steel dish and handle
- Zinc die cast cam
- Generators / compressors, electric panels, machinery covers



Cut-out



M-016-A71



Code	Material	Description
M-016-6-2-03-2	Zinc alloy	Paddle handle
M-016-A71	Zinc plated steel	Strike hook

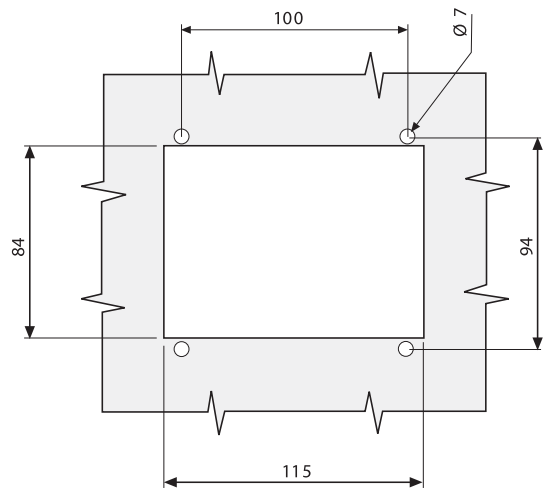
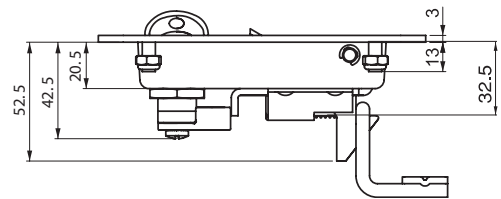
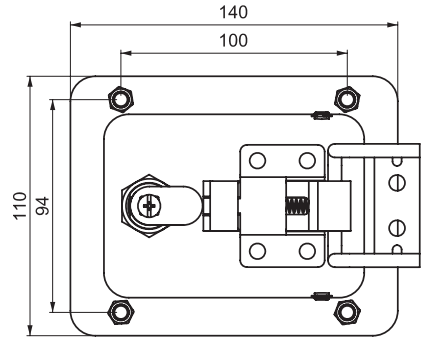
FLUSH LATCHES & LOCKS

LARGE PADDLE SLAM LATCH

LOCKING

STAINLESS STEEL

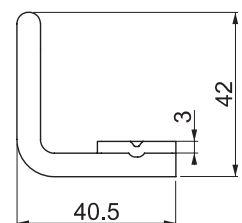
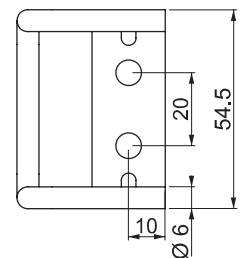
- Slam shut operation
- Short cam - strike hook accessory required
- Lock can be opened from inside by moving cam
- 304 Stainless steel
- Brass cam
- Generators / compressors, electric panels, machinery covers



Cut-out



M-016-A71



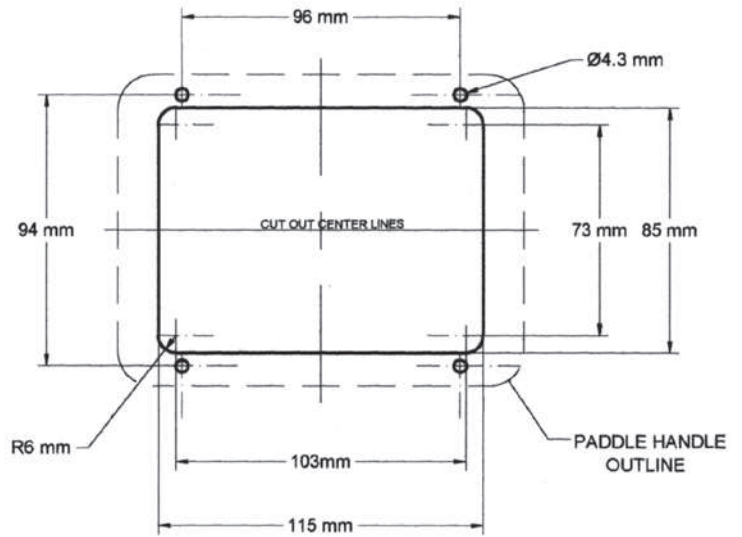
Code	Material	Description
M-016-4-0-03-1	316 S/Steel	Paddle handle
M-016-A740	316 S/Steel	Strike hook

FLUSH LATCHES & LOCKS

LARGE PADDLE HANDLE - SLAM LOCKING

STAINLESS STEEL

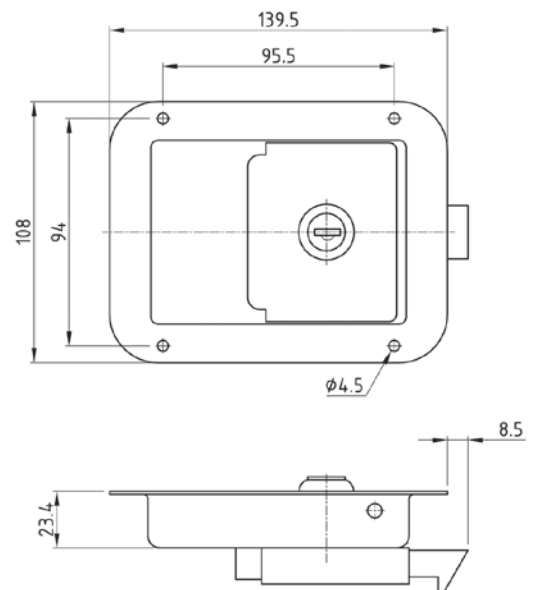
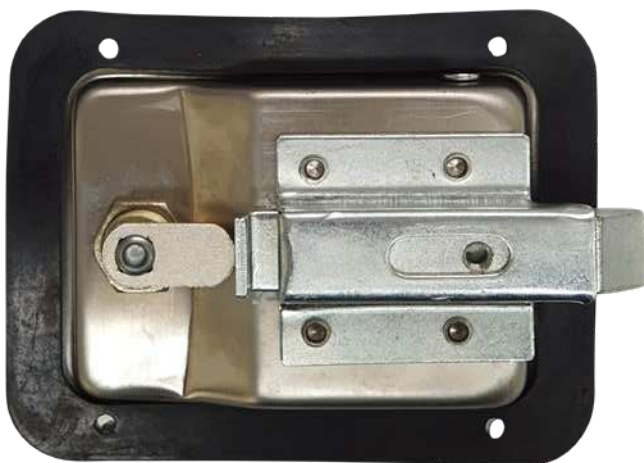
- Paddle handle with slam snib
- 108mm High x 139.5mm Wide
- 304 Stainless steel dish handle & dish
- Zinc die cast cam
- Generators / compressors, electric panels, machinery covers
- We can supply folding T-handles, compression latches and cam locks with the same key number



10409-CH5##



10409-CH5##-INT



Code	Description	Key Number
10409-CH5##	Single point slam cam	CH5##
10409-CH5##-INT	Single point slam cam Internal Release Knob	CH5##

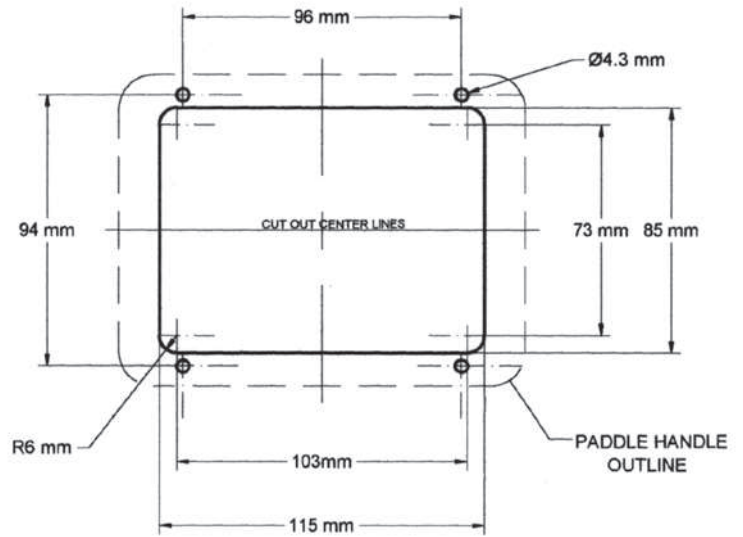
FLUSH LATCHES & LOCKS

LARGE PADDLE HANDLE - TWO POINT LATCHING

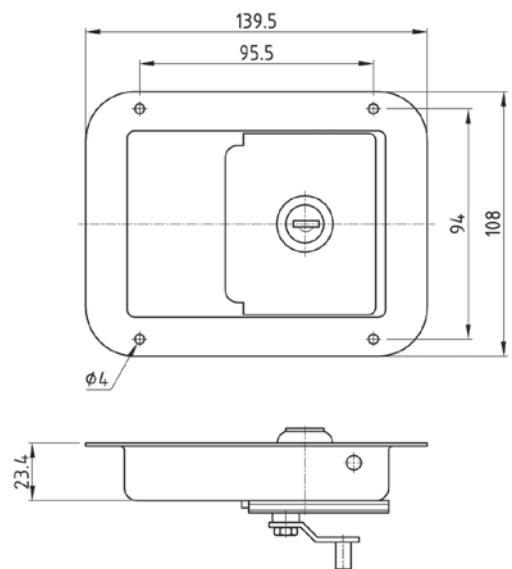
LOCKING

STAINLESS STEEL

- Paddle handle with two point rod control
- 108mm High x 139.5mm Wide
- 304 Stainless steel dish handle & dish
- Steel control arms
- Generators / compressors, electric panels, machinery covers
- We can supply folding T-handles, compression latches and cam locks with the same key number



10411-CH5##



Code	Description	Key Number
10411-CH5##	2-Point Rod Control	CH5##

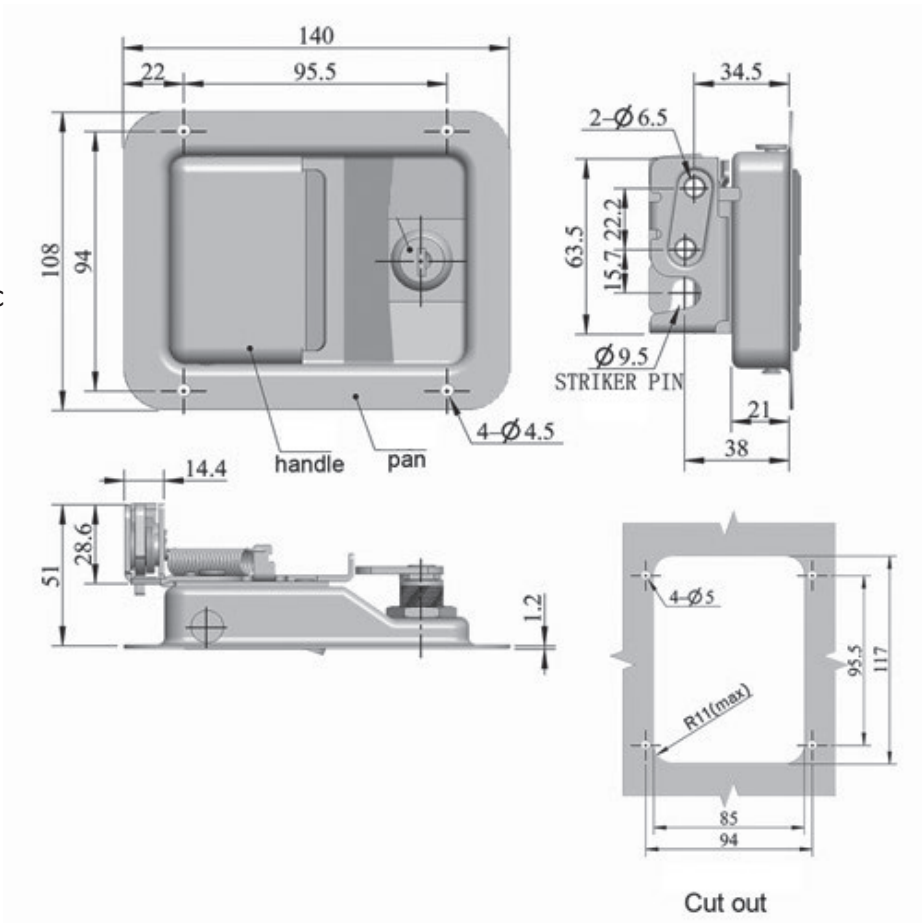
FLUSH LATCHES & LOCKS

LARGE PADDLE ROTARY LATCH

LOCKING

STAINLESS STEEL

- Slam shut operation
- Two stage rotary latch
- 304 Stainless steel dish
- Zinc alloy rotary latch
- Generators / compressors, electric panels, machinery covers



Code	Material	Description
10409-50611	304 S/Steel	Paddle handle rotary latch

FLUSH PANEL LOCKS

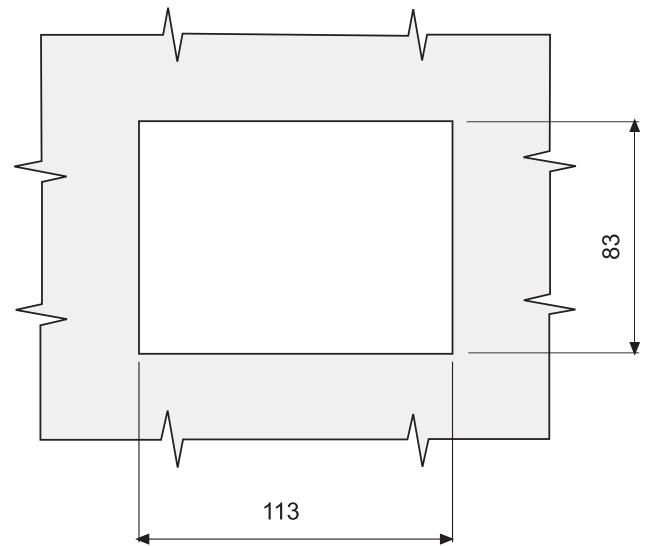
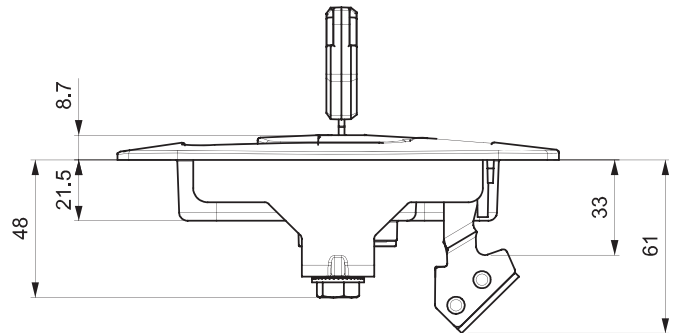
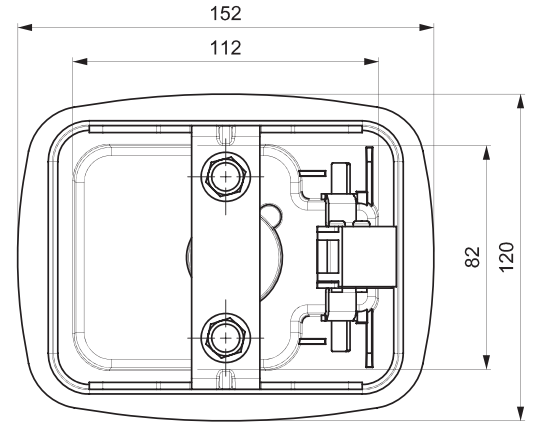
FLUSH LATCHES & LOCKS

LARGE PADDLE SLAM LATCH

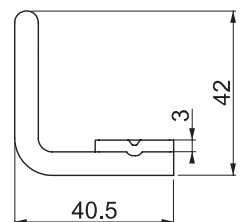
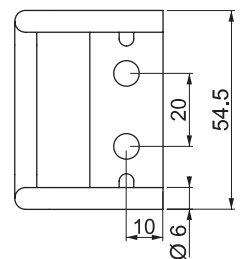
LOCKING

PLASTIC

- Slam shut operation
- Plastic cam
- Strike hook accessory required
- Lock can be opened from inside by pressing cam
- Polyamide
- Generators / compressors, electric panels, machinery covers



M-016-A71

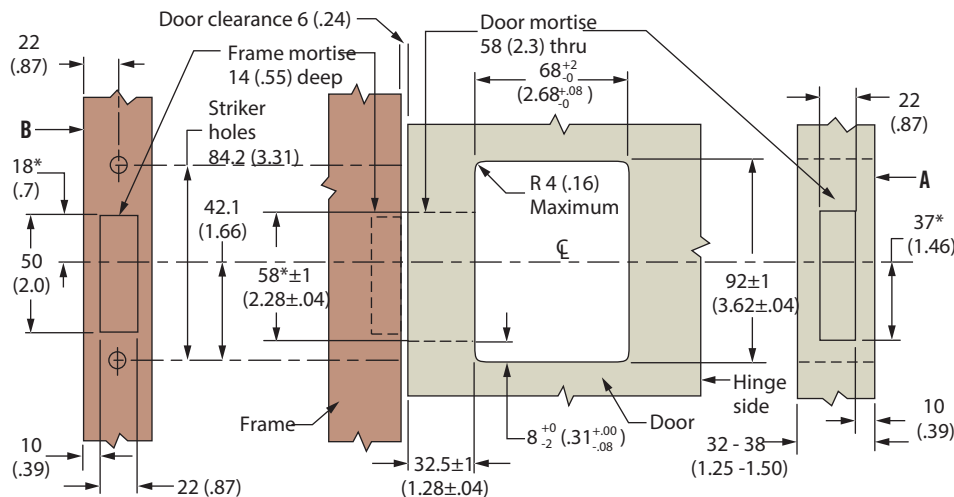
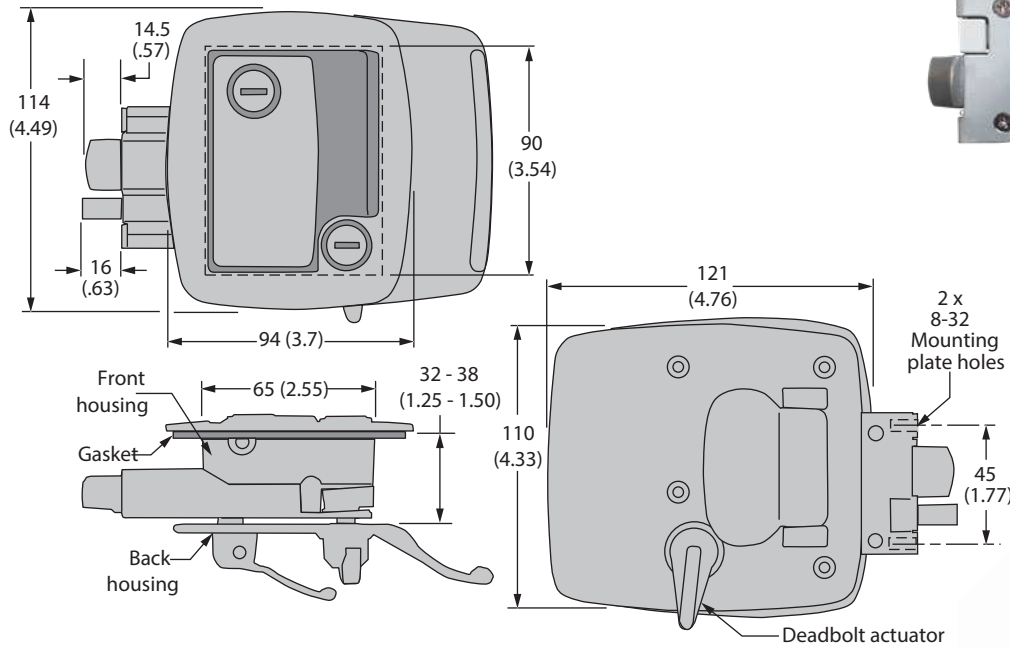


Code	Material	Description
M-316-2-0-03-01	Polyamide	Paddle handle
M-016-A71	Zinc plated steel	Strike hook

FLUSH LATCHES & LOCKS

LARGE PADDLE LATCH - RV ENTRANCE DOORS SLAM LOCK AND DEAD LOCK ZINC

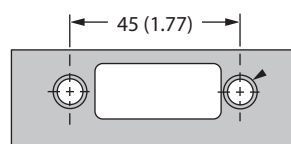
- Slam shut operation plus dead lock
- Motorhomes, caravans, horsefloats, food trailers
- One key cylinder locks the pull handle, while a separate key cylinder locks the dead bolt
- Internal release lever for dead bolt



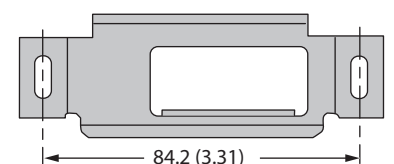
*For left hand mounting mirror the dimensions marked with * by moving them to the other side of the centerline.

Code	Material / Finish
S-R3-10-311-50	Zinc Black
S-R3-10-311-70	Zinc White

Door Mounting Plate



Striker Plate



Note: Specifications can change from time to time without notice. Cut-outs & construction should only be done with the products onsite.

SELECTLOK
NEW ZEALAND LTD