

05 SWING HANDLES

Pages

Overview Of Swing Handles	2
Eselon Series Economy Key Locking Swing Handles	3
Eselon Series Half Euro Profile Cylinder Swing Handles	4
Eselon Series Padlockable Swing Handles	5 - 7
Millenium Series Non-Locking Swing Handle	8
Millenium Series Economy Key Locking Swing Handles	9
Millenium Series Half Euro Profile Cylinder Swing Handles	10
Millenium Series Padlockable Swing Handles	11 - 12
A-Series Padlockable Swing Handles	13 - 14
Dirak Half Euro Profile Swing Handles	15 - 16
316 Stainless Steel Half Euro Profile + Padlockable Swing Handles	17
High Security Key Locking Spring Loaded Small Swing Handles	18
Mini Slim Plastic Swing Handle	19
Small Padlockable Swing Handles	20 - 21
Small Non-Locking Plastic Swing Handle	22
Recessed Mounting Dish For Swing Handles	23
Central Locking Kit For Swing Handles	24
40mm Half Euro Profile Cylinders	25

05 SWING HANDLES



SWING HANDLES

OVERVIEW

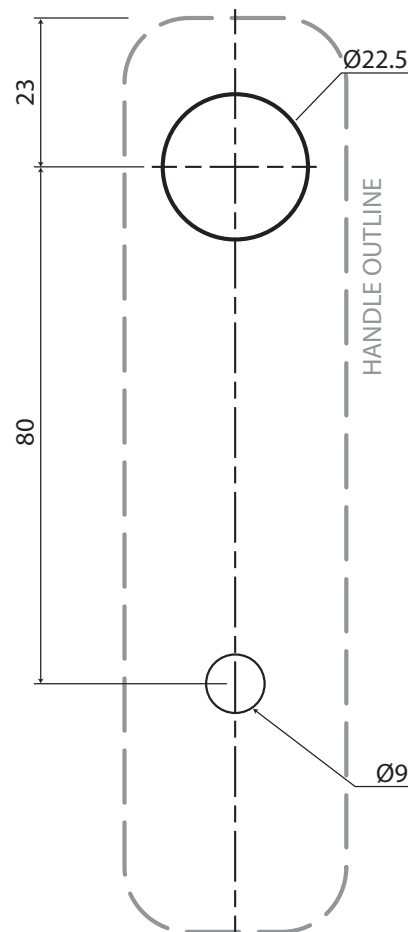
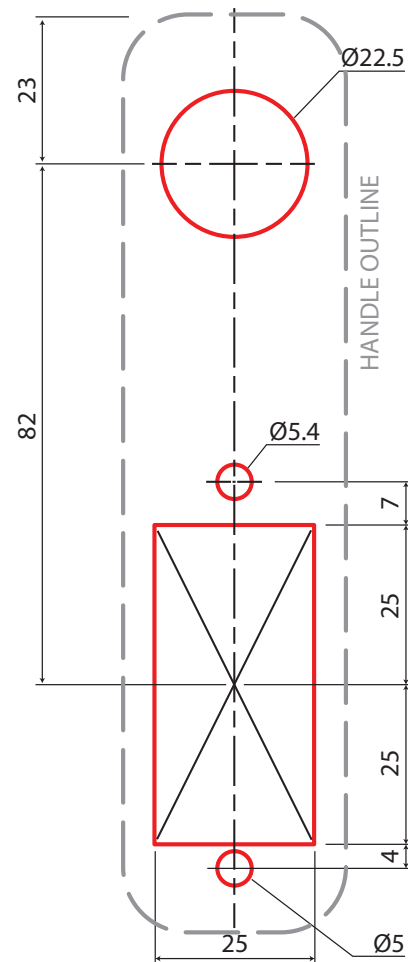
ONE CUT-OUT WITH MANY OPTIONS:

- Key Lockable
- Padlockable
- High Security
- IP65 rated for exterior use
- Vandal resistant construction
- High security
- Flush fitting
- Robust and easy to use
- Polyamide Black/Zinc Chrome/Zinc Black
- 316 Stainless Steel

In addition to the above, the below cut-out is used for the following handles:

- Non-Locking
- Padlockable

We also supply alternative swing handle options with different cut-outs which are detailed on the product pages.



SWING HANDLES

ESELON SERIES

ECONOMY BARREL

ZINC

FEATURES:

- Vandal resistant
- Park position with “click”
- Sleek, modern design
- IP65 rated
- Available in many key combinations
- 90° left & right stopper

SHAFT:

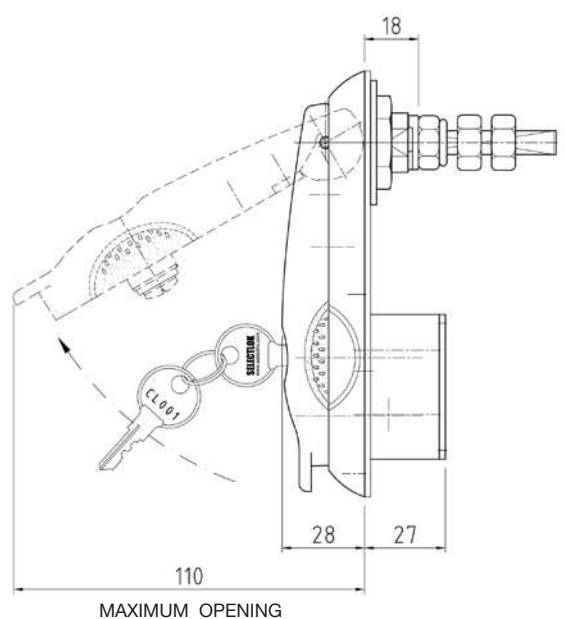
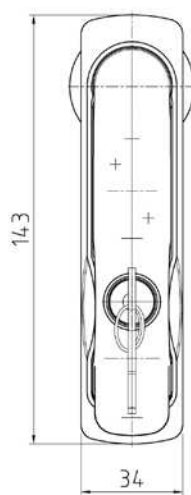
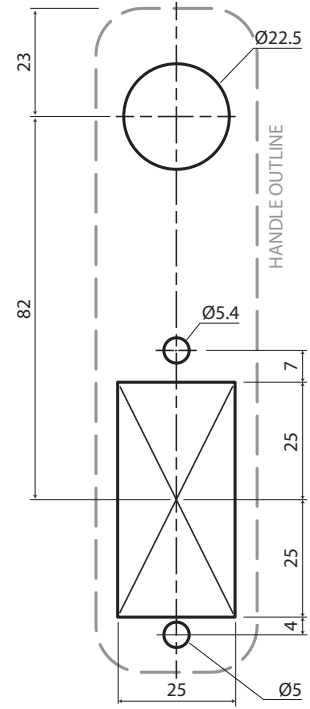
- 8mm square shaft, 60mm long

MATERIAL & FINISH

- Zinc die Handle & Base
- Zinc plated mild steel shaft

CAM ACCESSORY OPTIONS:

- 1000-1586 - Single point
- 1000-1587 - 3 point with adapters
- 1000-1588 - 3 point without adapters
- P2535 - Emergency internal handle



Code	Base Finish	Handle Finish
1107SBBU3N-##	Black EDP coated	Black EDP coated
1107SBCU3N-##	Black EDP Coated	Chrome plated
1107SCCU3N-##	Chrome Plated	Chrome plated

"-##"	Key Options
-01	CL001
-02	92268
-03	604
-07	CL003
-11	144
-20	FS880



Note: Specifications can change from time to time without notice.
Cut-outs & construction should only be done with the products onsite.

SELECTLOK
NEW ZEALAND LTD

SWING HANDLES

ESELON SERIES

HALF EURO PROFILE CYLINDER

ZINC

FEATURES:

- Higher security key options available
- Vandal resistant
- Park position with “click”
- Sleek, modern design
- Suits 40mm half euro profile cylinders
- IP65 rated
- 90° left & right stopper

SHAFT:

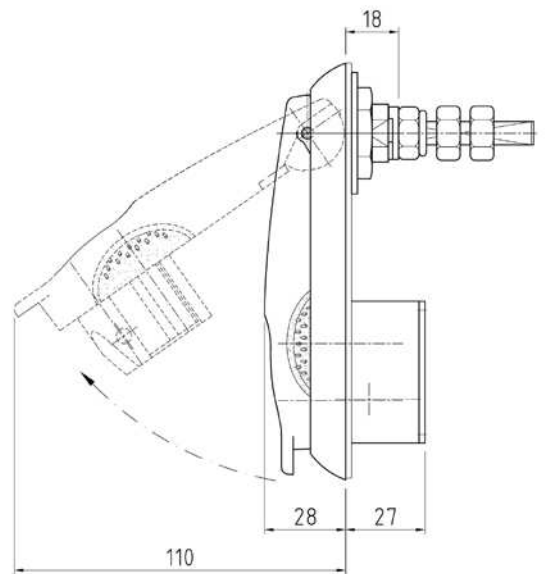
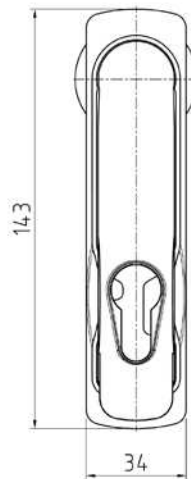
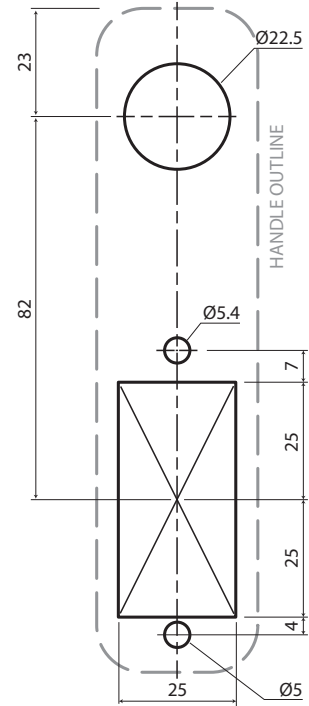
- 8mm square shaft, 60mm long

MATERIAL & FINISH

- Zinc die Handle & Base
- Zinc plated mild steel shaft

CAM ACCESSORY OPTIONS:

- 1000-1586 - Single point
- 1000-1587 - 3 point with adapters
- 1000-1588 - 3 point without adapters
- P2535 - Emergency internal handle



MAXIMUM OPENING

Code	Base Finish	Handle Finish
1107SBBU3N	Black EDP coated	Black EDP coated
1107SBCU3N	Black EDP coated	Chrome plated
1107SCCU3N	Chrome plated	Chrome plated

See Section 5: 25 for 40mm half euro profile cylinder options



SWING HANDLES

ESELON SERIES

PADLOCKABLE RETROFIT ZINC

FEATURES:

- Retrofits into key lock cut-out
- Vandal resistant
- Semi flush
- Park position with “click”
- IP65 rated
- Suits padlock up to 10mm
- 90° left & right stopper

SHAFT:

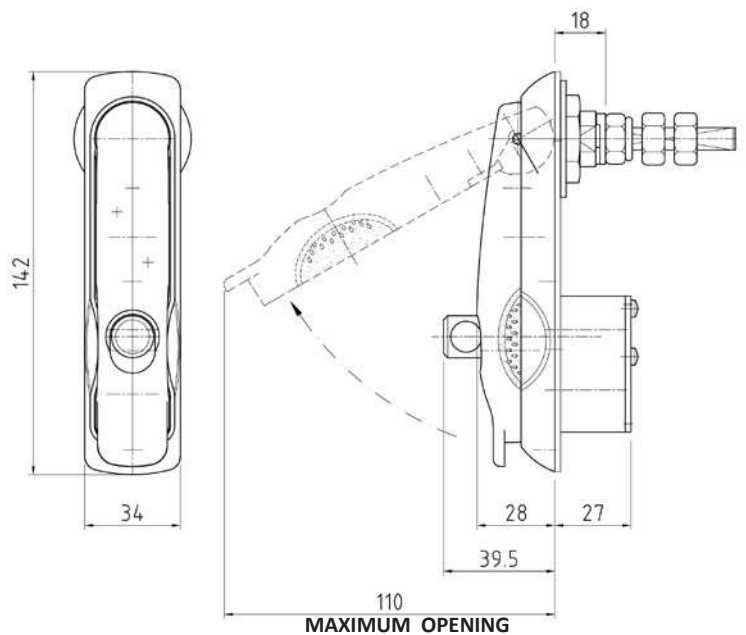
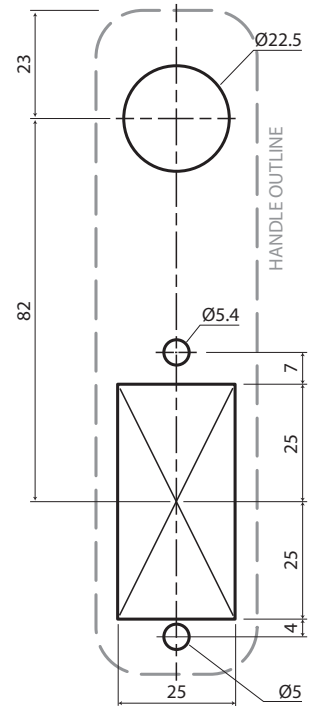
- 8mm square shaft, 60mm long

MATERIAL & FINISH

- Zinc die Handle & base
- Zinc plated mild steel shaft
- Hardend Forged steel, chrome plated Hasp

CAM ACCESSORY OPTIONS:

- 1000-1586 - Single point
- 1000-1587 - 3 point with adapters
- 1000-1588 - 3 point without adapters
- P2535 - Emergency internal handle



Code	Base Finish	Handle Finish
1107SCCU3N-PAD	Chrome plated	Chrome plated

SWING HANDLES

ESELON SERIES PADLOCKABLE ZINC

FEATURES:

- Vandal resistant
- Suits padlock up to 13mm
- Park position with “click”
- Sleek, modern design
- IP65 rated
- 90° left & right stopper

SHAFT:

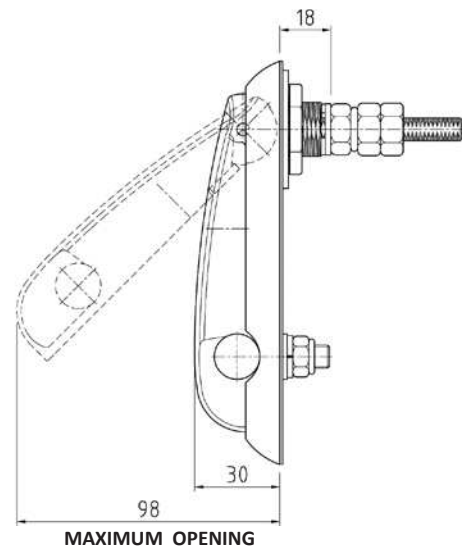
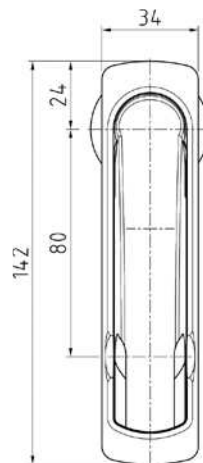
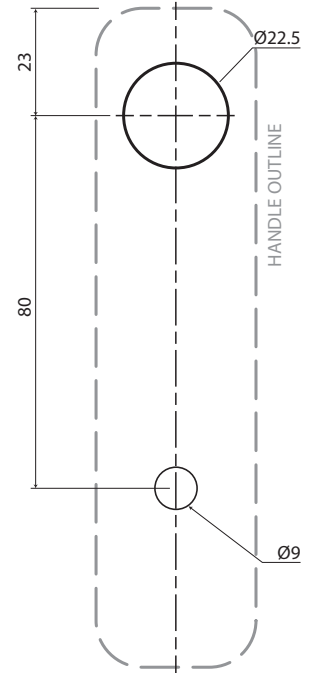
- 8mm square shaft, 60mm long

MATERIAL & FINISH

- Zinc die Handle & base
- Zinc plated mild steel shaft
- Hardend Forged steel, chrome plated Hasp

CAM ACCESSORY OPTIONS:

- 1000-1586 - Single point
- 1000-1587 - 3 point with adapters
- 1000-1588 - 3 point without adapters
- P2535 - Emergency internal handle



Code	Base Finish	Handle Finish
1107SBB04N	Black EDP coated	Black EDP coated
1107SBC04N	Black EDP coated	Chrome plated
1107SCC04N	Chrome plated	Chrome plated

SWING HANDLES

ESELON SERIES

PADLOCKABLE

STAINLESS STEEL

FEATURES:

- Vandal resistant
- Suits padlock up to 13 mm
- Park position with "click"
- Semi flush
- IP65 rating
- 90° left & right stopper
- Handle & Base Stainless steel cast alloy CF-8M (equivalent to wrought stainless steel AISI 316)

SHAFT:

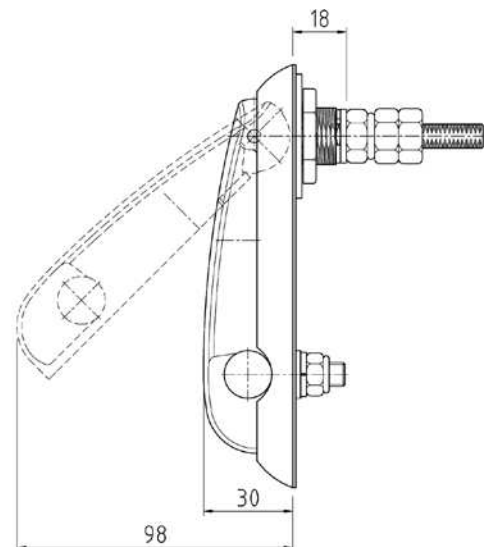
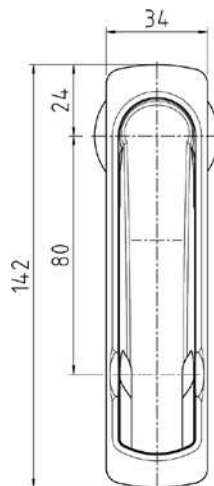
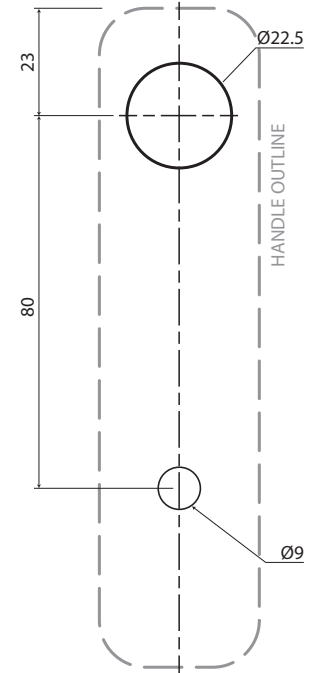
- 8mm square shaft, 60mm long

MATERIAL & FINISH

- Shaft Stainless steel 316
- Hasp Stainless steel 316

CAM ACCESSORY OPTIONS:

- 1000-1586 - Single point
- 1000-1587 - 3 point with adapters
- 1000-1588 - 3 point without adapters
- 1000-1587-SS - 3 point with adapters
- 1000-1588-SS - 3 point without adapters
- P2535 - Emergency internal handle



MAXIMUM OPENING



Code	Base Finish	Handle Finish
1107SSS04N	Polished	Polished

SWING HANDLES

MILLENIUM SERIES

NON-LOCKING

ZINC

FEATURES:

- Semi flush
- Park position with “click”
- IP65 rated
- 90° left & right stopper

SHAFT:

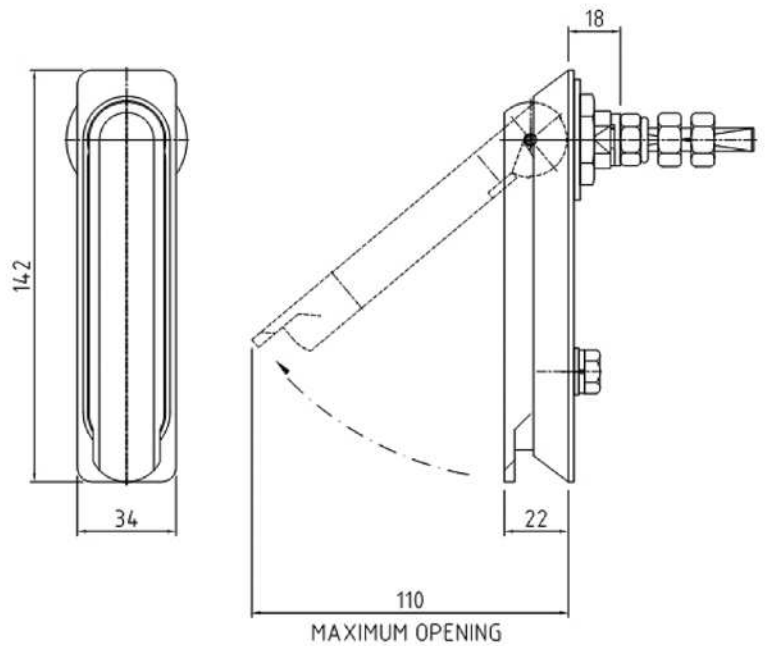
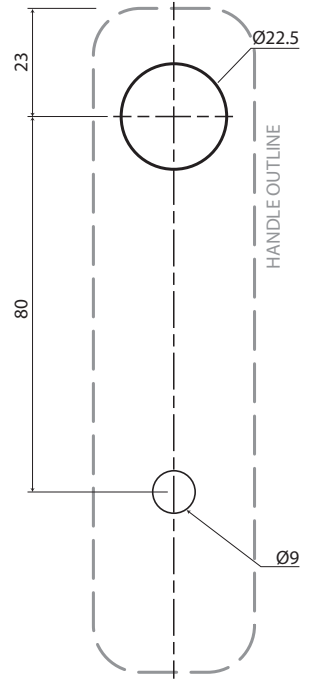
- 8mm square shaft, 60mm long

MATERIAL & FINISH

- Zinc die Handle & Base
- Mild steel, Zinc plated shaft

CAM ACCESSORY OPTIONS:

- 1000-1586 - Single point
- 1000-1587 - 3 point with adapters
- 1000-1588 - 3 point without adapters
- P2535 - Emergency internal handle



Code	Base Finish	Handle Finish
1107SCC14	Chrome plated	Chrome plated



SWING HANDLES

MILLENIUM SERIES

ECONOMY BARREL CYLINDER

STAINLESS STEEL

FEATURES:

- With lock dust cover
- Vandal resistant
- Park position with “click”
- Semi flush
- IP65 rating
- Available in many key combinations
- 90° left & right stopper

SHAFT:

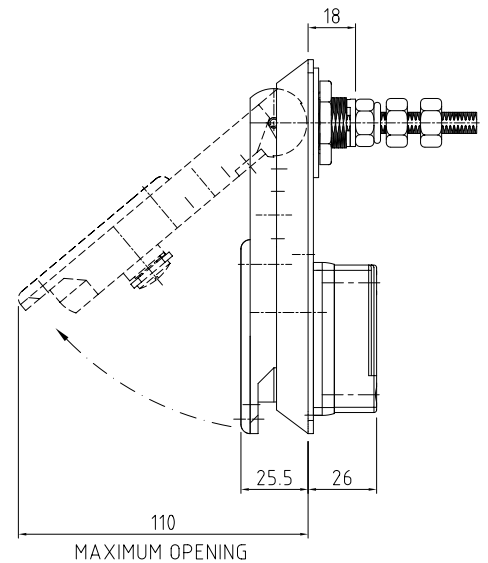
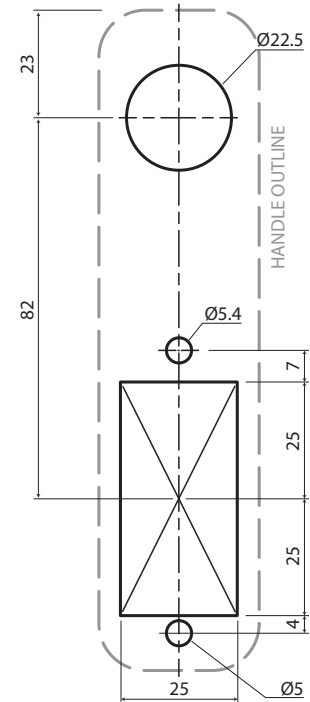
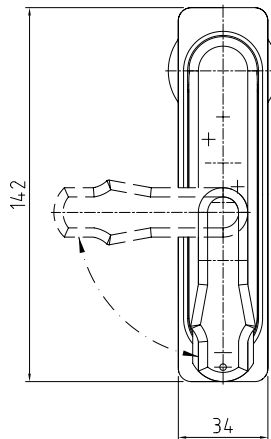
- 8mm square shaft, 60mm long

MATERIAL & FINISH

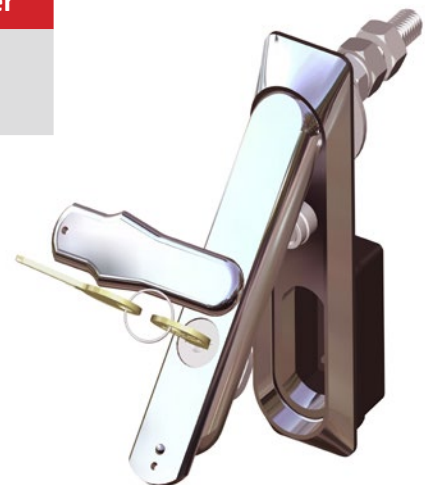
- Stainless steel cast alloy CF-8M Handle and Base.
(equivalent to wrought stainless steel AISI 316)
- 316 stainless steel shaft

CAM ACCESSORY OPTIONS:

- 1000-1586 - Single point
- 1000-1587 - 3 point with adapters
- 1000-1588 - 3 point without adapters
- 1000-1587-SS 3 point with adapters
- 1000-1588-SS 3 point without adapters
- P2535 Emergency internal handle



Code	Base Finish	Handle Finish	Key Number
1107SSSU3-01D	Polished	Polished	CL001
1107SSSU3-02D	Polished	Polished	92268



SWING HANDLES

MILLENNIUM SERIES

HIGH SECURITY

HALF EURO PROFILE CYLINDER

STAINLESS STEEL

FEATURES:

- Vandal resistant
- Park position with “click”
- Semi flush
- IP65 rated
- Suits 45mm half euro profile cylinders
- 90° left & right stopper

SHAFT:

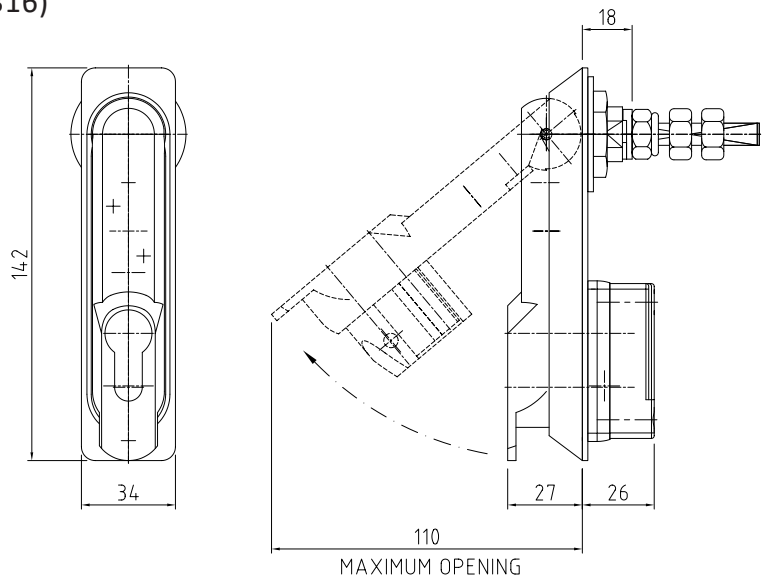
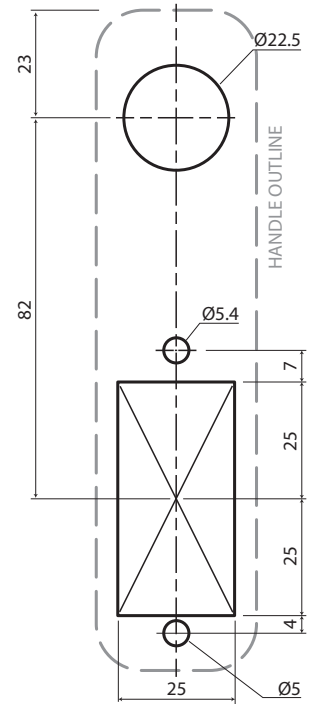
- 8mm square shaft, 60mm long

MATERIAL & FINISH

- Stainless steel cast alloy CF-8M Handle & Base (equivalent to wrought stainless steel AISI 316)
- 316 Stainless steel

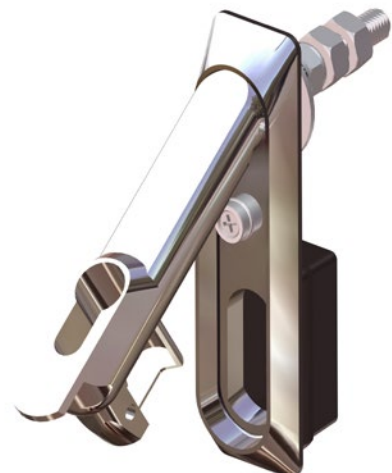
CAM ACCESSORY OPTIONS:

- 1000-1586 - Single point
- 1000-1587 - 3 point with adapters
- 1000-1588 - 3 point without adapters
- 1000-1587-SS - 3 point with adapters
- 1000-1588-SS - 3 point without adapters
- P2535 - Emergency internal handle
- 45mm Euro Profile Cylinder



Code	Base Finish	Handle Finish
1107SSSU3-45	Polished	Polished

See Section 5: 25 for 40mm half euro profile cylinder options



SWING HANDLES

MILLENIUM SERIES

PADLOCKABLE

ZINC

FEATURES:

- Vandal resistant
- Park position with “click”
- Semi flush
- IP65 rated
- 13mm hasp-new cut-resistant material
- Suits padlock up to 13mm
- 90° left & right stopper

SHAFT:

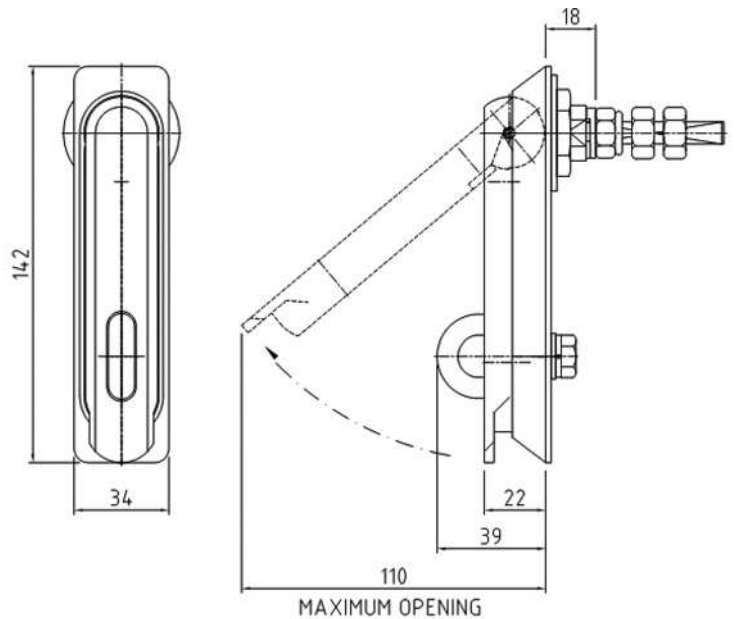
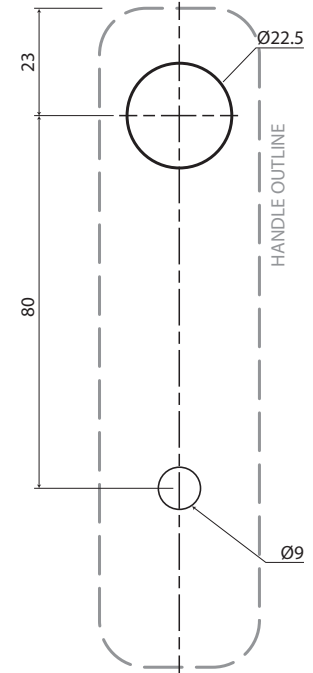
- 8mm square shaft, 60mm long

MATERIAL & FINISH

- Zinc die Handle 7 Base
- Zinc plated Mild steel shaft
- Chrome plated Hasp Hardened Forged steel

CAM ACCESSORY OPTIONS:

- 1000-1586 - Single point
- 1000-1587 - 3 point with adapters
- 1000-1588 - 3 point without adapters
- P2535 - Emergency internal handle



Code	Base Finish	Handle Finish
1107SBB04	Black EDP coated	Black EDP coated
1107SBC04	Black EDP coated	Chrome plated
1107SCC04	Chrome plated	Chrome plated

SWING HANDLES

MILLENIUM SERIES

HIGH DUTY PADLOCKABLE

ZINC

FEATURES:

- Vandal resistant
- Park position with "click"
- Semi flush
- IP65 rated
- 13mm hasp-new cut-resistant material
- Suits padlock up to 13mm
- 90° left & right stopper

SHAFT:

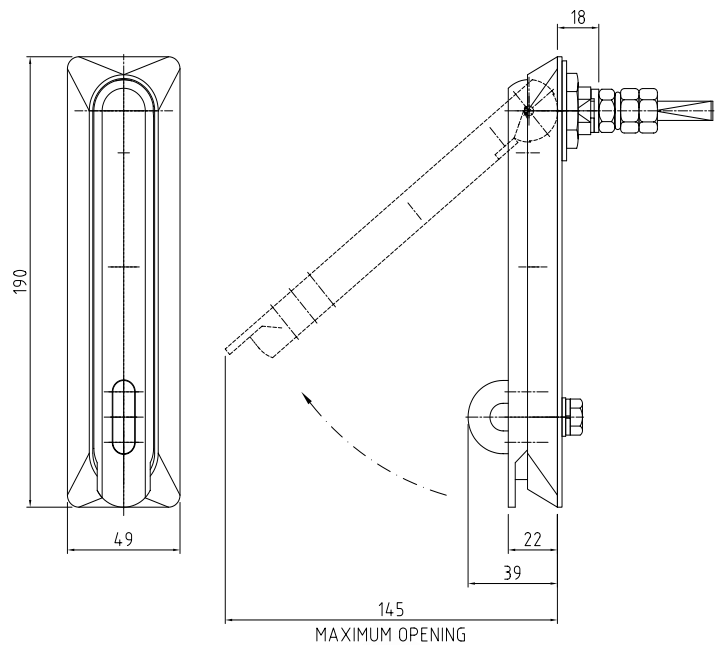
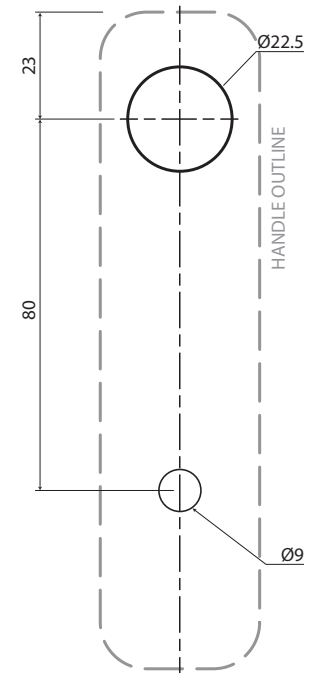
- 8mm square shaft, 60mm long

MATERIAL & FINISH

- Zinc die Handle 7 Base
- Zinc plated Mild steel shaft
- Stainless steel hasp

CAM ACCESSORY OPTIONS:

- 1000-1586 - Single point
- 1000-1587 - 3 point with adapters
- 1000-1588 - 3 point without adapters
- P2535 - Emergency internal handle



Code	Base Finish	Handle Finish
1107-BBCH-W	Black EDP coated	Chrome plated



SWING HANDLES

A SERIES

PADLOCKABLE

ZINC & STAINLESS STEEL

FEATURES:

- Vandal resistant
- Semi flush
- IP65 rated
- Suits padlock up to 12mm

SHAFT:

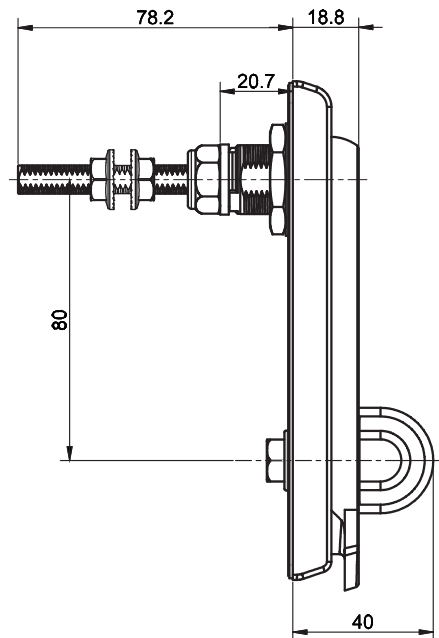
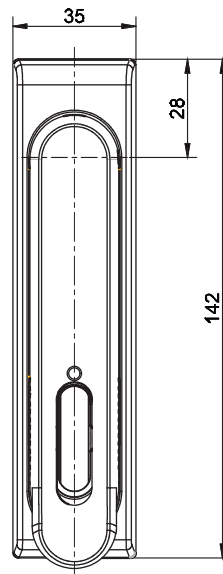
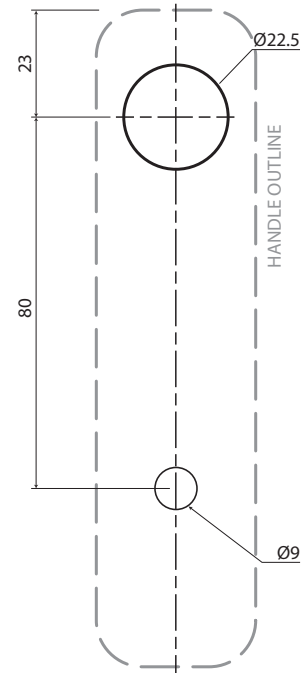
- 8mm square shaft, 80mm long

MATERIAL & FINISH

- Zinc Black, Chrome or 316 Stainless steel

CAM ACCESSORY OPTIONS:

- 1000-1586 - Single point
- 1000-1587 - 3 point with adapters
- 1000-1588 - 3 point without adapters
- 1000-1587-SS - 3 point with adapters
- 1000-1588-SS - 3 point without adapters
- P2535 - Emergency internal handle



Code	Material	Base Finish	Handle Finish
1107-A2140-BB*	Zinc	Black EDP coated	Black EDP coated
1107-A2140-BC*	Zinc	Black EDP coated	Chrome plated
1107-A2140-CC	Zinc	Chrome plated	Chrome plated
1107-A2140-316	316 S/steel	Polished	Polished

*Special order product

SWING HANDLES

A SERIES

PADLOCKABLE

ZINC & STAINLESS STEEL

FEATURES:

- Vandal resistant
- Semi flush
- IP65 rated
- Suits padlock up to 12mm

SHAFT:

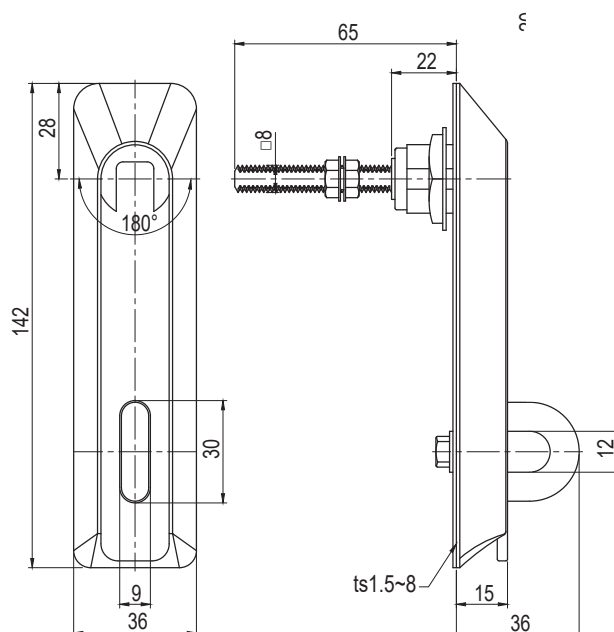
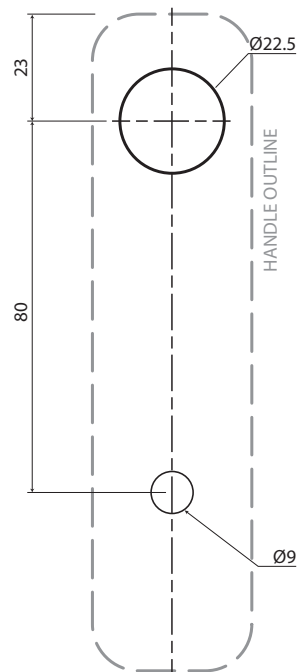
- 8mm square shaft, 80mm long

MATERIAL & FINISH

- Zinc Black, Chrome or 316 Stainless steel

CAM ACCESSORY OPTIONS:

- 1000-1586 - Single point
- 1000-1587 - 3 point with adapters
- 1000-1588 - 3 point without adapters
- 1000-1587-SS - 3 point with adapters
- 1000-1588-SS - 3 point without adapters
- P2535 - Emergency internal handle



Code	Material	Base Finish	Handle Finish
1107-A2150-BB*	Zinc	Black EDP coated	Black EDP coated
1107-A2150-BC	Zinc	Black EDP coated	Chrome plated
1107-A2150-CC	Zinc	Chrome plated	Chrome plated
1107-A2150-316	316 S/steel	Brushed	Brushed

* Special order product

SWING HANDLES

DIRAK (GERMANY) HALF EURO PROFILE POLYAMIDE

FEATURES:

- Higher security key options available
- Park position with "click"
- Sleek, modern design
- Suits 40mm half euro profile cylinders
- IP65 rated
- 90° left & right stopper

MATERIAL & FINISH

- Polyamide Handle & Base

CAM ACCESSORY OPTIONS:

- Single point cams - see Section 10: 25
- 3 point cams - see Section 10: 25

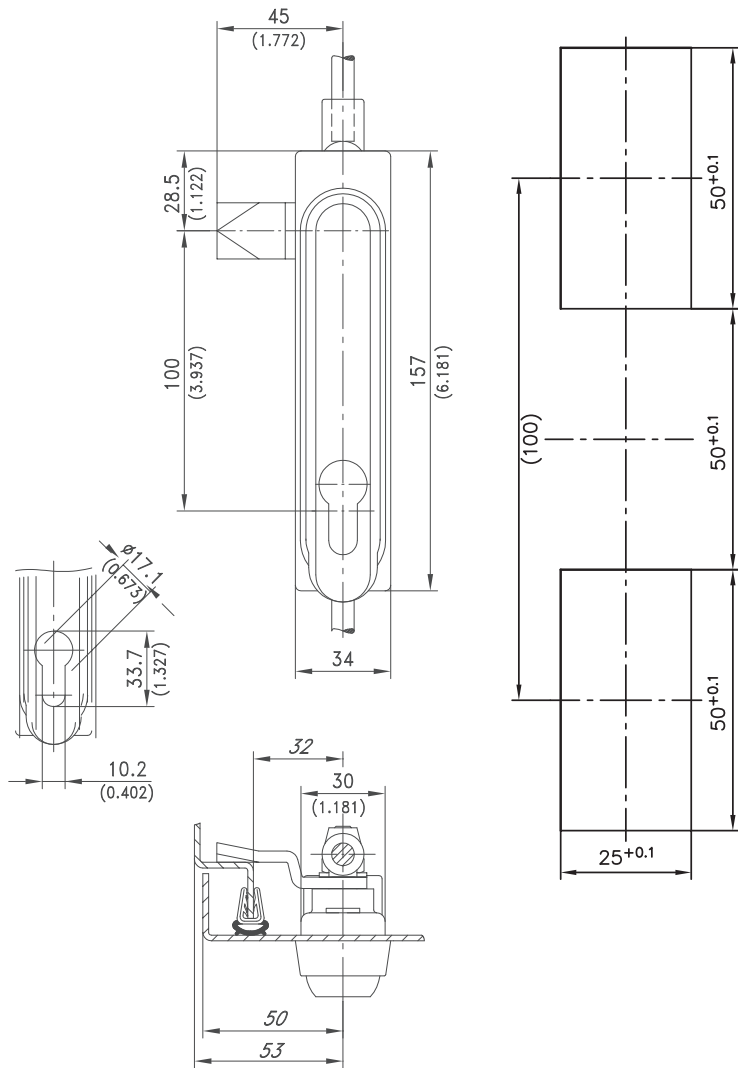


Photo showing 211-9106-#### profile cylinder in handle (not included)

Code	Base Finish	Handle Finish
207-9282	Black	Black

See Section 5: 25 for 40mm half euro profile cylinder options



Selectlok NZ are exclusive New Zealand distributors for Dirak (Germany). Dirak offer an extensive range of high quality product; visit www.dirak.com for the full range and all design / CAD specifications available.

SWING HANDLES

DIRAK (GERMANY) HALF EURO PROFILE POLYAMIDE & ZINC

FEATURES:

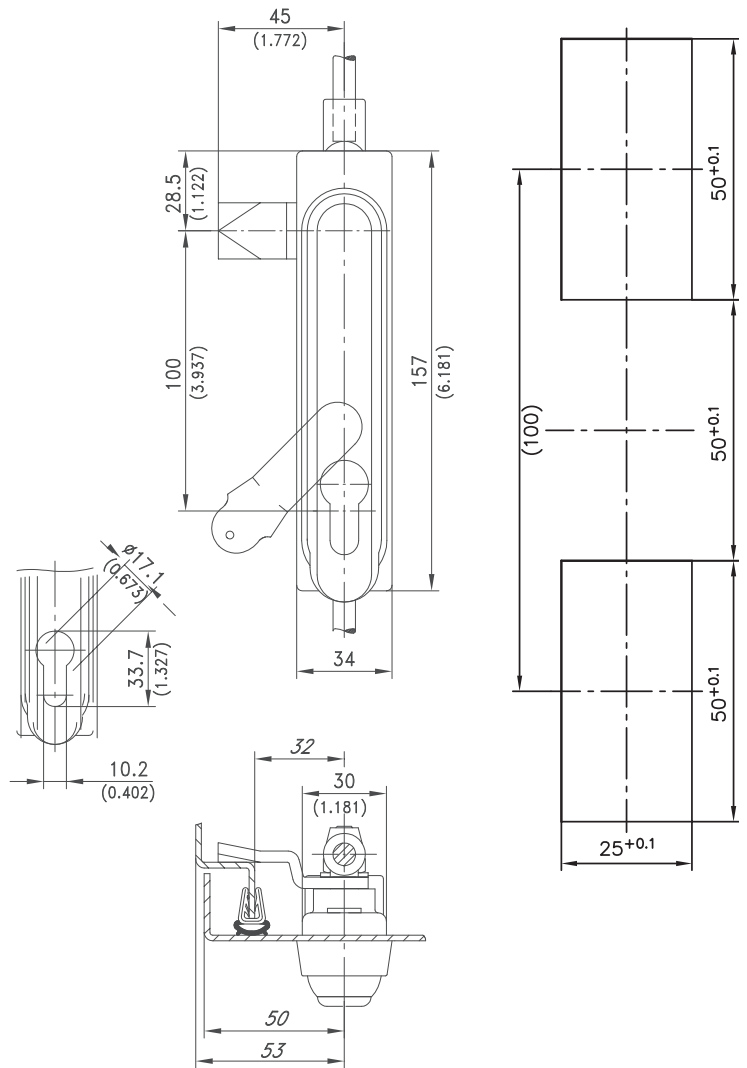
- Higher security key options available
- Park position with “click”
- Sleek, modern design
- Suits 40-45mm half euro profile cylinders
- IP65 rated
- 90° left & right stopper

MATERIAL & FINISH

- Polyamide base with zinc black handle

CAM ACCESSORY OPTIONS:

- Single point cams - see Section 10: 24
- 3 point cams - see Section 10: 25



Code	Base Finish	Handle Finish
107-9228	Black	Black

See Section 5: 25 for 40mm half euro profile cylinder options



Photo showing 211-9106-#### 40mm half euro profile cylinder in handle (not included). Cylinder recessed 5mm for added security.

Selectlok NZ are exclusive New Zealand distributors for Dirak (Germany). Dirak offer an extensive range of high quality product; visit www.dirak.com for the full range and all design / CAD specifications available.

SWING HANDLES

KEY BARREL OR HALF EURO PROFILE & PADLOCKABLE STAINLESS STEEL

FEATURES:

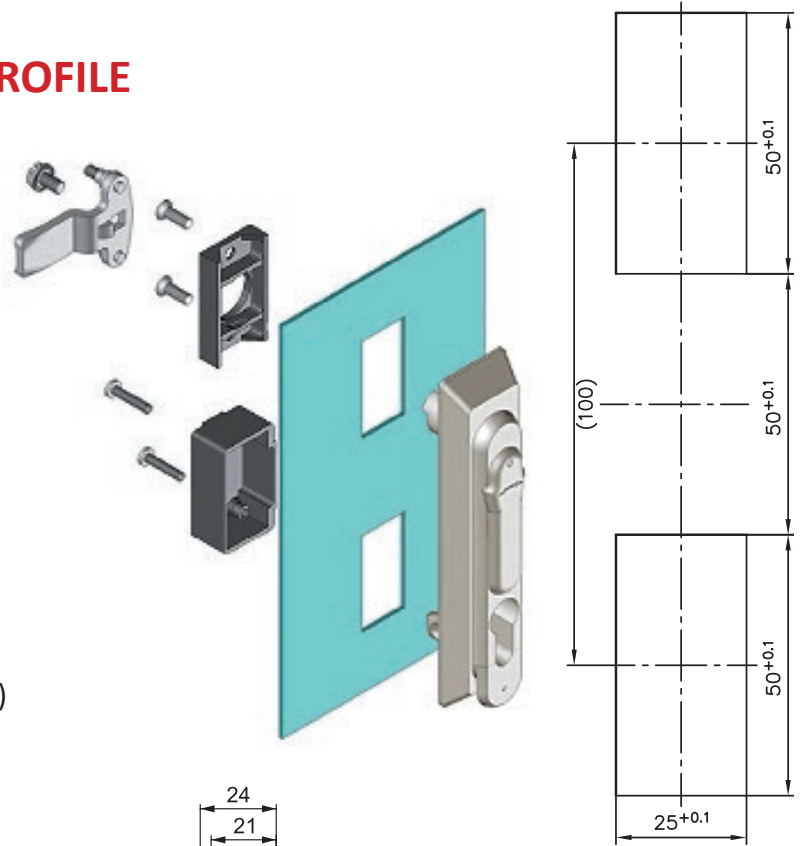
- Higher security key options available
- Park position with "click"
- Sleek, modern design
- Suits 40mm half euro profile cylinders
- IP65 rated
- 90° left & right stopper

MATERIAL & FINISH

- 316 Stainless steel
- Brass Profile Cylinder (M-401-11-00 only)

CAM ACCESSORY OPTIONS:

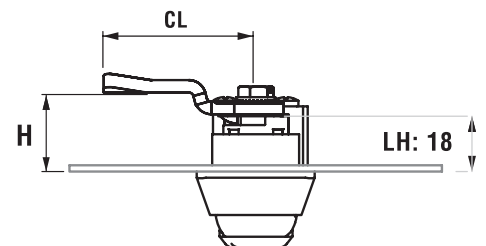
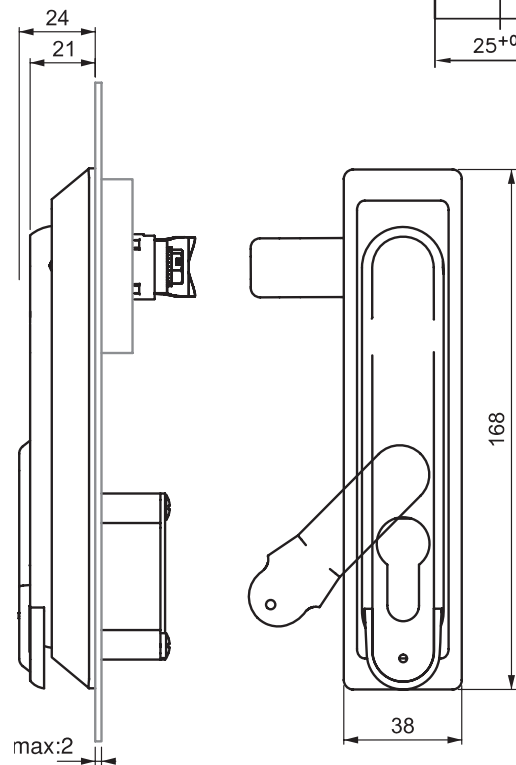
- Single point cams - see Section 10: 24
- 3 point cams - see Section 10: 25



M-401-11-00-1



M-401-00-00-1



Code	Description	Material / Finish
M-401-11-00-1	Keyed Alike + Padlockable	316SS / Brushed
M-401-00-00-1	No Cylinder + Padlockable	316SS / Brushed

See Section 5: 25 for 40mm half euro profile cylinder options



SWING HANDLES

HIGH SECURITY KEY

SPRING LOADED HANDLE

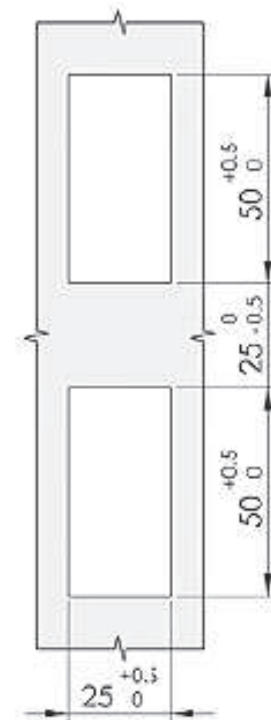
ZINC

FEATURES:

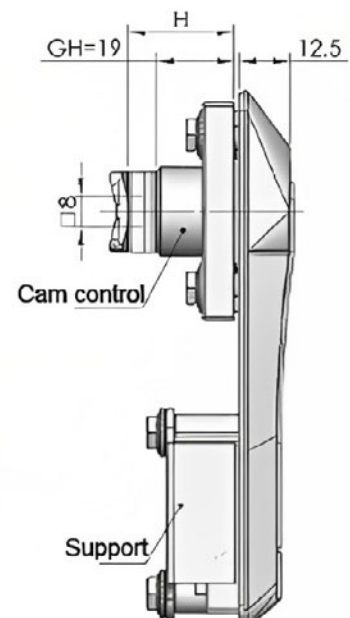
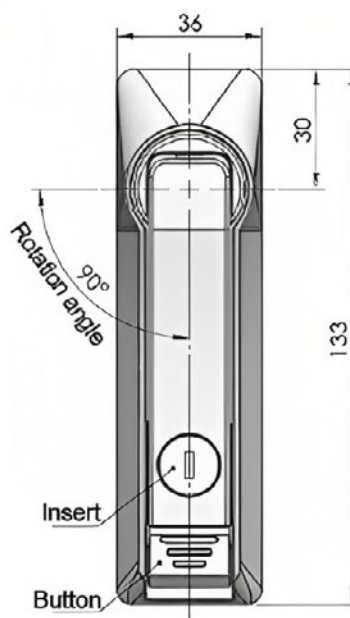
- High security key
- Suit standard cam attachment
- Convenient spring loaded handle
- 90° Handle turn can swap left or right
- Easy to use push button
- Semi flush
- IP65 rated

MATERIAL & FINISH

- Zinc alloy black



Cut out



Code	Description	Material / Finish	Barrel Length (GH)	Cam Height (H)
MS819-1	Keyed Alike	Zinc / Black	19	26
MS819-1-KD	Keyed to Differ	Zinc / Black	19	26

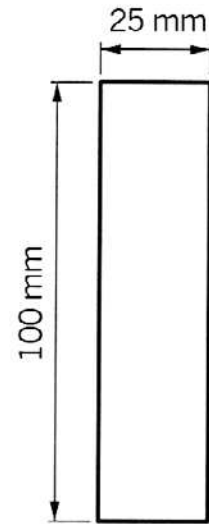
SWING HANDLES

MINI SLIM

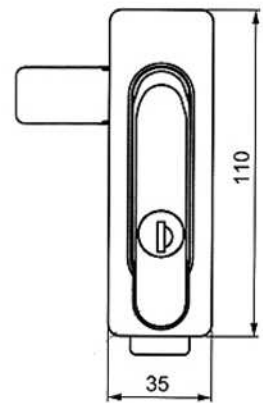
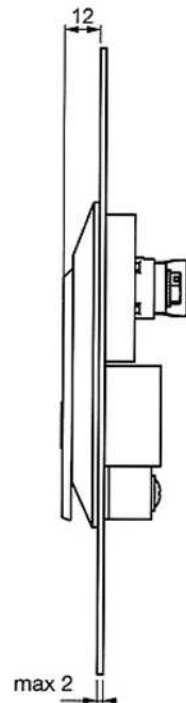
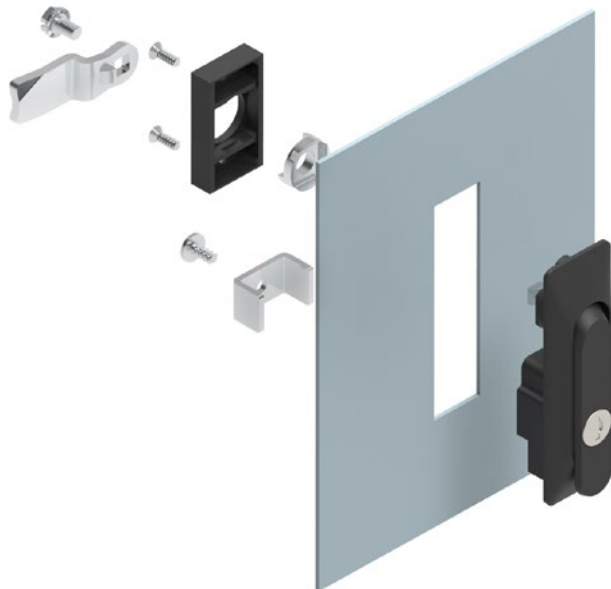
ECONOMY BARREL

PLASTIC / ZINC

- Compact size: 110mm x 35mm
- Suitable for smaller doors
- Simple rectangular cut out
- Low profile - only 12mm protrusion
- IP65 rated
- Polymide base and zinc black handle
- Use with single point or three point cams



Cut out



Code	Key Code	Finish
M-308-12-2-05-36	1333	Black

Single point cams - see Section 10: 24

SWING HANDLES

MINI PADLOCKABLE

ZINC

FEATURES:

- Vandal resistant
- IP65 rated
- Semi flush
- Suits padlock up to 13mm
- 13mm hasp-new cut-resistant material

SHAFT:

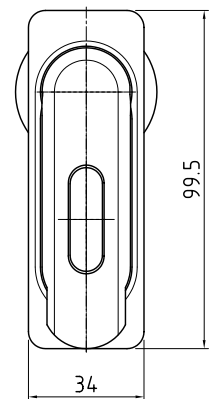
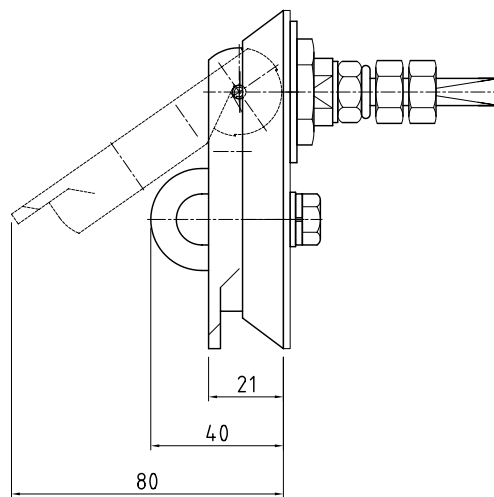
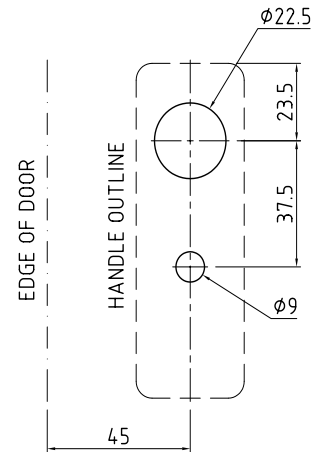
- 8mm square shaft, 68mm long

MATERIAL & FINISH

- Zinc die handle & base
- Zinc plated mild steel shaft
- Chrome plated hasp hardened forged steel

CAM ACCESSORY OPTIONS:

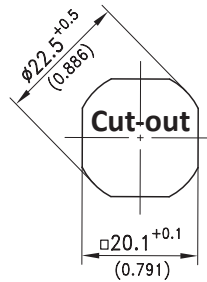
- 1000-1586 - Single point
- 1000-1587 - 3 point with adapters
- 1000-1588 - 3 point without adapters
- P2535 - Emergency internal handle



Code	Base Finish	Handle Finish
1107MBB04	Black EDP coated	Black EDP coated
1107MCC04	Chrome plated	Chrome plated

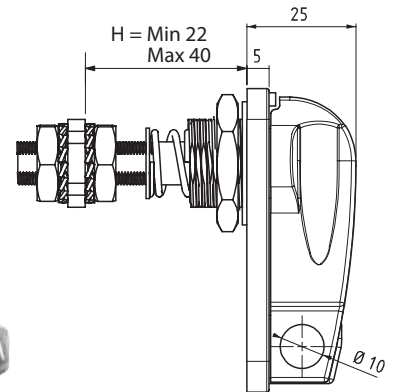
SWING HANDLES

MINI PADLOCKABLE ADJUSTABLE CAM ZINC



FEATURES:

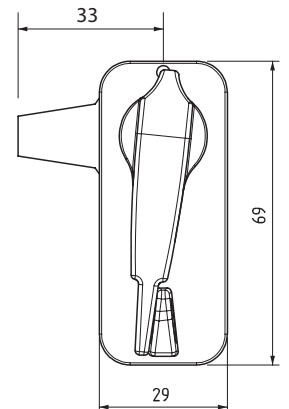
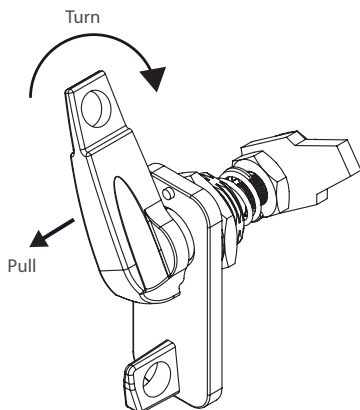
- Padlockable mini swing handle / wing handle
- M10 threaded shaft to fit adjustable single point or 3 point locking cams
- Retrofit quarter turn cut-out
- Very compact, beautiful, practical design
- Easy assembly
- Fast easy change from left to right handed



M-662-2

Adjustable cam height

Change from left hand to right hand rotation by pulling the spring loaded handle and rotating past stop pin:



Code	Description	Material / Finish
M-662-44-001	Padlockable, adjustable cam height	Zinc / Black

Supplied with 33mm long flat cam See Section 3: 2 for other cam options

SWING HANDLES

MINI NON-LOCKING

POLYAMIDE

FEATURES:

- Easy assembly
- No corrosion
- Economically priced
- Sleek, modern design

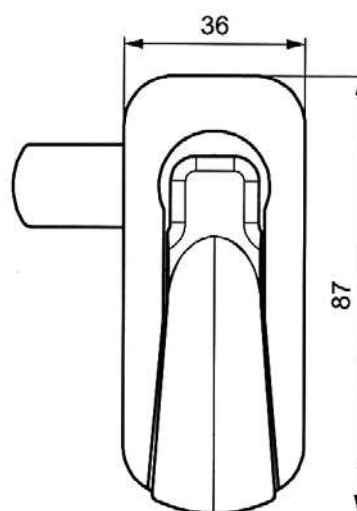
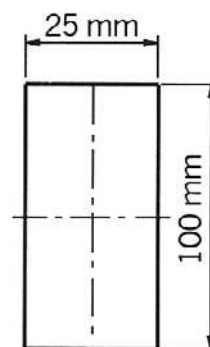
DIMENSIONS:

- 87mm High x 36mm Wide

MATERIAL & FINISH

- Polyamide body and handle
- Zinc plated cam

Cut out



Code	Handedness	Finish
M-072-1-36-001	Right hand	Black
M-072-1-36-002	Left Hand	Black



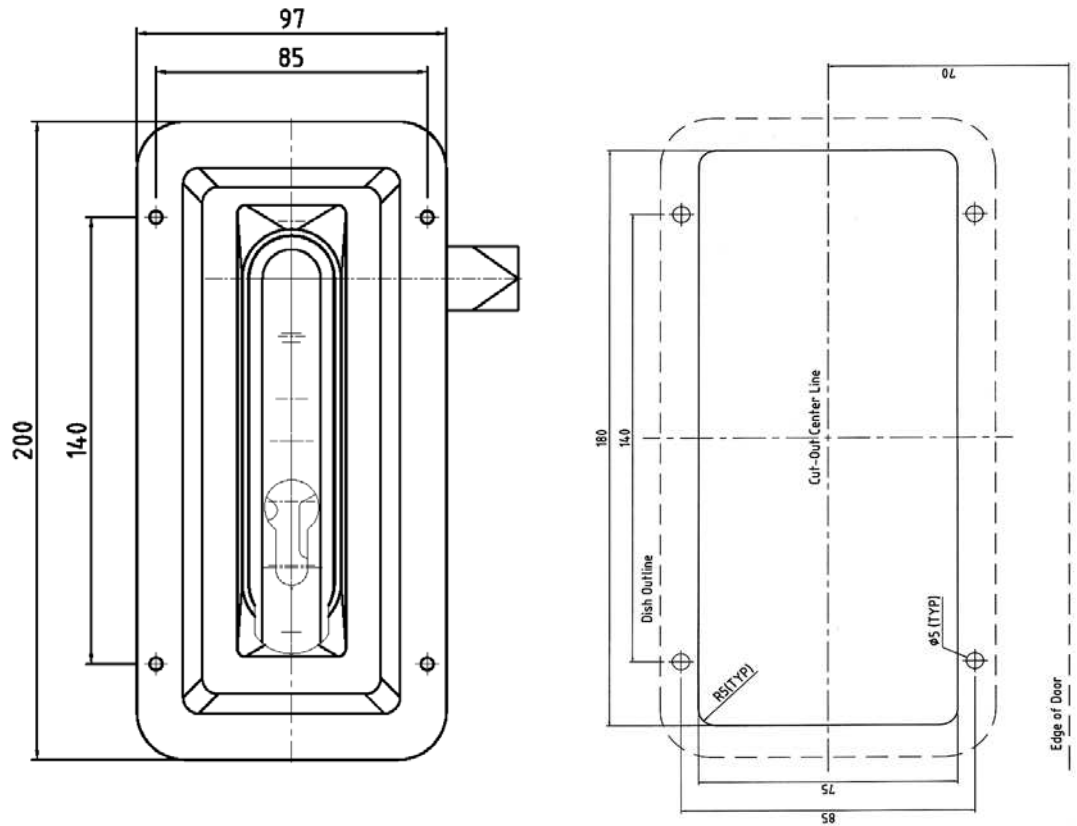
SWING HANDLES

RECESSED DISHES

STAINLESS STEEL

FEATURES:

- IP65 rated
- Semi flush
- Easy cutout
- Stainless steel dish



Code	Description	Recess Depth (mm)
P2579-650-15	Half Recess Dish	10
P2579-650-16	Full Recess Dish	20
P2579-650-17	Foam gasket for dish	

Swing handle sold separately



Photo showing 211-9106-#### profile cylinder in 1107SCCU3 handle (not included)

Note: Specifications can change from time to time without notice. Cut-outs & construction should only be done with the products onsite.

SWING HANDLES

CENTRAL LOCKING

RECESSED DISH

STAINLESS STEEL

FEATURES:

- 12V DC 2 wire connection
- Can be connected to vehicles existing system
- Key override (lock/unlock)
- Park position with "click"
- 90° left & right stopper

SHAFT:

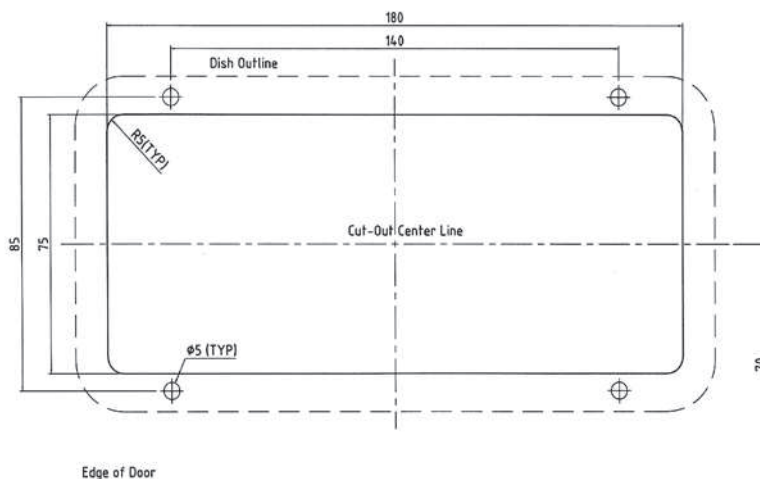
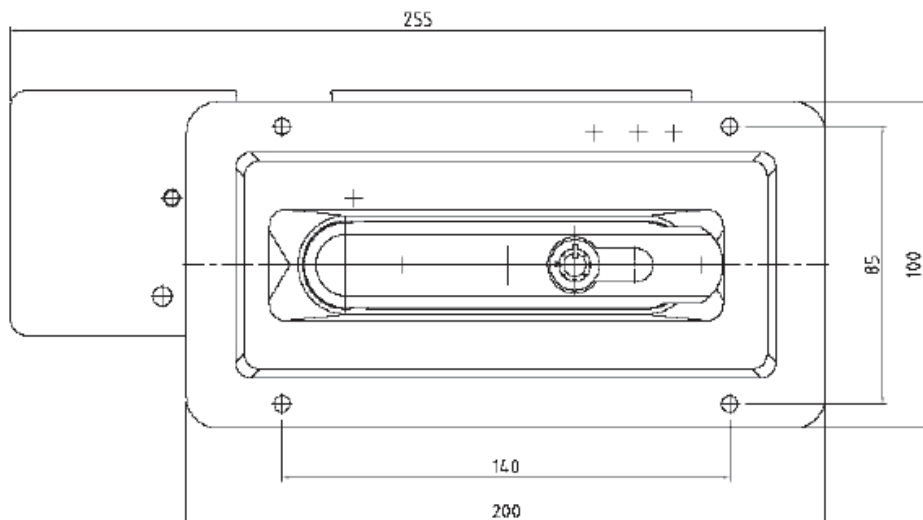
- 8mm square shaft, 68mm long

MATERIAL & FINISH

- Zinc die Handle 7 Base
- Zinc plated Mild steel shaft
- Dish Stainless steel

CAM ACCESSORY OPTIONS:

- 1000-1586 - Single point
- 1000-1587 - 3 point with adapters
- 1000-1588 - 3 point without adapters
- P2535 - Emergency internal handle



Code	Key Number
1107SCCU3-EL-04	M60204
1107SCCU3-EL-17	M60217

Photo showing 211-9106-#### profile cylinder in 1107SCCU3 handle (not included)

SWING HANDLES

40mm HALF EURO PROFILE CYLINDERS

- Blanks, insert type, standard key & high security options
- Master keyed
- Slam shut
- 20 key code available
- Suits any profile cylinder handle
- Chrome plated Cylinder Zinc die



Code	Key Number
211-9201	Blank (none)

Insert (Drive) Type:

211-9203	7mm Square
211-9204	8mm Square
211-9206	7mm Triangle
211-9207	8mm Triangle
211-9208	3mm Double Bit
211-9209	5mm Double Bit
211-9212	2x4 Slot

Standard Key:

211-9001	Keyed to Differ
211-9002	DIN 18252
211-9101-144	144 Key
211-9101-92268	92268 Key
211-9101-CL001	CL001 Key
211-9102	1333 Key

Code	Key Number
------	------------

High Security Tubular Key:

211-9106-60201	M60201
211-9106-60202	M60202
211-9106-60203	M60203
211-9106-60204	M60204
211-9106-60205	M60205
211-9106-60206	M60206
211-9106-60207	M60207
211-9106-60208	M60208
211-9106-60209	M60209
211-9106-60210	M60210
211-9106-60211	M60211
211-9106-60212	M60212
211-9106-60213	M60213
211-9106-60214	M60214
211-9106-60215	M60215
211-9106-60216	M60216
211-9106-60217	M60217
211-9106-60218	M60218
211-9106-60219	M60219
211-9106-60220	M60220

211-9106-MASTER-F All



Photo showing 211-9106-#### profile cylinder in 1107SCCU3 handle (not included)