



# PULL HANDLES

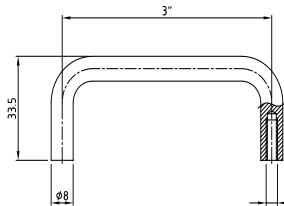
## REAR FIXING HANDLES (FEMALE THREAD)

### MILD STEEL

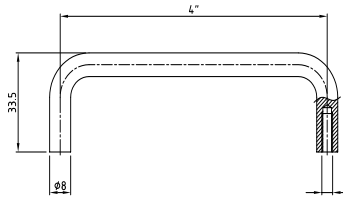
- Slim 8mm diameter pull handles
- Affordable alternative to brass / stainless steel
- Three sizes (mounting centres)
- Metric and imperial mounting thread options
- High quality chrome plating
- Chrome plated mild steel



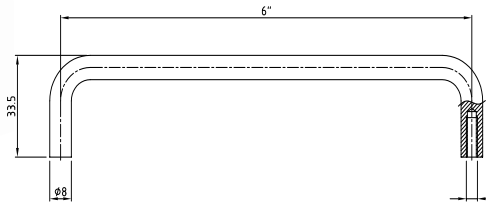
**MT203-3M**  
**MT20N-3**



**MT206-4M**  
**MT20N-4**



**MT206-6M**  
**MT20N-6**



Code	Mounting Centre Distance (mm)	Mounting Screws
MT203-3M	76	2x 5/32" BSW Threads
MT206-4M	102	2x 5/32" BSW Threads
MT206-6M	152	2x 5/32" BSW Threads
MT20N-3	76	2x M5 Threads
MT20N-4	102	2x M5 Threads
MT20N-6	152	2x M5 Threads

Note: Specifications can change from time to time without notice.  
Cut-outs & construction should only be done with the products onsite.

# PULL HANDLES

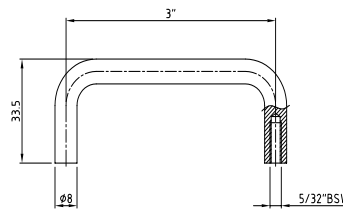
## REAR FIXING HANDLES (FEMALE THREAD)

### BRASS

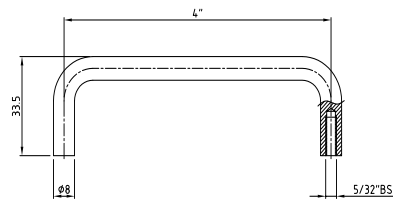
- Slim 8mm diameter pull handles
- Suitable for outdoor applications
- Three sizes (mounting centres)
- High quality chrome plating
- Chrome plated Brass



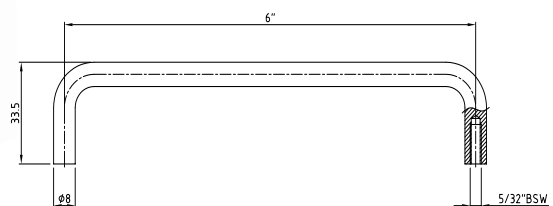
MT203-3



MT206-4



MT206-6



Code	Mounting Centre Distance (mm)	Mounting Type
MT203-3	76	2x 5/32" BSW Threads
MT206-4	102	2x 5/32" BSW Threads
MT206-6	152	2x 5/32" BSW Threads

# PULL HANDLES

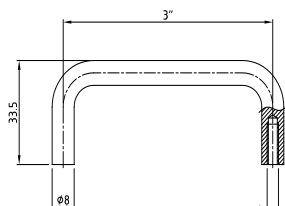
## REAR FIXING HANDLES (FEMALE THREAD)

### STAINLESS STEEL

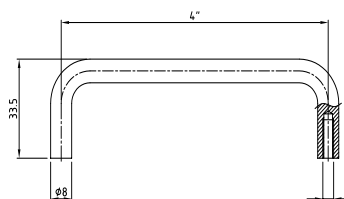
- Slim 8mm diameter pull handles
- Suitable for outdoor applications
- Three sizes (mounting centres)
- Metric and imperial mounting thread options
- Polished 304 Stainless steel



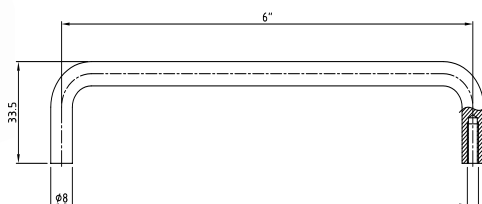
**MT203-3S**  
**MT20N-3-SS**



**MT206-4S**  
**MT20N-4-SS**



**MT206-6S**  
**MT20N-6-SS**



Code	Mounting Centre Distance (mm)	Mounting Type
MT203-3S	76	2x 5/32" BSW Threads
MT206-4S	102	2x 5/32" BSW Threads
MT206-6S	152	2x 5/32" BSW Threads
MT20N-3-SS	76	2x M5 Threads
MT20N-4-SS	102	2x M5 Threads
MT20N-6-SS	152	2x M5 Threads

Note: Specifications can change from time to time without notice.  
Cut-outs & construction should only be done with the products onsite.

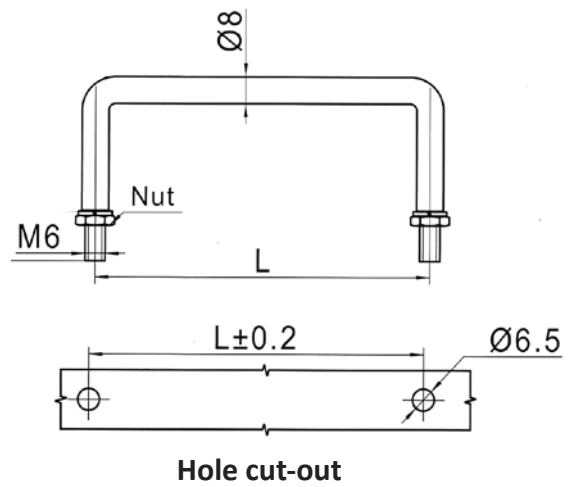
# PULL HANDLES

## REAR FIXING HANDLES (MALE THREAD) STEEL OR STAINLESS STEEL

- Slim 8mm diameter pull handles
- Stud fixing with M6 nut
- Three sizes (mounting centres)
- Chrome plated steel or 304 Stainless steel
- High quality chrome plating

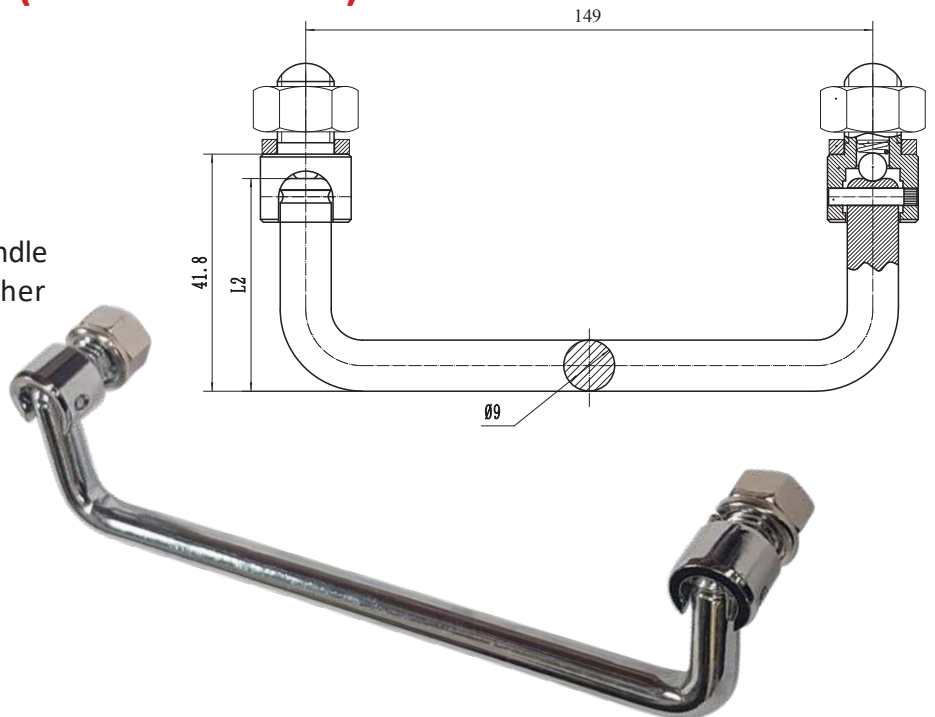


Code	Mounting Centre Distance (mm)	Material / Finish
LS507-75	75	Steel / Chrome
LS507-100	100	Steel / Chrome
LS507-150	150	Steel / Chrome
LS507-S75	75	304 S/steel / Polished
LS507-S100	100	304 S/steel / Polished
LS507-S150	150	304 S/steel / Polished



## REAR FIXING HANDLE (MALE THREAD) FOLD DOWN STEEL

- Slim 9mm diameter fold down handle
- Stud fixing with M10 nut & washer
- Chrome plated steel
- High quality chrome plating



Code	Material / Finish	Mounting Centres (mm)	Mounting Type
PL004-5	Steel / Chrome	149	2x M10 Studs

# PULL HANDLES

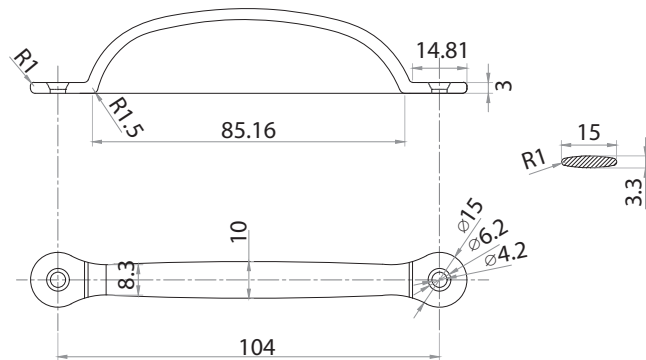
## FRONT FIXING HANDLES (HOLES)

### MARINE GRADE 316 STAINLESS STEEL

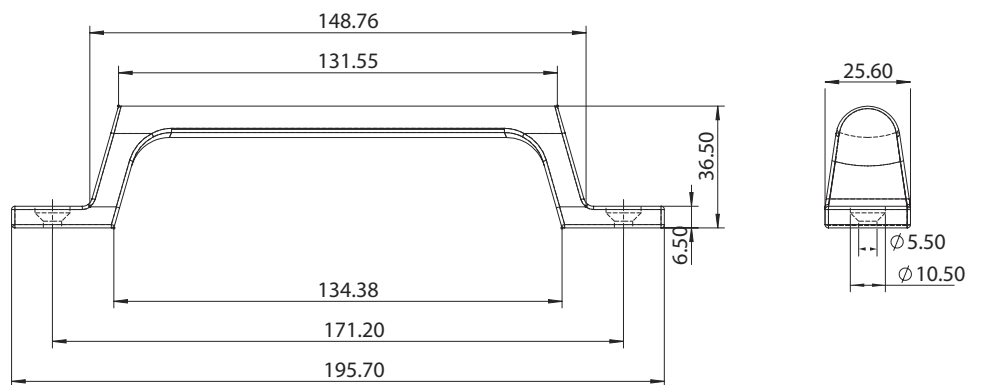
- Beautifully finished, architectural, strong handles
- Suitable for marine applications
- 316 Stainless steel



**DX316-H-119X15**



**DX316-H-196X25**



Code	Overall (mm)	Finger Gap (mm)	Mounting Type
DX316-H-119X15	119L x 26H x 15W	21	2x 6G CSK Screws
DX316-H-196X25	196L x 37H x 25W	27	2x 10G CSK Screws

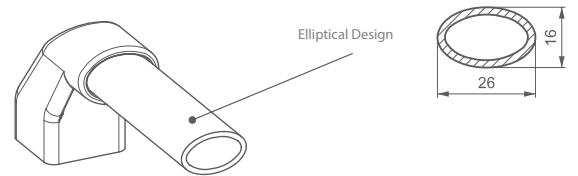
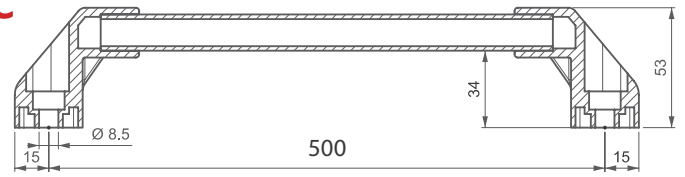
# PULL HANDLES

## FRONT FIXING HANDLE (HOLES)

### CUT TO LENGTH

### ANODISED ALUMINIUM / PLASTIC

- Cut aluminium tube to length
- Suitable for outdoor applications
- Ergonomic elliptical shape
- Matt anodised aluminium & polyamide
- 14mm diameter mounting holes

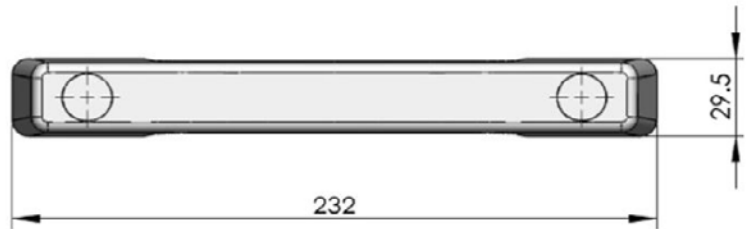
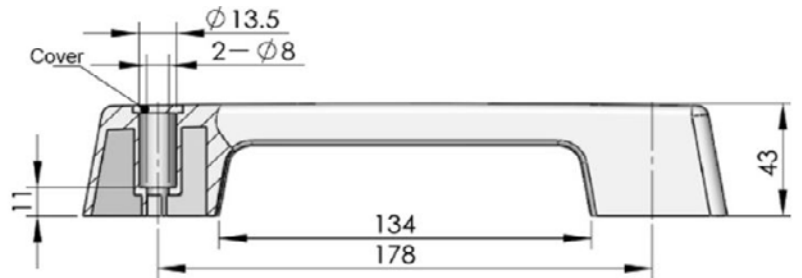


Code	Mounting Centres (mm)	Mounting Type
M-287-500	500mm	2x M8 Cap screw

## FRONT FIXING HANDLE (HOLES)

### PLASTIC

- Suitable for outdoor applications
- High quality polyamide material
- Corrosion free

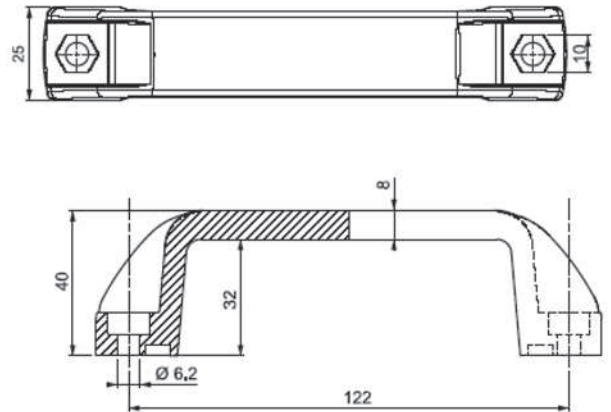


Code	Mounting Centres (mm)	Mounting Type
LS521-BLK	178	2x M8 Screws

# PULL HANDLES

## FRONT FIXING HANDLE (HOLES) PLASTIC

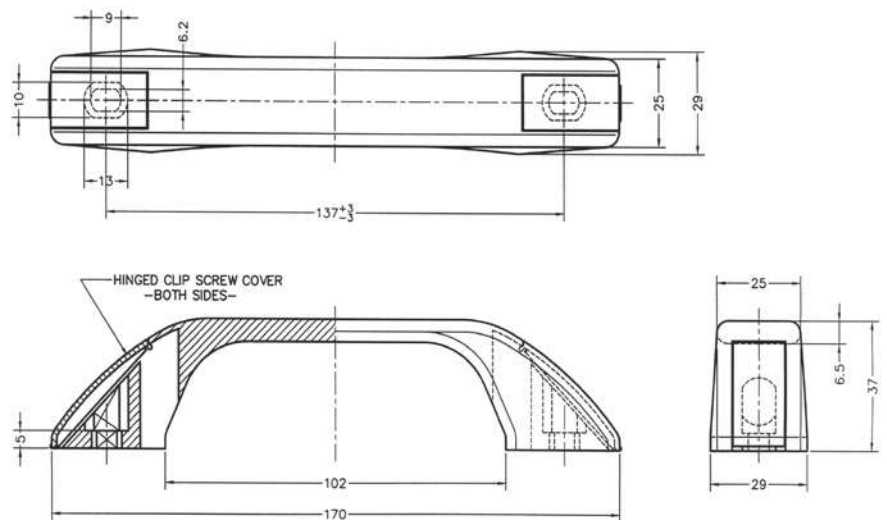
- Suitable for outdoor applications
- High quality polyamide material polyamide
- Corrosion free



Code	Material / Finish	Mounting Type
M-086-1	Polyamide / Black	2x M6 Hex set screw

## FRONT FIXING HANDLE (HOLES) PLASTIC

- Suitable for outdoor applications
- High quality polyamide material
- Hinged clip in screw covers
- Corrosion free



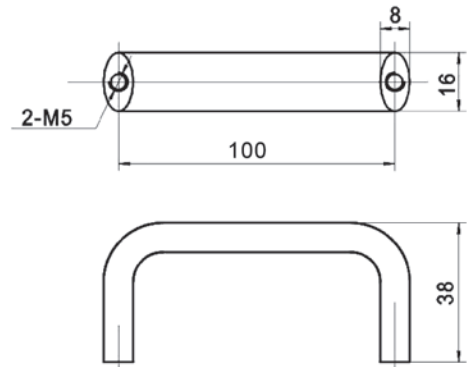
Code	Material / Finish	Mounting Type
PHP20	Polyamide / Black	2x M6 Hex set screw



# PULL HANDLES

## REAR FIXING HANDLE (FEMALE THREAD) ALUMINIUM

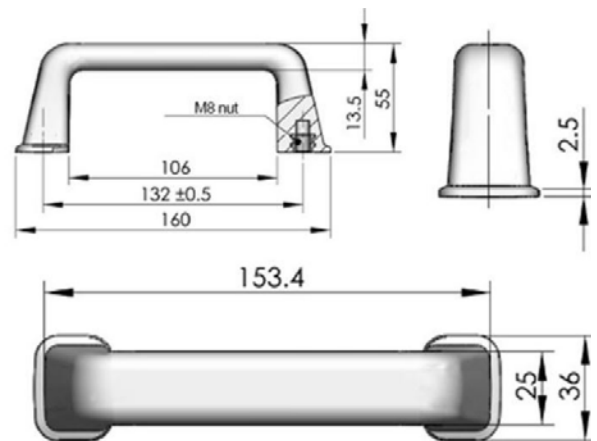
- Black powder coated aluminium handle



Code	Mounting Centres (mm)	Mounting Type
LS516-100-BLK	100	2x M5 threads

## REAR FIXING HANDLE (FEMALE THREAD) HEAVY DUTY PLASTIC

- Heavy duty Black polypropylene
- Moulded nut thread

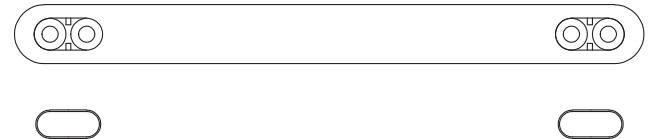
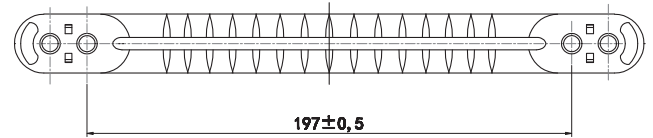
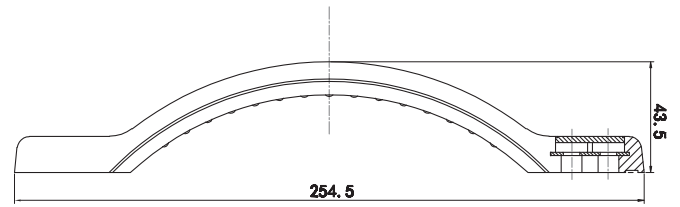


Code	Mounting Centres (mm)	Mounting Type
LS505-BLK	132	2x M8 screws

# PULL HANDLES

## FRONT FIXING HANDLE (HOLES) HEAVY DUTY REINFORCED PLASTIC

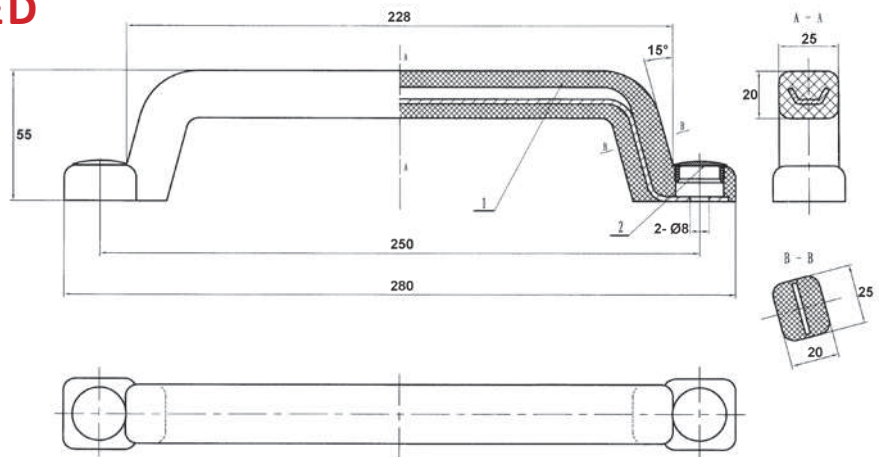
- High quality polyamide material
- Steel reinforced mounting holes



Code	Mounting Centres (mm)	Mounting Type
CH301	132	4x M8 screws

## REAR FIXING HANDLE (HOLES) HEAVY DUTY REINFORCED RUBBER

- High quality polyamide material
- Steel reinforced through handle



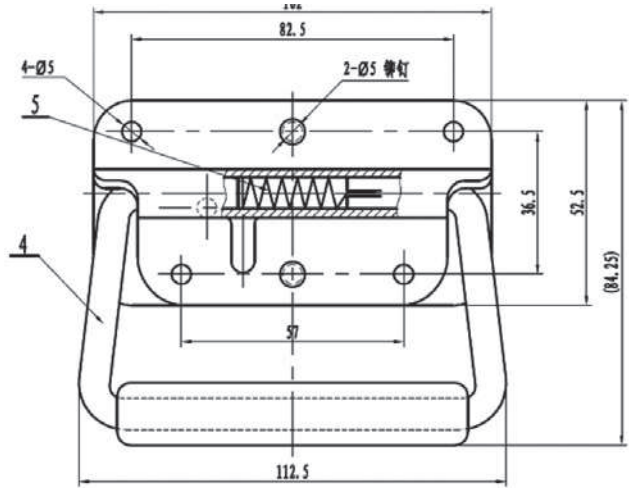
Code	Mounting Centres (mm)	Mounting Type
196010	250	2x M8 screws

PULL HANDLES

# PULL HANDLES

## DROP CHEST HANDLE (HOLES) SPRING LOADED STEEL

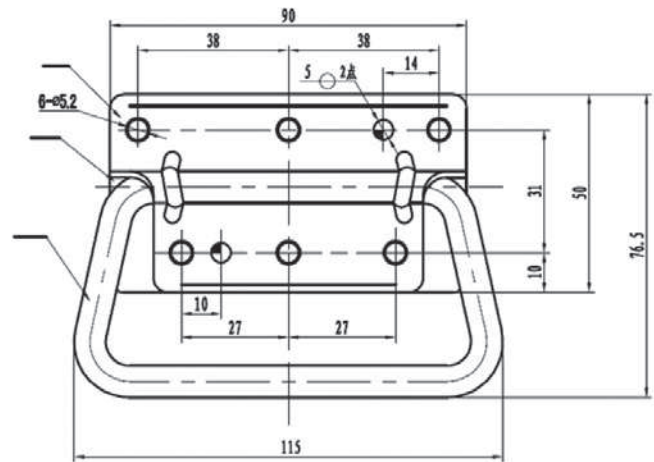
- Spring loaded fold down chest handle



Code	Description	Material
196510	Spring loaded chest handle	Steel Zinc

## DROP CHEST HANDLE (HOLES) WITHOUT SPRING STAINLESS STEEL

- Fold down chest handle (no spring)

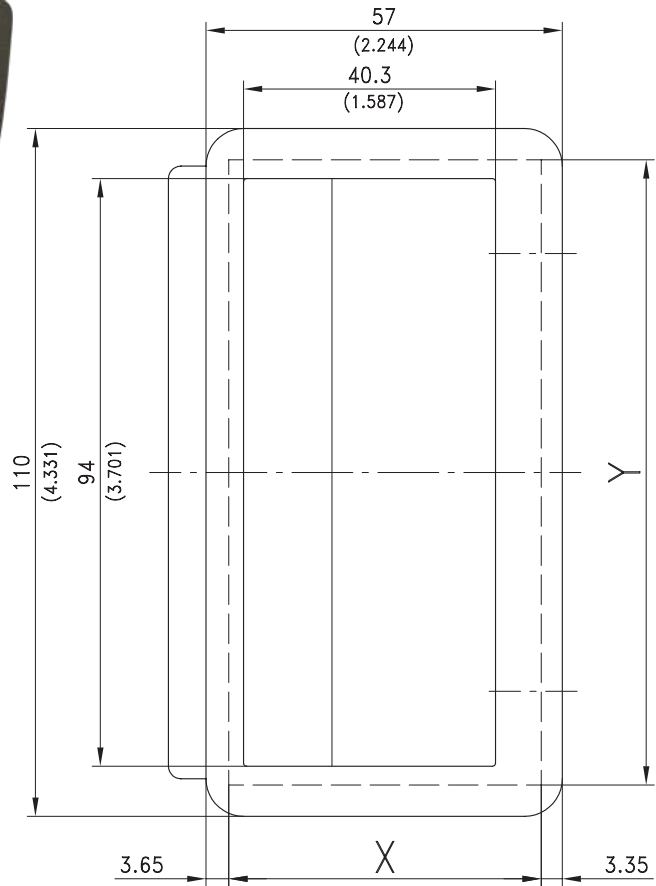
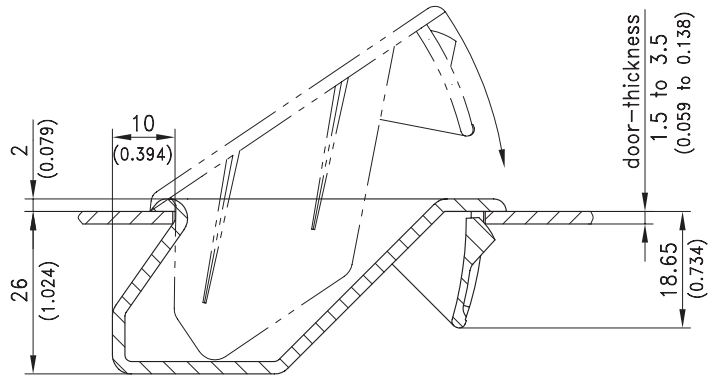


Code	Description	Material
196520-S	Drop chest handle (no spring)	304 S/Steel

# PULL HANDLES

## RECESSED HANDLE (CLIP IN) PLASTIC

- Flush finish recessed carry handle
- High quality polyamide material
- Corrosion free
- Multi-fit 1.5-3.5mm panel thickness (simply alter cut-out height)



Code	Color
213-0705.51	Black



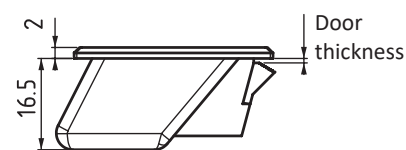
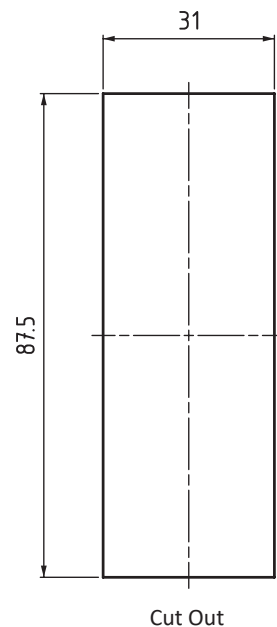
Panel thickness (mm)	Cut-out Dimensions Required (mm)	
	X	Y
1.5 - 2.0	49.6 + 0.2	100 - 0.5
2.0 - 3.2	50.3 + 0.3	100 - 0.5
3.2 - 3.5	51.0 + 0.3	100 - 0.5

Note: Specifications can change from time to time without notice.  
Cut-outs & construction should only be done with the products onsite.

# PULL HANDLES

## RECESSED HANDLE (CLIP IN) PLASTIC

- Flush finish recessed carry handle
- High quality polyamide material
- Corrosion free
- Two models to cover 1.0-2.2mm panel thickness



Code	Panel thickness (mm)	Color
M-274-1-15	1.0 - 1.4	Black
M-274-1-22	1.5 - 2.2	Black

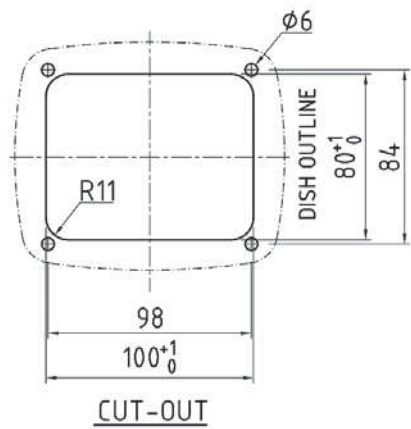
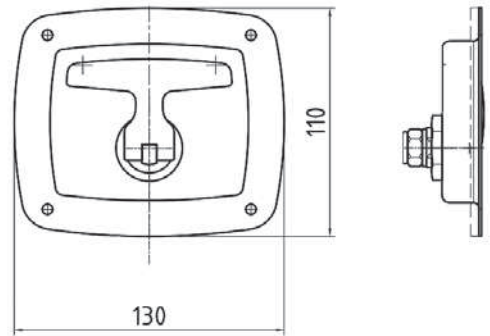


# PULL HANDLES

## RECESSED FOLDING T PULL HANDLE (HOLES)

### STAINLESS STEEL

- Fold away recessed / flush handle
- New modern design comfort handle
- Stainless steel dish (mirror-like finish)
- Heavy duty construction
- 128.5mm High x 130mm Wide
- 304 S/Steel Dish, Zinc Chrome handle

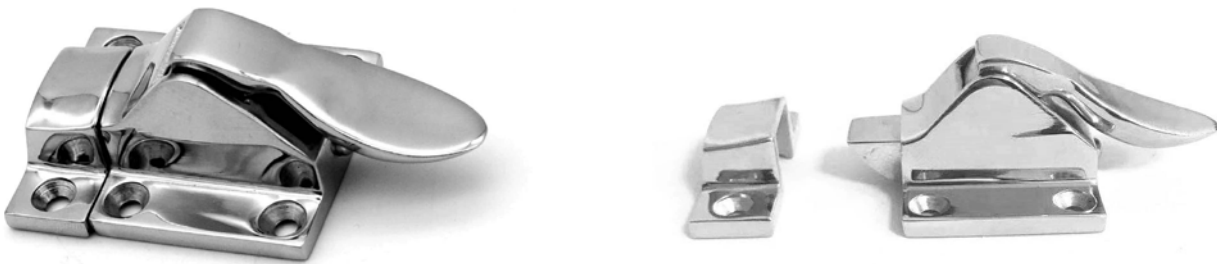


Code	Description	Material
10502-PULL-N	Folding T pull handle	304 S/Steel & Zinc Chrome

## NON-LOCKING PULL SLAM LATCH

### MARINE GRADE 316 STAINLESS STEEL

- Spring loaded handle and snib - pull handle to open door
- 316 Stainless steel suitable for use in marine environments



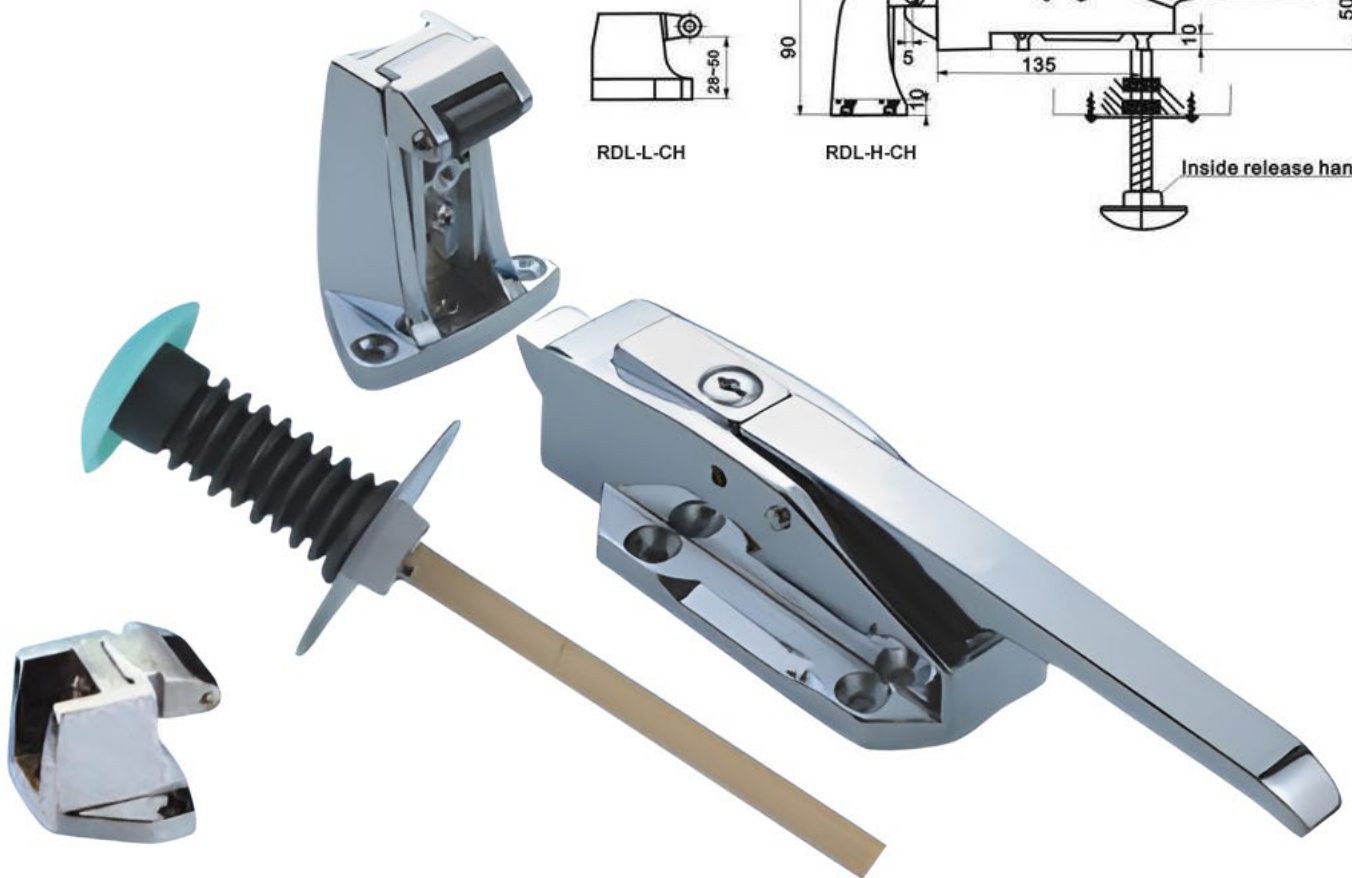
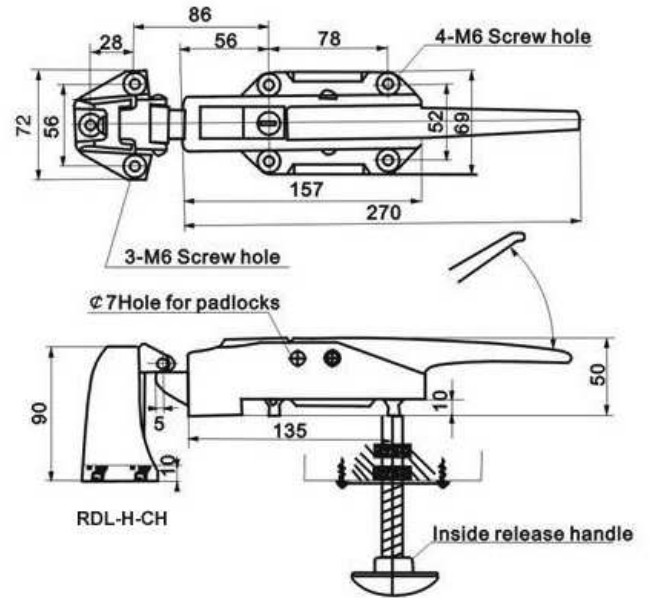
Code	Description	Material
DX316-SLAM	Non-locking slam latch	316 S/Steel

Note: Specifications can change from time to time without notice.  
Cut-outs & construction should only be done with the products onsite.

# PULL HANDLES

## REFRIGERATOR DOOR SLAM LOCK

- Minimal force required to pull handle
- Internal push button release for safe, easy, quick exit
- Can be used for right-hand & left hand door
- Reliable, self-closing action, providing positive air-tight closure
- Two strike options for inline and offset door and frame
- Adjustable solid head strike
- Zinc Chrome



Code	Catch Height	Material / Finish
RDL-H-CH	High - Offset door / frame	Zinc / Chrome
RDL-L-CH	Low - Inline door / frame	Zinc / Chrome