

## **03 LOCKING ACCESSORIES**

## **Pages**

Single Point Cams	2
Three Point Cams For Eyelet Rods	2
Eyelet Locking Rods & Pins	3
Three Point Locking Kit	4
Spring Loaded Snib Slam Catches	5
Three Point Cams For Roller Rods	6
Adaptors For Roller Rods	6
Roller Rods	7
Guides To Hold Rods In Position On Door	8
Rotary (Burst) Latches	9
Extension For M10 8mm Square Shafts	10
Internal Handle To Fit 8mm Square Shafts	10
Flat Rod Setup	11

# **03 LOCKING ACCESSORIES**



# LOCKING ACCESSORIES

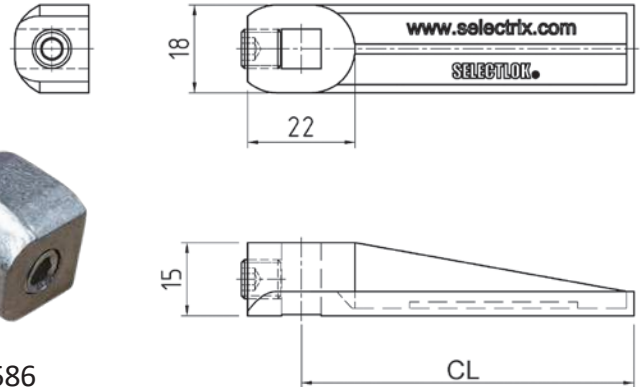
## SINGLE POINT CAMS FOR 8mm SHAFT ZINC



1000-1585

1000-1584

1000-1586

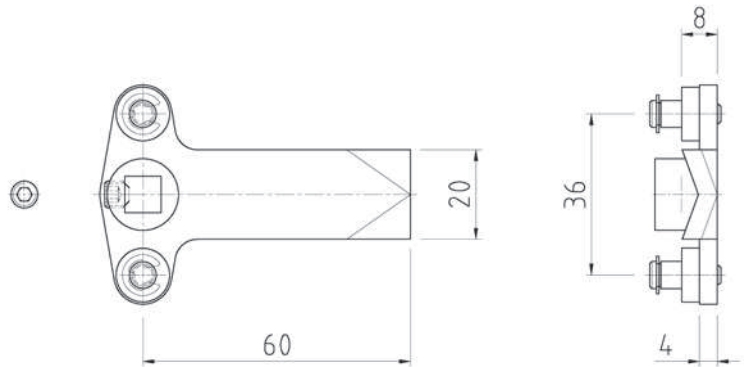


- Suits 8mm square shaft
- Adjustable cam height (“grip”)
- Grub screw fastening
- Zinc

Code	CL (mm)	Material
1000-1585	45	Zinc
1000-1584	68	Zinc / Chrome
1000-1586	68	Zinc

## THREE POINT CAMS FOR 8mm SHAFT SUIT EYELET RODS ZINC

- Suits 8mm square shaft
- Adjustable cam height (“grip”)
- Suits eyelet rods
- Solid boss
- Grub screw fastening
- Zinc or 304 stainless steel



Code	CL (mm)	Material
1000-1588	60	Zinc
MS1000-1588	60	Zinc
1000-1588-SS	60	304 S/Steel



1000-1588

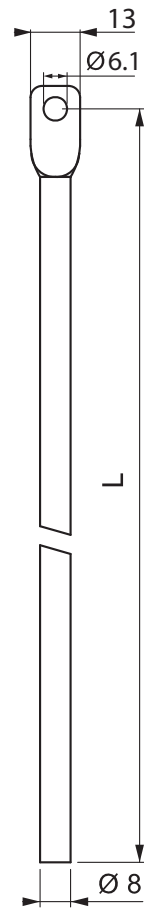


MS1000-1588

# LOCKING ACCESSORIES

## EYELET RODS

- 8mm diameter rods
- Suit 1000-1588 cams
- Many different lengths available
- Mild Steel / Zinc or 304 Stainless Steel
- Suitable for use with three point cams & Folding T Handles



Code	Length (mm)	Material
ROD312E	312	Zinc
ROD350E	350	Zinc
ROD400E	400	Zinc
ROD600E	600	Zinc
ROD700E	700	Zinc
ROD800E	800	Zinc
ROD900E	900	Zinc
ROD1000E	1000	Zinc
ROD1100E	1100	Zinc
ROD1200E	1200	Zinc
ROD1300E	1300	Zinc
ROD800ESS	800	304 S/Steel
ROD1200ESS	1200	304 S/Steel
10502-PIN	Pin & clip to secure eyelet rods	

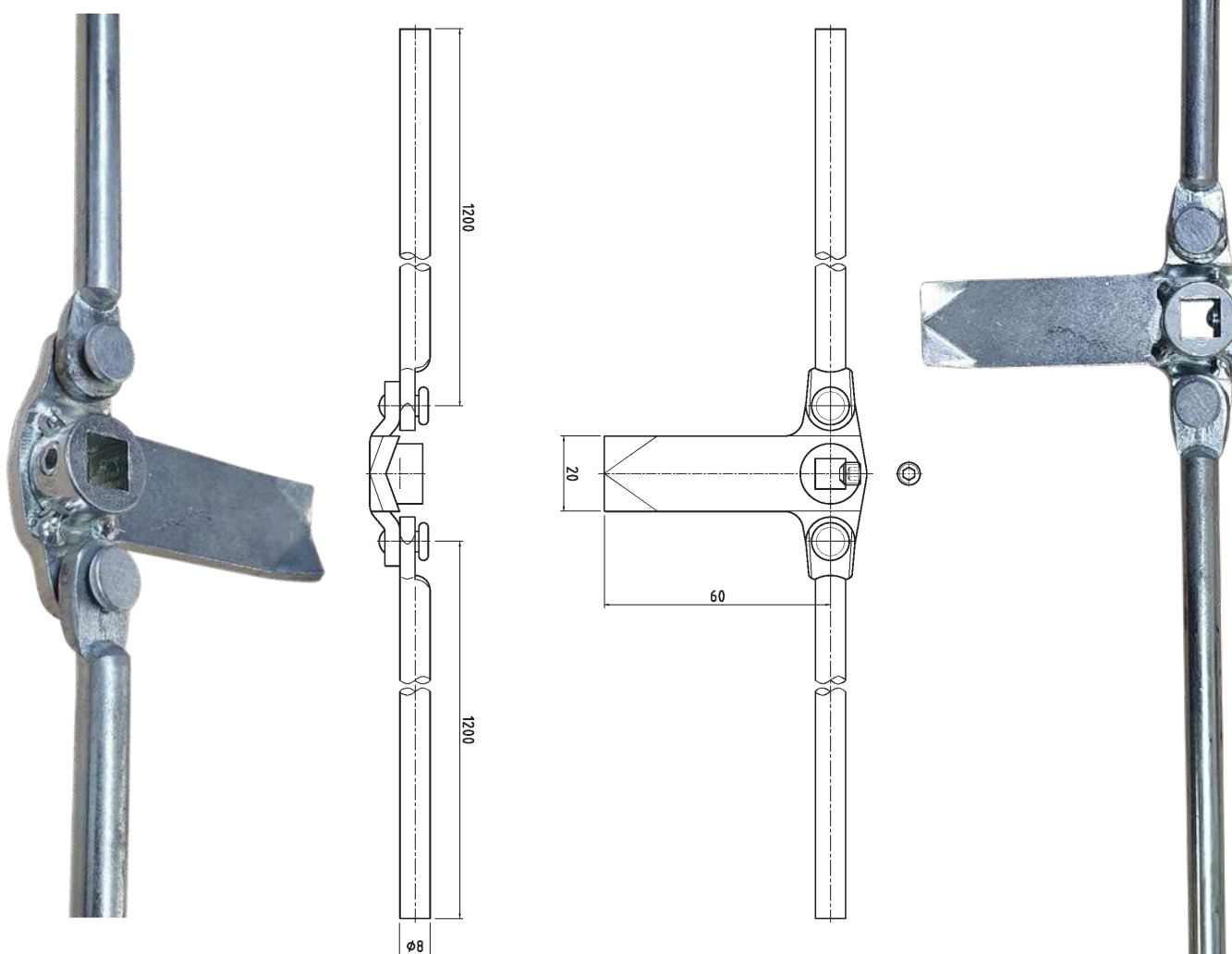


10502-PIN

# LOCKING ACCESSORIES

## THREE POINT CAM AND ROD KIT FOR 8mm SHAFT ZINC

- 1000-1588 cam + ROD1200E rods pre-assembled
- Suits 8mm square shaft on swing handles, L- and T-handles
- Adjustable H-Dimension
- Solid boss with grub screw fastening
- Suits doors up to 2400mm high (cut rods to required length)
- Steel / Zinc



Code	Description	Material / Finish
1000-1589-1200E	3 point locking kit	Steel / Zinc

# LOCKING ACCESSORIES

## SPRING LOADED SLAM LATCH

### ZINC

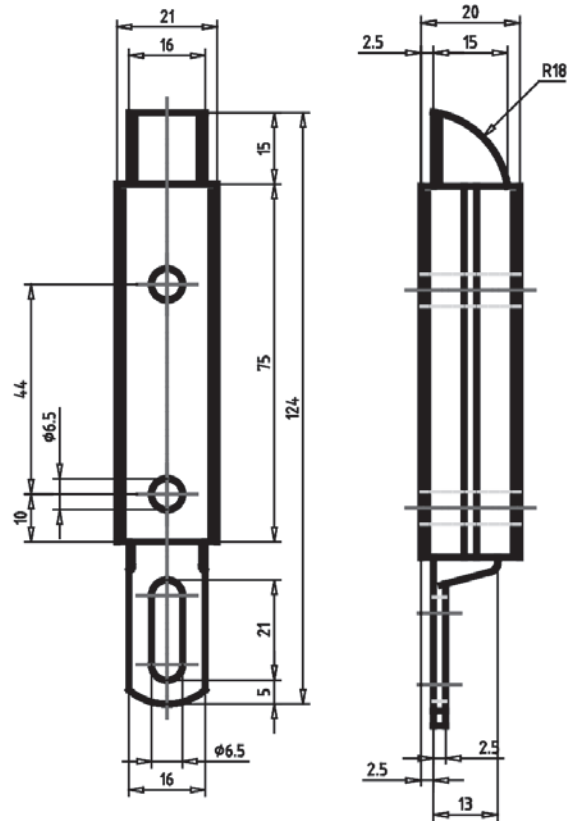
- Spring loaded slam latches
- Use rods or cables to retract the slam snib
- Fabricate a strike plate (e.g. angle or flat bar) for the slam snib to latch behind when door closed
- Slam function makes doors easier to use than doors with locking rods only:
  - When using rods only the handle has to be rotated to unlock position to close the door, otherwise rods will hit the door jam and damage cladding (e.g. ACM).
  - With spring loaded slam latches the door can be closed regardless of handle state (locked / unlocked).
- Steel zinc



229-9001  
229-9001-0523



229-9001-0523-C



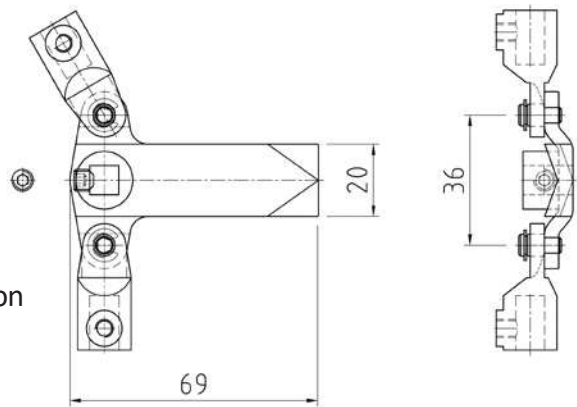
Code	Description	Material / Finish
229-9001	Spring loaded slam latch	Steel / Zinc
229-9001-0523	Spring loaded slam latch	Steel / Zinc
229-9001-0523-C	Spring loaded slam latch with curved tail	Steel / Zinc

Note: Specifications can change from time to time without notice.  
Cut-outs & construction should only be done with the products onsite.

# LOCKING ACCESSORIES

## THREE POINT CAMS FOR 8mm SHAFT FOR ROLLER TIP RODS

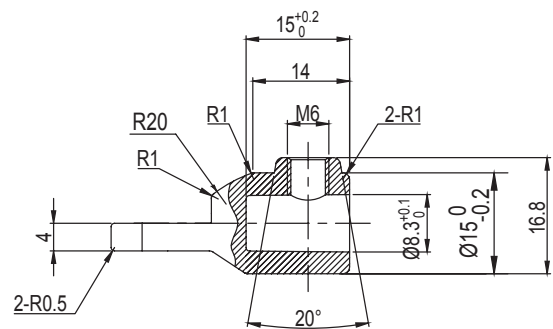
- Suits 8mm square shaft; Swing Handles, L- and T-handles
- Rod adaptors fit 8mm Dia rods
- Solid boss with grub screw fastening for adjustable H-Dimension
- Steel / Zinc or 304 stainless steel



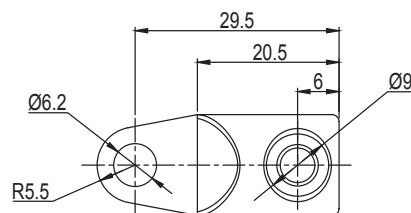
Code	Description	Material / Finish
1000-1587	3 point cam with rod adaptors	Steel / Zinc
1000-1587-SS	3 point cam with rod adaptors	304 S/Steel

## ROD ADAPTOR EYELET END

- For 8mm diameter rods
- Grub screw fastening
- Zinc or 304 stainless steel

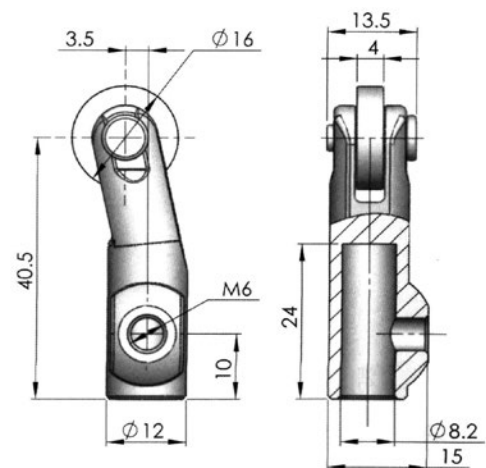
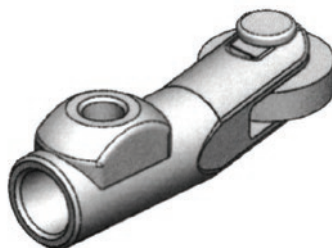


Code	Description	Material / Finish
RODADAPT	Rod adaptor	Steel / Zinc
RODADAPT-SS	Rod adaptor	304 S/Steel



## ROLLER END

- For 8mm diameter rods
- Zinc Body
- Polyamide Roller



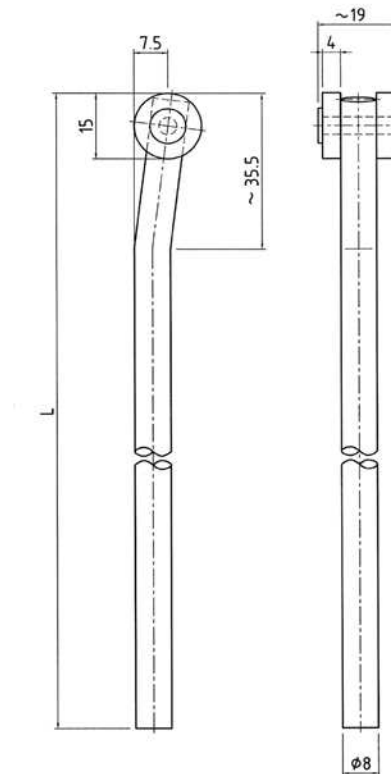
Code	Description	Material
RG007	Roller End	Zinc / Polyamide

# LOCKING ACCESSORIES

## DOUBLE ROLLER TIP RODS

- 8mm diameter rod
- Various lengths available
- Zinc or 304 stainless steel

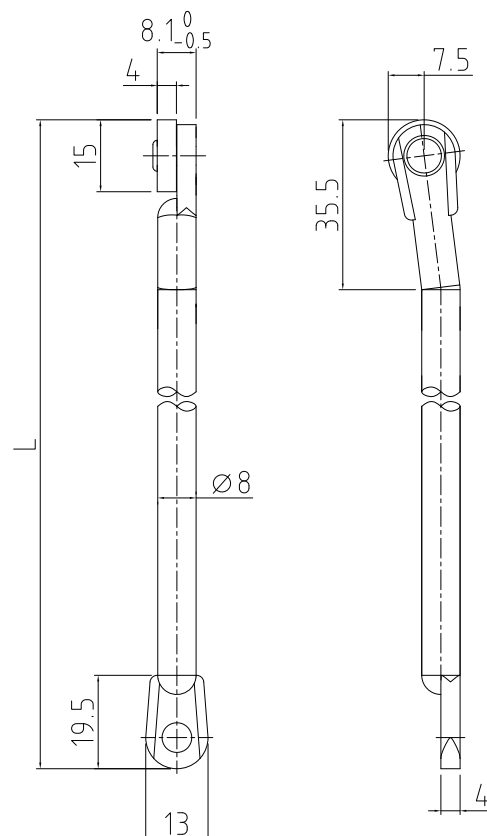
Code	Length	Material / Finish
ROD400R	400mm	Steel / Zinc
ROD600R	600mm	Steel / Zinc
ROD700R	700mm	Steel / Zinc
ROD800R	800mm	Steel / Zinc
ROD850R	850mm	Steel / Zinc
ROD900R	900mm	Steel / Zinc
ROD1000R	1000mm	Steel / Zinc
ROD1100R	1100mm	Steel / Zinc
ROD1200R	1200mm	Steel / Zinc
ROD600RSS	600mm	304 S/Steel
ROD700RSS	700mm	304 S/Steel
ROD800RSS	800mm	304 S/Steel
ROD900RSS	900mm	304 S/Steel
ROD1000RSS	1000mm	304 S/Steel
ROD1100RSS	1100mm	304 S/Steel
ROD1200RSS	1200mm	304 S/Steel



## SINGLE ROLLER TIP ROD

- 8mm diameter rod
- Single roller
- Zinc

Code	Length	Material
ROD251.5EE	251mm	Zinc

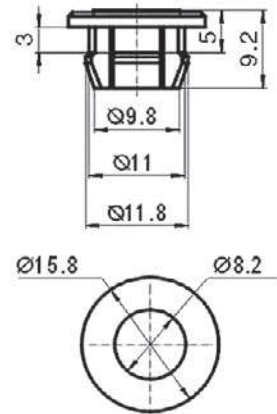


# LOCKING ACCESSORIES

## ROD GUIDE

### CLIP THROUGH PANEL

- Clip through up to 3mm thick panel
- Suits up to 3mm panel and 8mm Dia rod
- Nylon

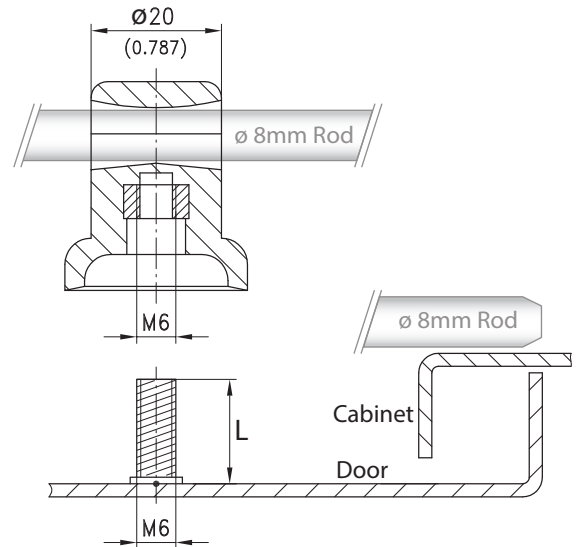
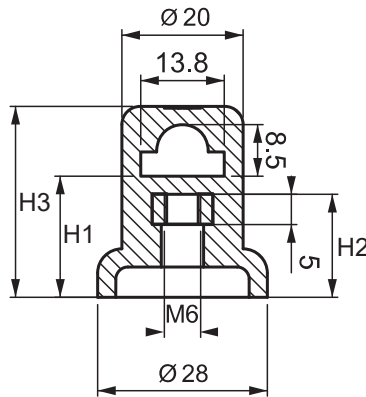


Code	Description
RG008	Through Panel Rod Guide

## ROD GUIDE

### SURFACE MOUNT SCREW ON

- Require M6 weld stud on inside of door for mounting
- Rod guide / standoff for 8mm round rod
- Polyamide
- We stock M6 threaded weld studs in steel, aluminium and 304 S/steel to suit door material



Code	H1 Rod Latching Offset to Mounting Surface (mm)	H3 Overall Height (mm)	H2 Weld Stud Screw Length (mm)
RG020	20	32	16
RG024	24	36	25
RG026	26	38	25
200-3625.51	26	38	20
RG028	28	40	25

F-WS-M6xXX-### M6 Weld stud. Add Screw length required: XX(mm).  
Add code suffix ##: CC=Copper Coated Steel, SS=304S/steel, ALI=Aluminium



# LOCKING ACCESSORIES

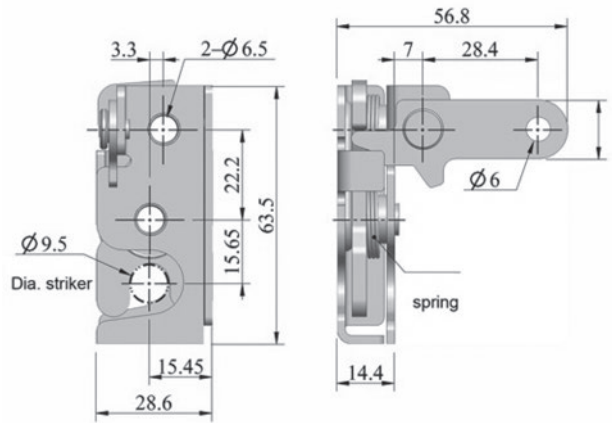
## ROTARY (BURST) LATCHES

- Can be actuated by cables, rods, or motorised device (e.g. solenoid, actuator)
- Two stage action
- 2x 6.50mm mounting holes
- Strike bolt upon request
- Two-stage action
- Zinc plated steel, interlube internal parts
- Many different models available with different arm configurations, cable attachments, etc



BURST401EL

BURST401ER



BURST404ER

Code	Description	Actuation
BURST401EL*	Burst latch - left actuator	Pull lever towards latch
BURST401ER*	Burst latch - right actuator	Pull lever towards latch
BURST404ER*	Burst latch - top actuator	Pull lever away from latch

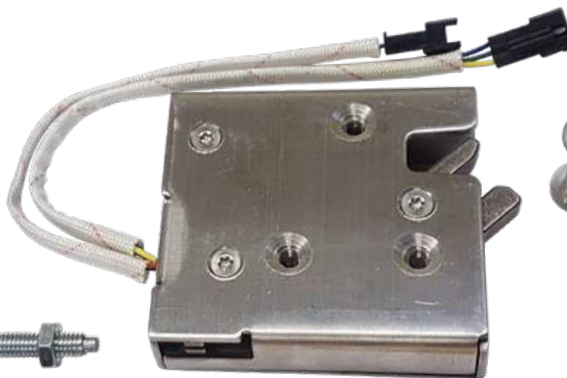
\*Special order product

## ELECTRONIC ROTARY (BURST) LATCHES

- See Section 19: 3-4 for electronic rotary latch options



RL-CABLE-2



RL-SOL-20S-HD



Strike bolt included

Note: Specifications can change from time to time without notice.  
Cut-outs & construction should only be done with the products onsite.

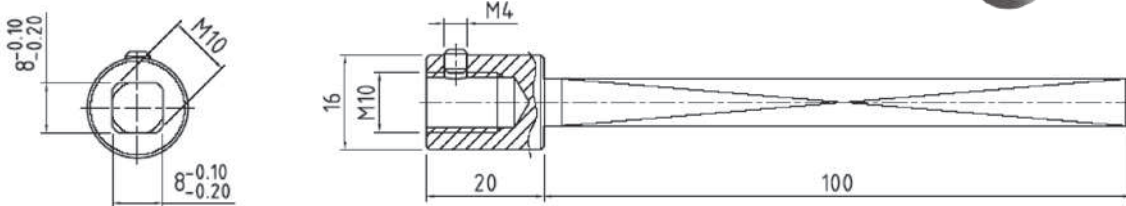
**SELECTLOK**  
NEW ZEALAND LTD

# LOCKING ACCESSORIES

## SHAFT EXTENSION

### FOR M10 8mm SQUARE SHAFT

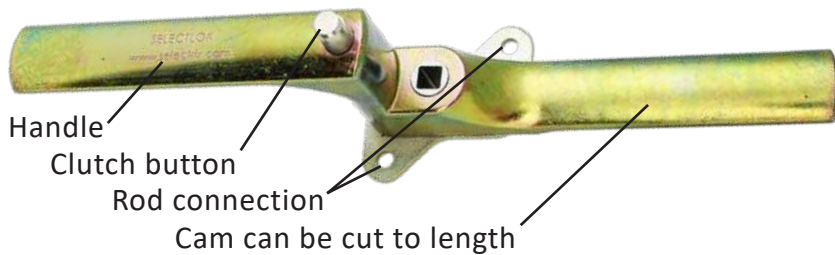
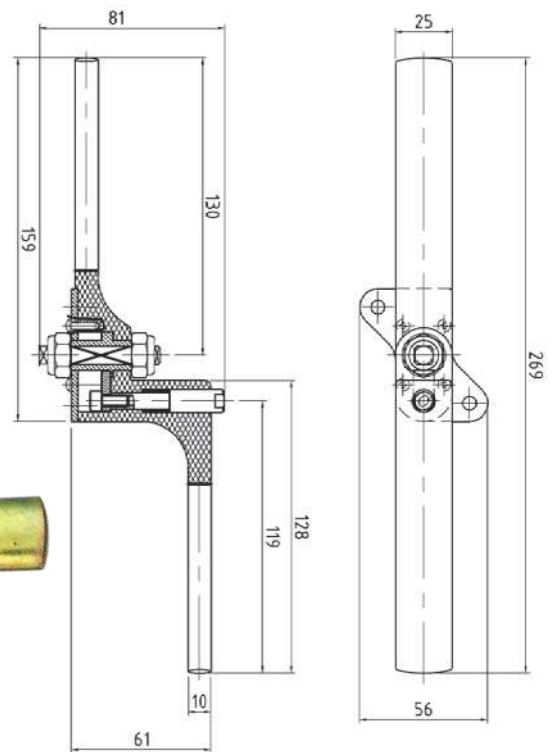
- Extension for M10 threaded 8mm square shafts
- Grub screw secures shaft extension onto another M10 threaded 8mm square shaft
- Suits swing handles
- Steel / Zinc



Code	Description
PI5270	8mm Square threaded shaft extension

## EMERGENCY HANDLE THREE POINT CAM & INTERNAL HANDLE LOCK OVERRIDE CLUTCH MECHANISM

- Single or three point locking compatible
- Push button clutch disengages square shaft and enables three point unlocking from inside door
- Suits 8mm square shaft: L- and T-handles
- Very heavy duty construction
- Steel / Zinc

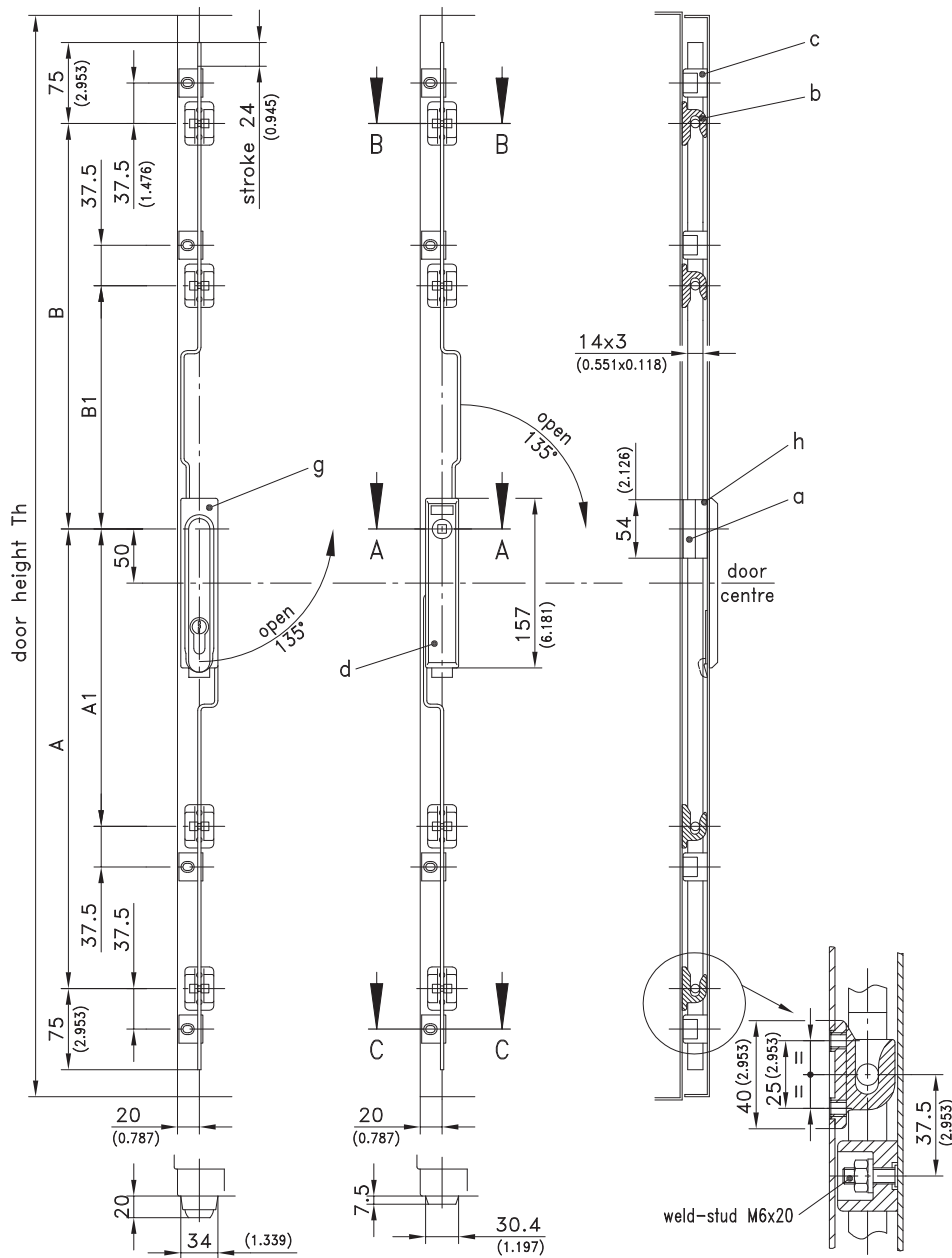


Code	Description
P2535	Lock override handle & 3 Point Locking Cam with Clutch Mechanism

# LOCKING ACCESSORIES

## FLAT ROD SETUP

Use with Dirak Swing Handles, T-Handles, L-Handles, or Insert Drive type plates



Code	Description	Door Height
208-9101	Flat Rod Control. L/H or R/H Doors	800 - 1200mm
208-9802	Flat Rod Control. L/H or R/H Doors	1900 - 2200mm



Special order product - Contact us for flat rod handle options and roller catch options

Note: Specifications can change from time to time without notice. Cut-outs & construction should only be done with the products onsite.