

02 L AND T HANDLES

	Pages
L & T Handle Information	2 - 4
Cabinet T Handles	5 - 6
Cabinet L Handles	7 - 9
Cabinet Compression L Handles	10 - 11
Canopy T Handles	12 - 15
Canopy Pop-Up T Handles	16 - 18
Compression Accessory	19
Refrigerator Door Lock	20

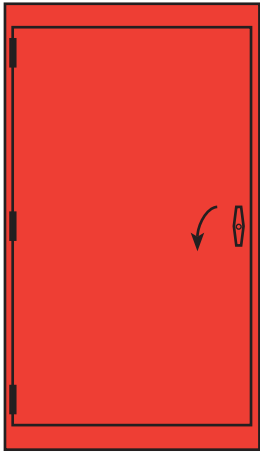
02 L AND T HANDLES



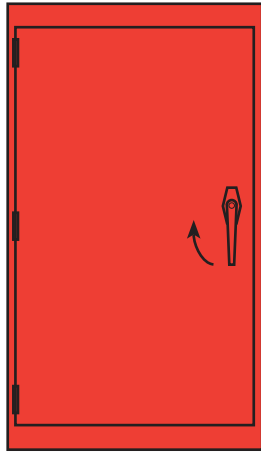
L- AND T-HANDLES

HANDLE ROTATION EXPLAINED

Left Hand handles are used on doors hinged on the left:

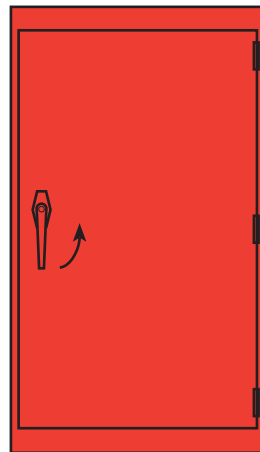


Showing LH T-Handle
(Anti-clockwise to open)

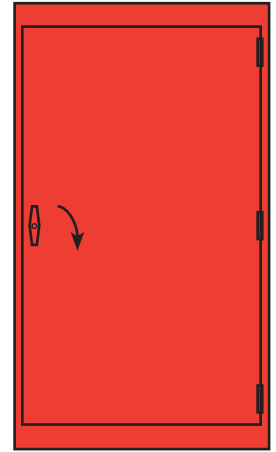


Showing LH L-Handle
(Clockwise to open)

Right Hand handles are used on doors hinged on the right:



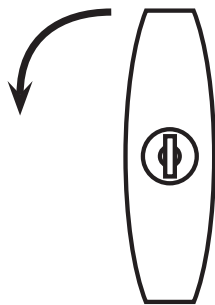
Showing RH L-Handle
(Anti-clockwise to open)



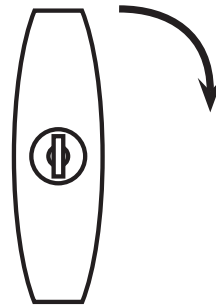
Showing RH T-Handle
(Clockwise to open)

T HANDLES:

LH opens anti-clockwise

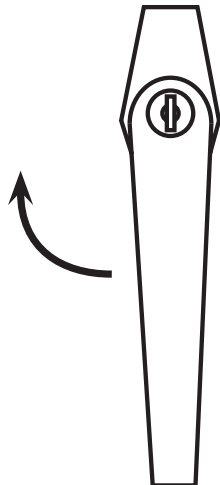


RH opens clockwise

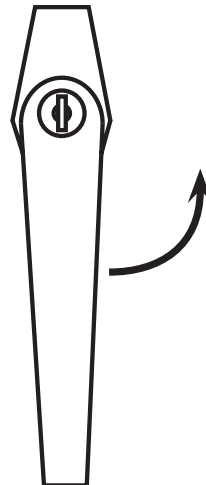


L HANDLES:

LH opens clockwise

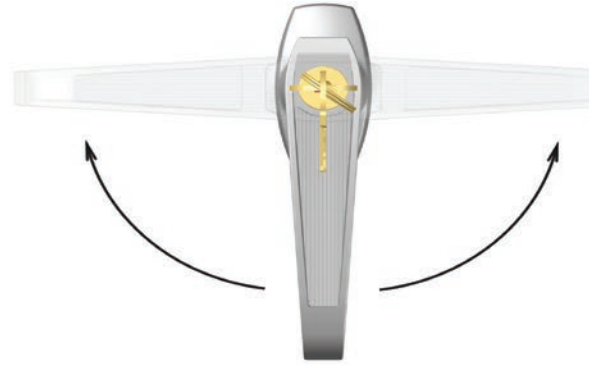


RH opens anti-clockwise



L- AND T-HANDLES

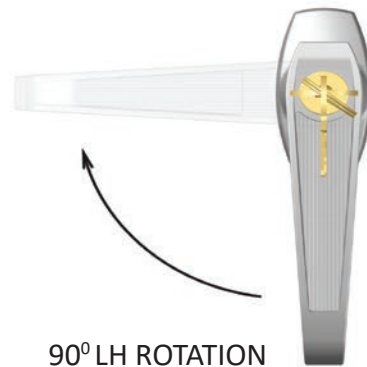
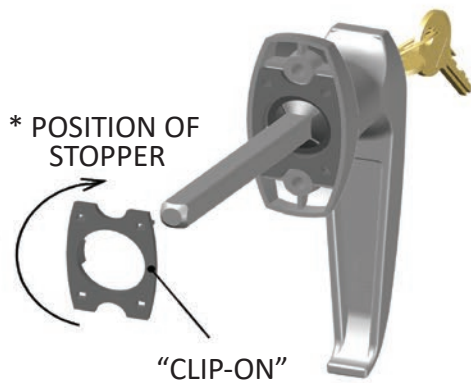
L-HANDLE ROTATION EXPLAINED



90° LH
ROTATION

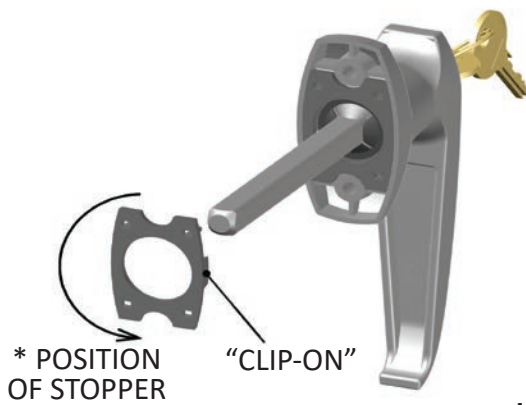
90° RH
ROTATION

WITHOUT "CLIP-ON"



90° LH ROTATION

INSERT "CLIP-ON" AS SHOWN TO GET
90° LH ROTATION

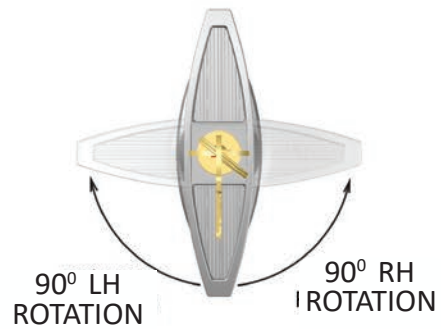


90° RH
ROTATION

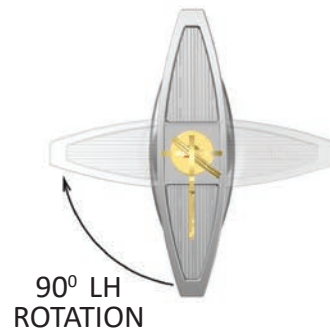
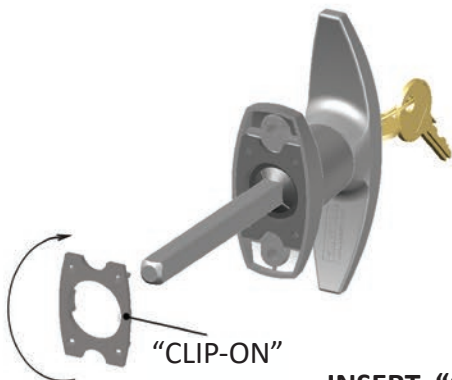
INSERT "CLIP-ON" AS SHOWN
TO GET 90° RH ROTATION

L- AND T-HANDLES

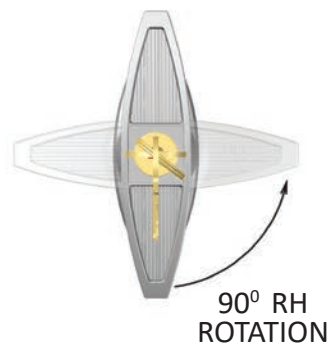
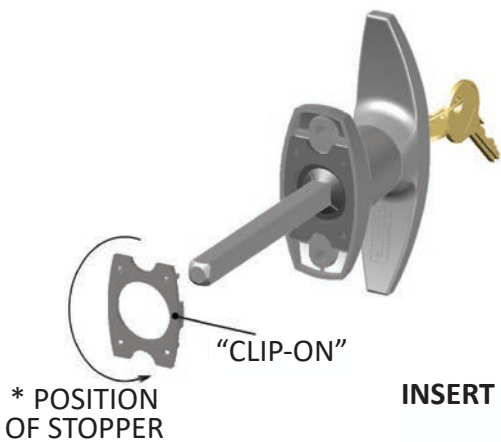
T-HANDLE ROTATION EXPLAINED



WITHOUT "CLIP-ON"



INSERT "CLIP-ON" AS SHOWN TO GET 90° LH ROTATION



INSERT "CLIP-ON" AS SHOWN TO GET 90° RH ROTATION

FAST CONVERSION TO 90° LH/RH ROTATION BY INSERTING SUPPLIED "CLIP-ON". NO NEED FOR SCREW TO RESTRICT ROTATION

L- AND T-HANDLES

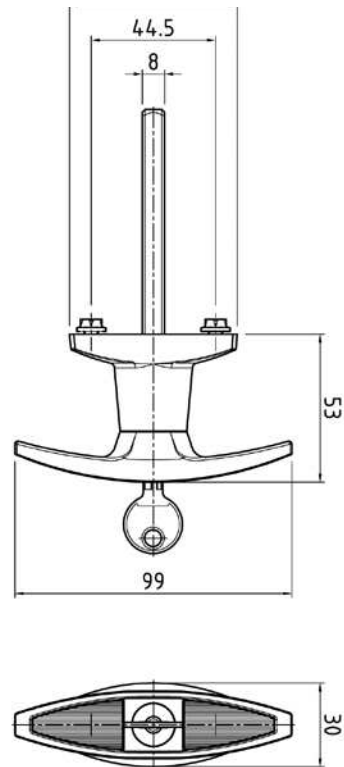
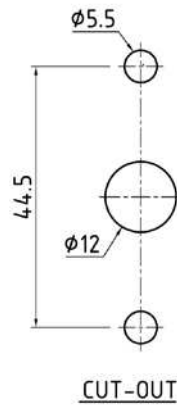
CABINET T-HANDLES

ZINC CHROME

- Rear fixing T-handle
- Universal Rotation (one model does all):
 - 180° Left to Right
 - 90° Left (using clip included)
 - 90° Right (using clip included)
- Variety of key numbers available
- High quality chrome plating
- Zinc Chrome handle
- 8mm Steel Zinc shaft - not threaded

Accessories available:

- **1000-1586** Single point
- **1000-1587** 3 point with Rod Adapters
- **1000-1588** 3 point without Rod Adapters
- **1000-1592** Internal handle
- **P2535** Emergency internal handle
- **1000-1589-1200E** 2x rods + 3 point cam



Code	Key Number
ABTU00B	Non Locking
ABTU01B	CL001
ABTU02B	92268
ABTU07B	CL003
ABTU11B	144

Note: Specifications can change from time to time without notice.
Cut-outs & construction should only be done with the products onsite.

L- AND T-HANDLES

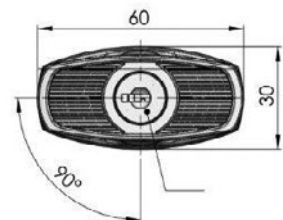
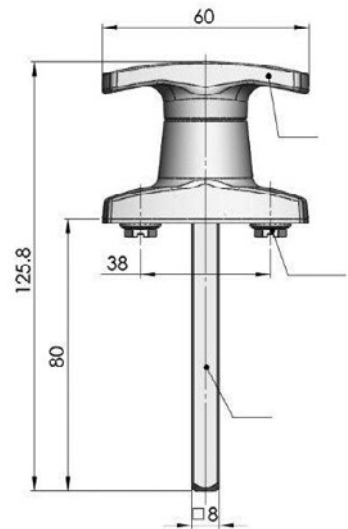
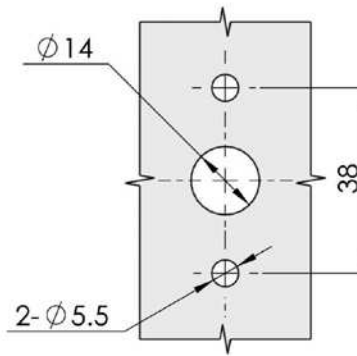
SMALL CABINET T-HANDLES

ZINC CHROME

- Rear fixing T-handle
- Universal Rotation (one model does all):
 - 180° Left to Right
 - 90° Left (adjust screw at rear)
 - 90° Right (adjust screw at rear)
- Variety of key numbers available
- High quality chrome plating
- Zinc Chrome handle
- 8mm Steel Zinc shaft - not threaded

Accessories available:

- **1000-1586** Single point
- **1000-1587** 3 point with Rod Adapters
- **1000-1588** 3 point without Rod Adapters
- **1000-1592** Internal handle
- **P2535** Emergency internal handle
- **1000-1589-1200E** 2x rods + 3 point cam



Code	Key Number	Rotation	Shaft Type, Length
MS314-2	Non Locking	90 Degrees	Non Threaded, 45mm
MS314-2-TS	Non Locking	90 Degrees	M10 Threaded, 45mm
MS314-2-1	Non Locking	90 Degrees	Non Threaded, 80mm
MS314-1	92268	90 Degrees	Non Threaded, 45mm
MS314-1-TS	92268	90 Degrees	M10 Threaded, 45mm
MS314-1-1	92268	180 Degree	Non Threaded, 80mm

L- AND T-HANDLES

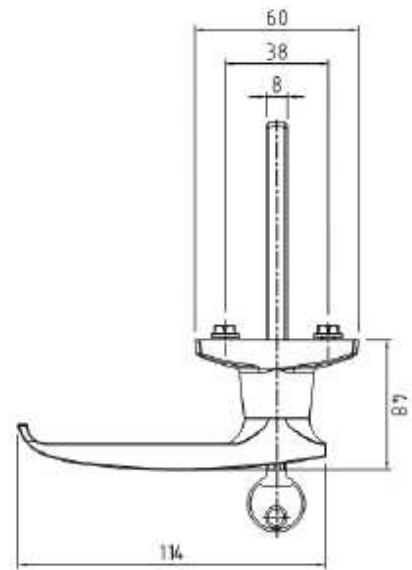
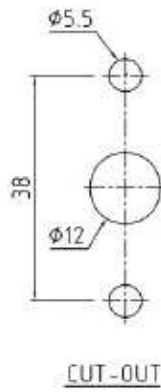
CABINET L-HANDLES

ZINC CHROME

- Rear fixing L-handle
- Universal Rotation (one model does all):
 - 180° Left to Right
 - 90° Left (using clip included)
 - 90° Right (using clip included)
- Variety of key numbers available
- High quality chrome plating
- Zinc Chrome handle
- 8mm Steel Zinc shaft - not threaded

Accessories available:

- **1000-1586** Single point
- **1000-1587** 3 point with Rod Adapters
- **1000-1588** 3 point without Rod Adapters
- **1000-1592** Internal handle
- **P2535** Emergency internal handle
- **1000-1589-1200E** 2x rods + 3 point cam



Code	Key Number
ABLU01B	CL001
ABLU02B	92268

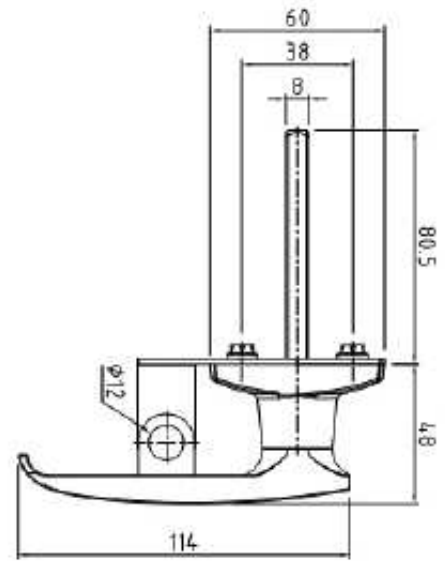
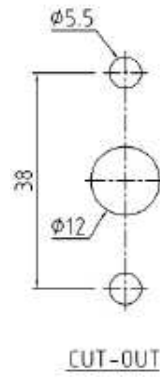
L- AND T-HANDLES

CABINET L-HANDLES PADLOCKABLE ZINC CHROME

- Rear fixing L-handle
- Universal Rotation (one model does all):
 - 180° Left to Right
 - 90° Left (using clip included)
 - 90° Right (using clip included)
- Variety of key numbers available
- High quality chrome plating
- Zinc Chrome handle
- 8mm Steel Zinc shaft - not threaded
- Stainless steel padlock bracket

Accessories available:

- **1000-1586** Single point
- **1000-1587** 3 point with Rod Adapters
- **1000-1588** 3 point without Rod Adapters
- **1000-1592** Internal handle
- **P2535** Emergency internal handle
- **1000-1589-1200E** 2x rods + 3 point cam



Handle supplied complete with bracket:

Code	Door Hinge	Shaft Typer, Length
MS315-2-A-Y-RH	Right Hand (Anti-clockwise unlock)	Non-Threaded, 80mm
MS315-2-A-Z-LH	Left Hand (Clockwise unlock)	Non-Threaded, 80mm

Padlock Bracket Only:

Code	Door Hinge
MS315-2A-Y-SS	Right Hand
MS315-2A-Z-SS	Left Hand

L- AND T-HANDLES

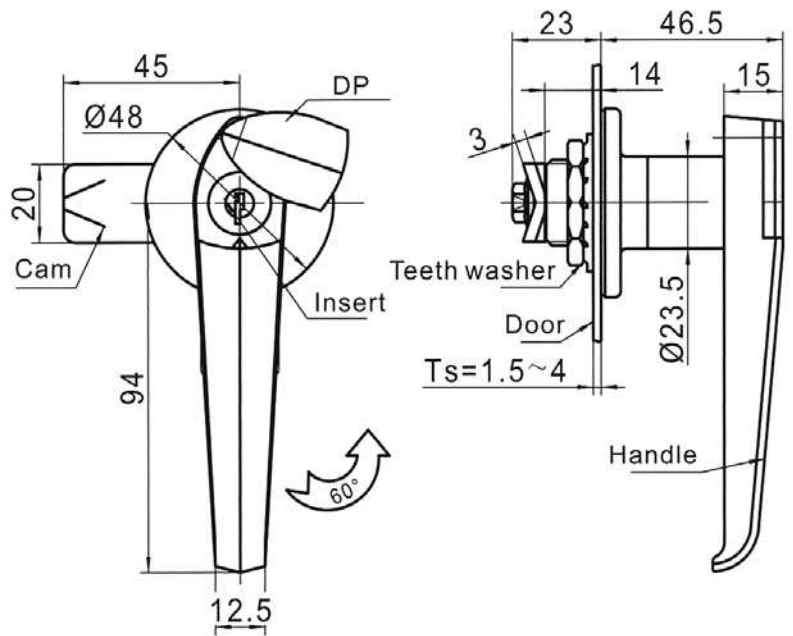
CABINET L-HANDLE

ZINC CHROME

- Rear fixing L-handle
- Left or Right hand
- Keyed K05
- Dust cover
- High quality chrome plating
- Zinc Chrome handle

Accessories available:

- **200-04##** Single point cam



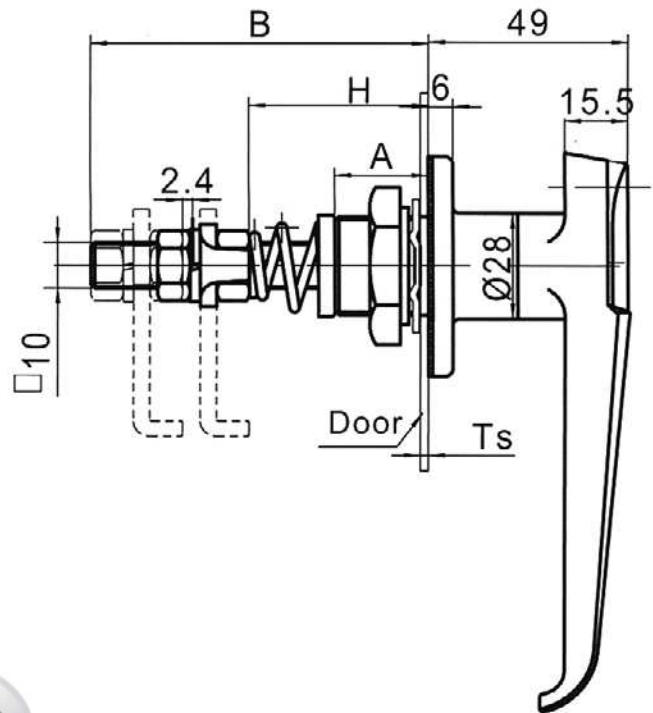
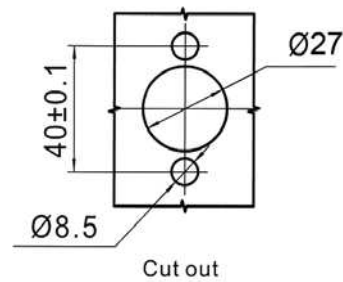
Code	Key Code
MS317	Keyed K05

L- AND T-HANDLES

CABINET L-HANDLE

KEY LOCKING COMPRESSION

ZINC CHROME



- Rear fixing compression L-handle
- Keyed K05
- Dust cover
- Fits door panel up to 8mm
- High quality chrome plating
- Zinc Chrome handle
- Cam Grip "H" = 45-58mm
- Cam Length = 45mm

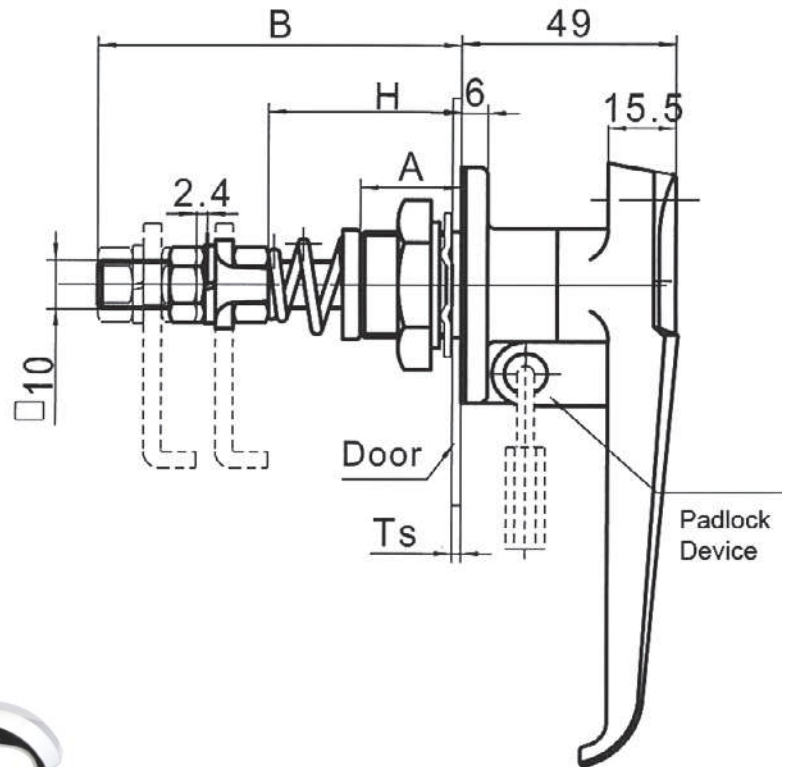
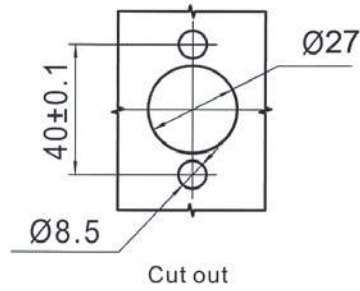


Code	Handedness	"A" (mm)	"B" (mm)
MS807-1-Y-ZINC	Right hand	23	83
MS807-1-Z-ZINC	Left hand	23	83

L- AND T-HANDLES

CABINET L-HANDLE KEY LOCKING PLUS PADLOCKABLE COMPRESSION ZINC CHROME

- Rear fixing compression L-handle
- Keyed K05 + Padlockable
- Dust cover
- Fits door panel up to 8mm
- High quality chrome plating
- Zinc Chrome handle
- Cam Grip "H" = 45-58mm
- Cam Length = 45mm



Code	Handedness	"A" (mm)	"B" (mm)
MS807-2-Y-ZINC	Right hand	23	83
MS807-2-Z-ZINC	Left hand	23	83

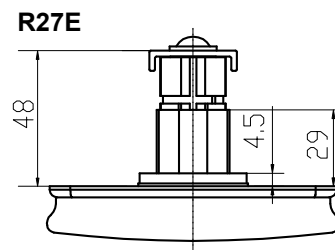
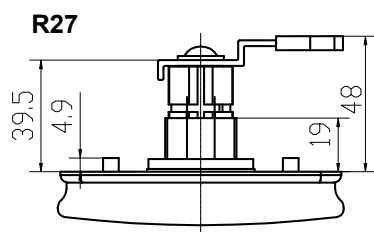
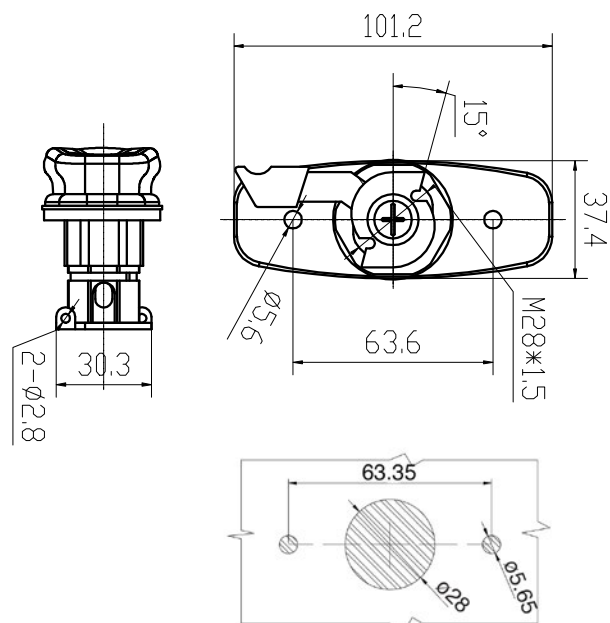
Note: Specifications can change from time to time without notice.
Cut-outs & construction should only be done with the products onsite.

L- AND T-HANDLES

R27 CANOPY TWIST T-HANDLES

ZINC BLACK

- New low profile twist T handles for hard lids, canopies, trailer doors.
- 45 degree handle rotation with spring return
- 50 unique key numbers available
- Hex lock nut plus two locking screw mounts for higher security
- Options of cams to suit either cables or rods to actuate rotary or slam latches
- Black powder coated finish
- Customisable - get your own logo on the handle



R27 with R27-CAM-CAB
Up to 10mm thick door, rear fixing screws



R27E
Up to 19mm thick door, front fixing holes



R27 has rear fixing screws



R27E has front fixing holes

Code	Description	Screw Mounting
R27	Twist T Handle only, suits 10mm panel thickness	Lock nut + Rear screws
R27E	Twist T Handle with 2 point cable cam (without internal release lever) suits 19mm panel thickness.	Lock nut + Front screws

Contact us to get your logo on the handle

L- AND T-HANDLES

R27 CANOPY TWIST T-HANDLES

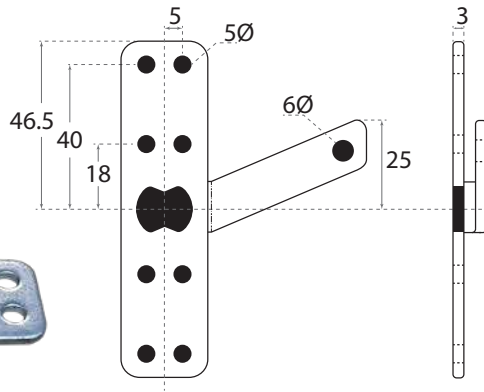
ACCESSORIES



R27-CAM-CAB



R27-CAM-ROD



R27-GASK-4

(Note: the gasket is assymetrical, so only fits one way around)



R27-CABLE15

Code	Description	Compatible with
R27-CAM-CAB	Two point cam to suit cables, with internal release lever	R27-CABLE15, RL-CABLE-3 + RL-G-20S-HD
R27-CAM-ROD	Two point cam to suit rod + spring loaded latch	ROD1000E + 229-9001
R27-GASK-4	4mm thick gasket for uneven mounting surfaces	e.g. Treadplate doors
R27-CABLE15	1.5m wire cables to suit R27-CAM-CAB	229-9001, BURST404ER

Showing R27E with R27-CABLE15 cables and 229-9001 slam latches - closed position



Showing R27E with R27-CABLE15 cables and 229-9001 slam latches - open position



See over page for further setup examples

Note: Specifications can change from time to time without notice. Cut-outs & construction should only be done with the products onsite.

L- AND T-HANDLES

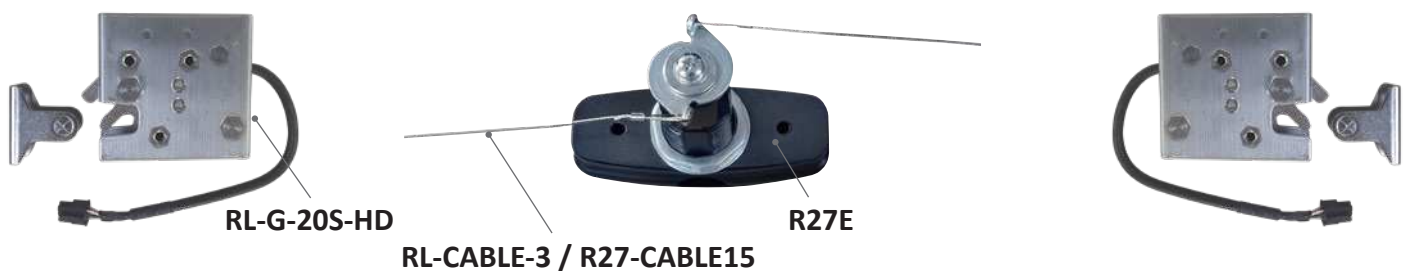
R27 CANOPY TWIST T-HANDLES

SETUP EXAMPLES

Below shows **R27** handle with **R27-CAM-ROD** suitable for use with rods and **229-9001** spring loaded latch



Below shows **R27E** handle with its cable cam and **R27-CABLE15** cables which can actuate a variety of different latch options: **BURST404ER** rotary latches, **229-9001** slam latches, or **RL-G-20S-HD** electronic latch (central locking)



L- AND T-HANDLES

CANOPY T-HANDLE

FIXED TYPE

ZINC BLACK

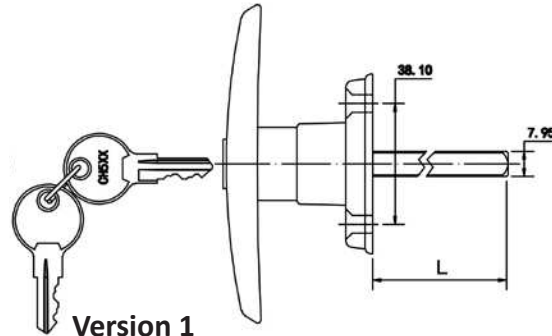
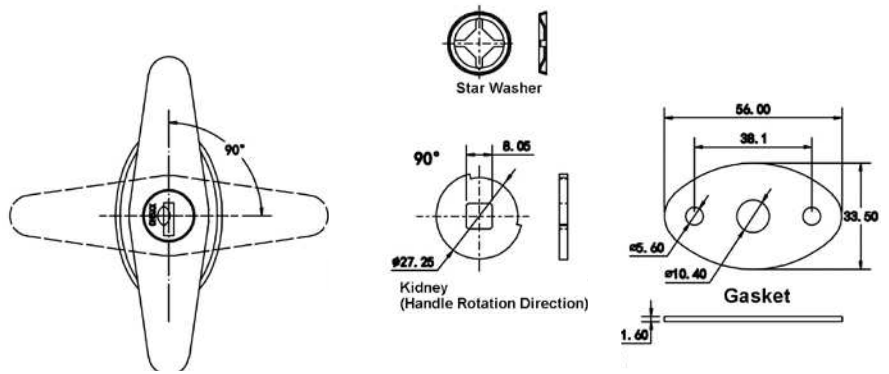
- Front or rear fixing T-handle
- Low profile for automotive (canopy) use
- Many key numbers available
- Black powder coated finish
- 8mm Steel Zinc shaft - not threaded: 50mm or 100mm long options

Accessories available:

- **1000-1586** Single point cam
- **1000-1587** 3 point cam with rod adapters
- **1000-1588** 3 point cam without rod adapters
- **P2535** Emergency internal handle
- **1000-1589-1200E** 3 point cam + 2 rods

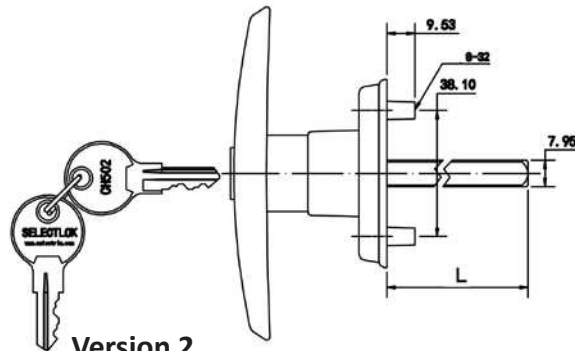


Showing **AL-T303L-R##BF**
Version 1 with 50mm shaft



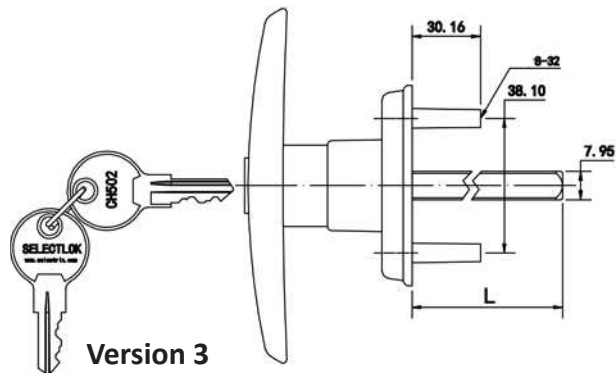
Version 1

Exterior Mounting Screws: 5.6mm Ø Through Hole



Version 2

Interior Mounting Screws: M5 x 10mm Female Thread



Version 3

Interior Mounting Screws: 8-32 x 30mm Female Thread

Code	Version (See Diagram)	Screw Mounting	Square Shaft Length (L)	Key Number
AL-T303L-R##BF	1	Front	50mm	Replace “##” in code with key number required:
AL-T303L-R##BF-100	1	Front	100mm	CH501, CH502, CH503
AL-T307L-R##B-1050	2	Rear 10mm (M5)	50mm	... CH510
AL-T307L-R##B-30100	3	Rear 30mm (UNC)	100mm	

F-PPM-8-32X5/8-SS screws available to suit rear fixing handles with imperial thread

Note: Specifications can change from time to time without notice.
Cut-outs & construction should only be done with the products onsite.

L- AND T-HANDLES

CANOPY T-HANDLE

POP UP

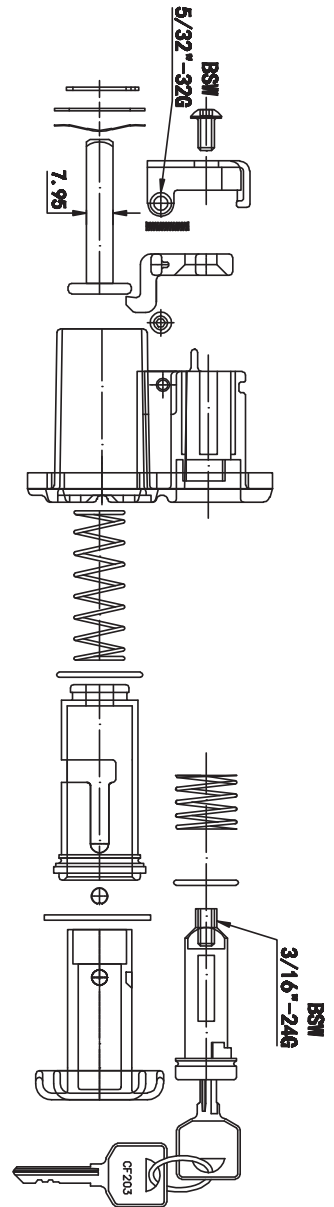
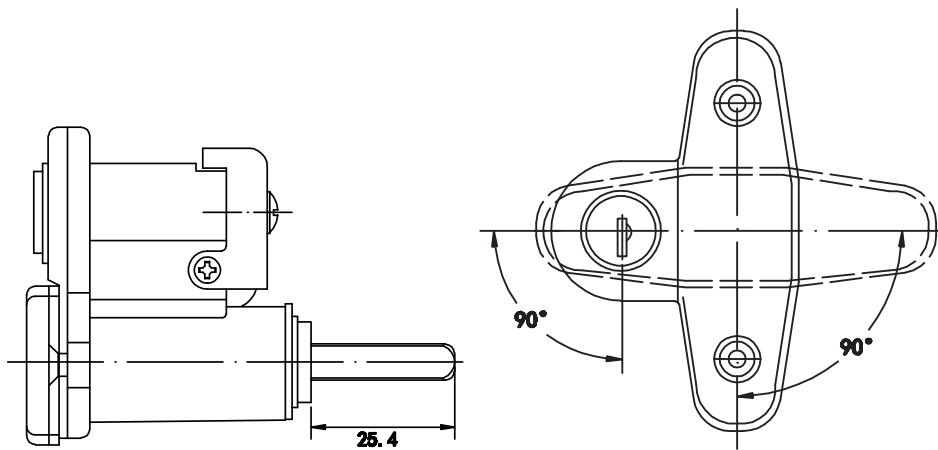
ZINC BLACK



- Pop up rear fixing T-Handle
- Flush profile for automotive (canopy) use
- Rubber sealing gasket
- Many key numbers available
- Black powder coated finish
- 8mm Steel Zinc shaft - not threaded: 25mm long

Accessories available:

- **1000-1586** Single point
- **1000-1587** 3 point with Rod Adapters
- **1000-1588** 3 point without Rod Adapters
- **1000-1589-1200E** 2x rods + 3 point cam



Code	Key Code	Direction To Open
T302L-CF203	CF203	CCW
T302L-CF204	CF204	CCW
T302L-CF205	CF205	CCW
T302L-CF206	CF206	CCW
T302L-CF207	CF207	CCW
T302L-MIXED-CW	MIXED	CW

L- AND T-HANDLES

CANOPY T-HANDLE

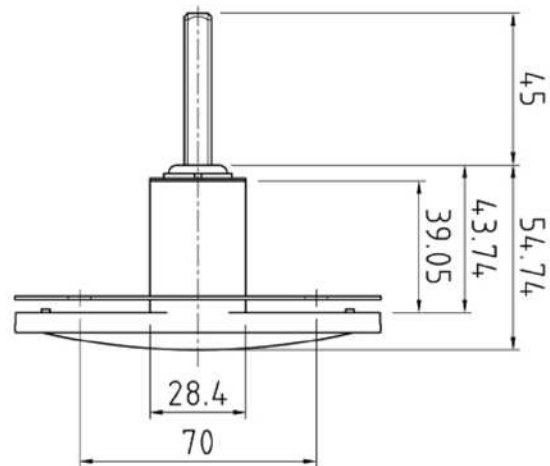
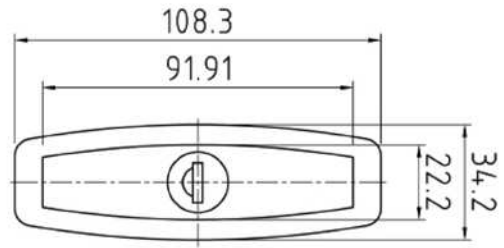
POP UP

ZINC BLACK

- Pop up front fixing T-Handle
- Flush profile for automotive (canopy) use
- Rubber sealing gasket
- Black powder coated finish
- 8mm Steel Zinc shaft - not threaded: 45mm long

Accessories available:

- **1000-1586** Single point
- **1000-1587** 3 point with Rod Adapters
- **1000-1588** 3 point without Rod Adapters
- **1000-1592** Internal handle
- **P2535** Emergency internal handle
- **1000-1589-1200E** 2x rods + 3 point cam



Code	Description
60026	Pop up T Handle

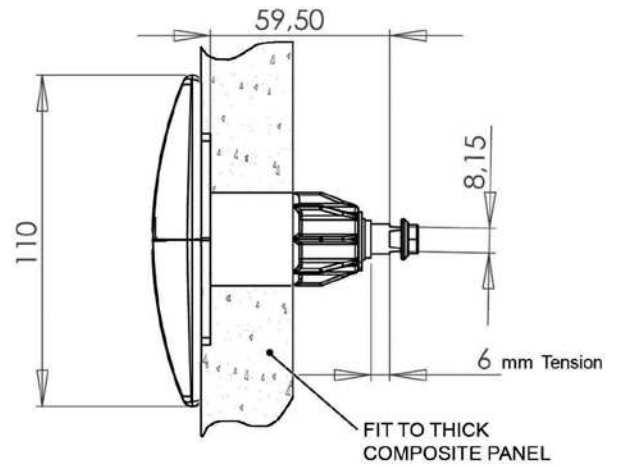
L- AND T-HANDLES

CANOPY T-HANDLE

POP UP

PLASTIC BLACK

- Pop up front fixing compression T-Handle
- Flush profile for automotive (canopy) use
- H-Dimension = 59.5mm
- Rubber sealing gasket
- Polyamide handle black
- Steel Zinc cam



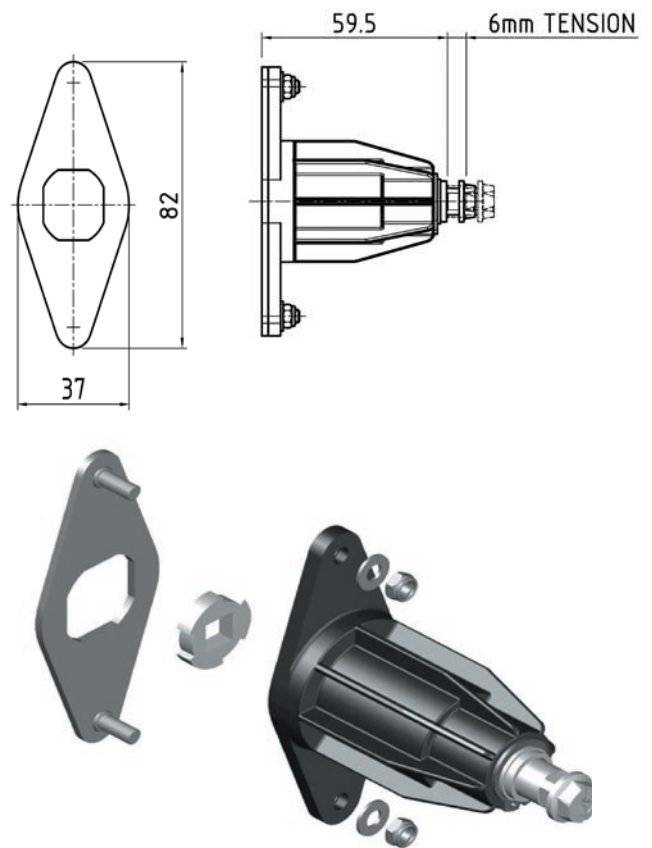
Code	Description
2007-20S4-840	Handle
4309-Z000-8001	Key Barrel
4310-Z000-8001	Key
200-0418-07-07101	Cam straight (no step)

L- AND T-HANDLES

COMPRESSION ACCESSORY

ZINC BLACK

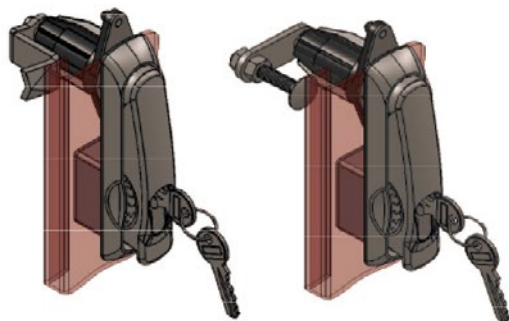
- Rear fixing
- 6mm compression action on closing and opening
- Suitable for use with most T-handles, L-handles swing handles, quarter turns
- Zinc black and steel zinc shaft
- Use with adjustable cam or single point cam (various 'H' dimensions available)



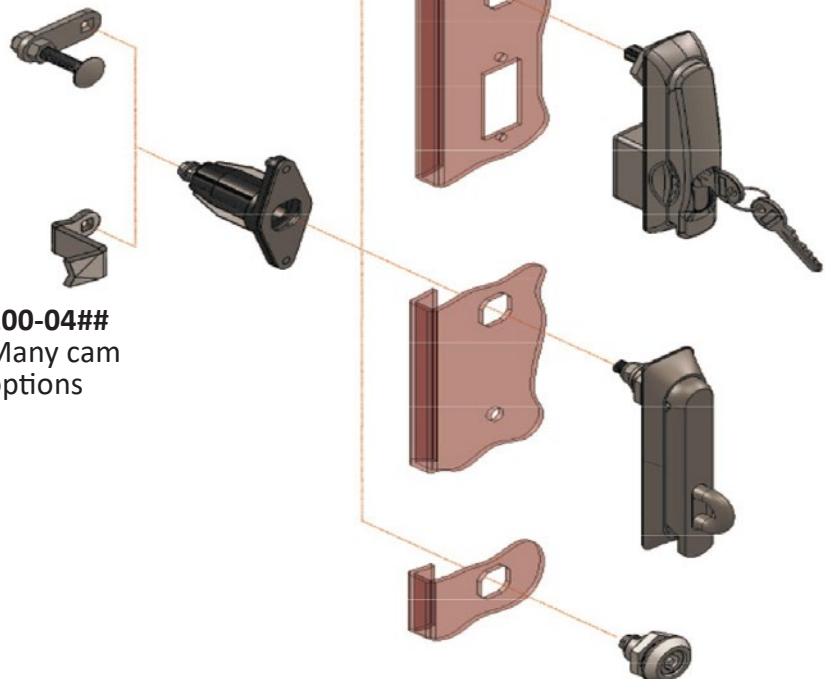
Code	Description
PI5124	Compression accessory

200-04##
Many cam options

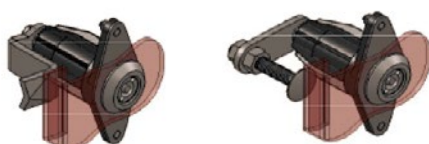
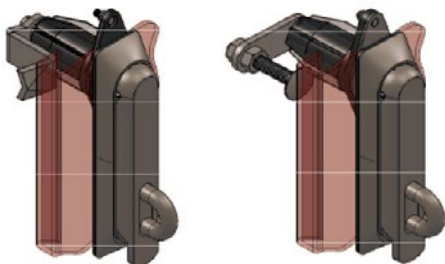
PI5124-09
Adjustable cam



PI5124-09
Adjustable cam



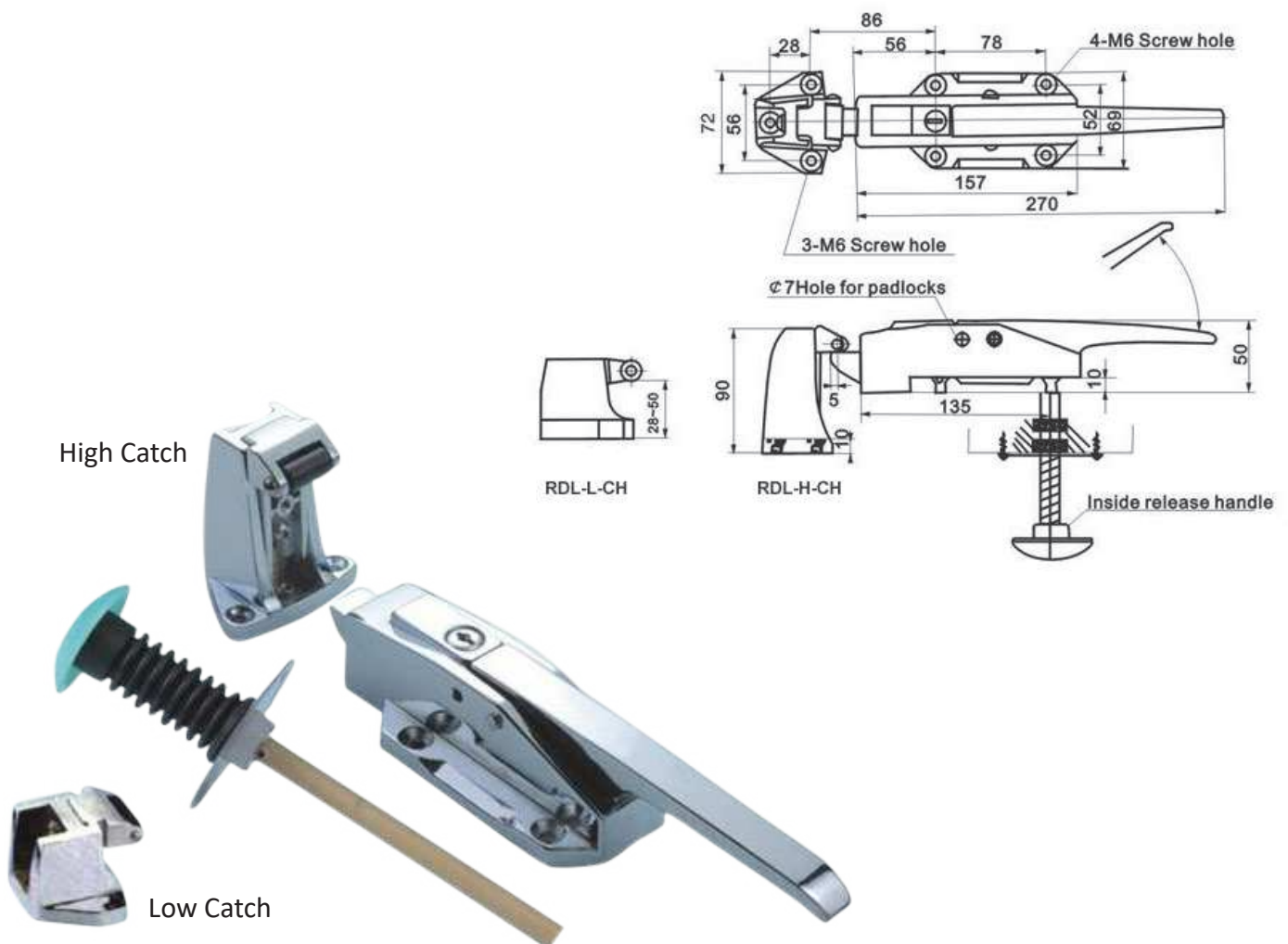
200-04##
Many cam options



L- AND T-HANDLES

REFRIGERATOR DOOR LOCK

- Minimal force required to pull handle
- Internal push button release for safe, easy, quick exit
- Can be used for right-hand & left hand door
- Reliable, self-closing action, providing positive air-tight closure
- Two strike options for inline and offset door and frame
- Adjustable solid head strike
- Zinc Chrome



Code	Catch Height	Material / Finish
RDL-H-CH	High - Offset door / frame	Zinc / Chrome
RDL-L-CH	Low - Inline door / frame	Zinc / Chrome